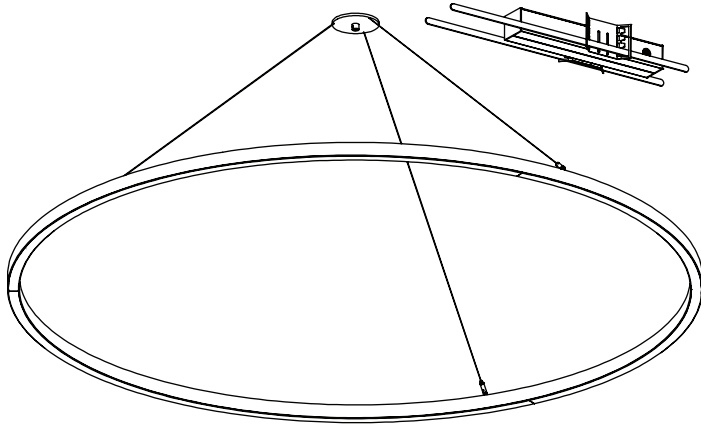


WARNING: Disconnect main power at the source prior to installation! Only qualified electricians should install Delray Lighting products.

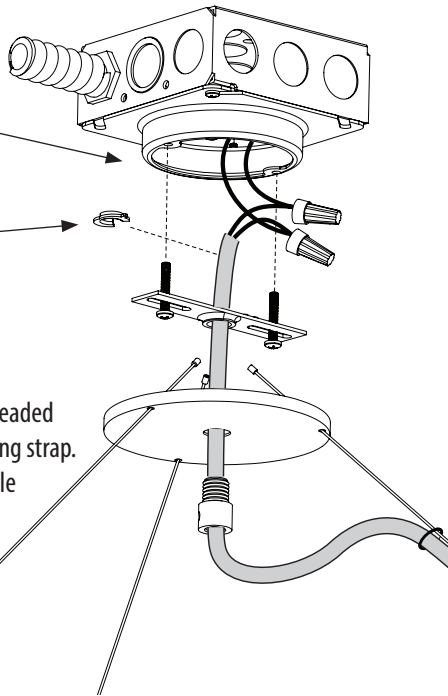


Attach mounting strap to octagonal box or 3" mud ring (by others).

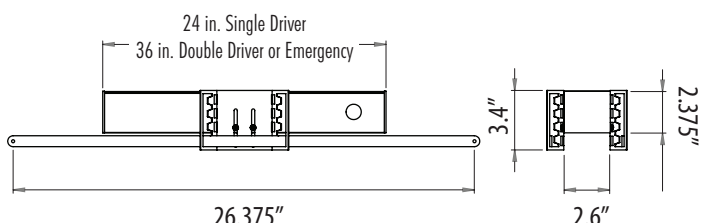
Use provided crimp strain relief on lamp cord.

Aircraft cables with stops inside canopy.

Feed lamp cord through threaded nipple, canopy, and mounting strap. Use provided O-rings or cable ties to run cord alongside aircraft cables.



NOTE: Maximum canopy to fixture distance: 25 ft. Maximum canopy to driver distance: 100 ft. (with 10 AWG wire).



Uno/Dos wiring:

(Static White):

Driver One: Red to DC positive }
Blue to DC negative }

Driver Two: Red/White to DC positive }
Blue/White to DC negative }

(RGBW):

Group 1 (red+) to red wire
Group 2 (green+) to green wire
Group 3 (blue+) to blue wire
Group 4 (yellow+) to white wire
Group 1-4 GND (black-) to black wires (common-) to blue(-) on power supply.

Dimming:

Standard (0-10V):

Purple and Pink wires from driver to 0-10V dimmer. Cap if unused.

Lutron EcoSystem: Purple and Purple/White wires from driver to dimmer.

DMX: orange/white (DMX in+), orange (DMX in-), brown (DMX in shield) from controller to driver.

Dali: orange/white (DA+), orange (DA-) from controller to driver.

Insert cable ends into grippers. Depress gripper nozzle to release/adjust cable.
After final adjustments, leave approximately 1 inch of cable out of exit hole.

