

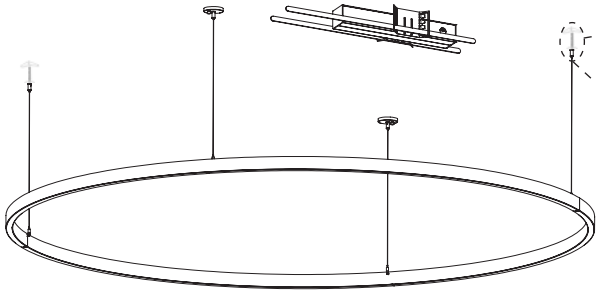
# DOS 8 ft.

## SR—Separate Mount, Remote Driver

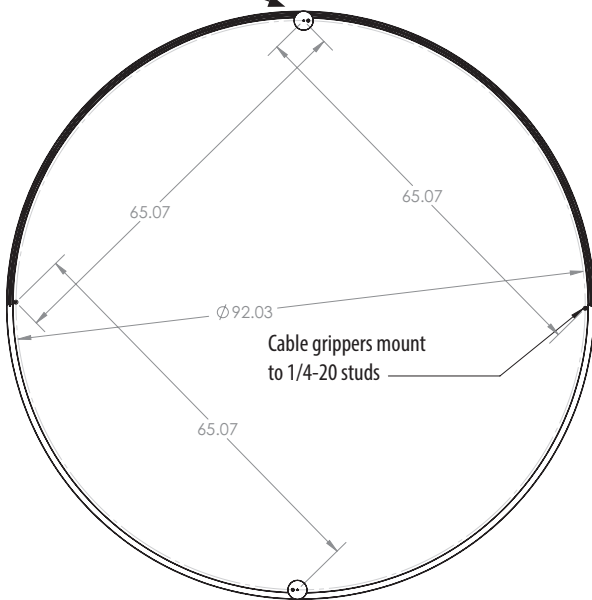
Installation ou de montage

**WARNING:** Disconnect main power at the source prior to installation! Only qualified electricians should install Delray Lighting products.

Two remote driver housings required. (See second sheet for driver info.)



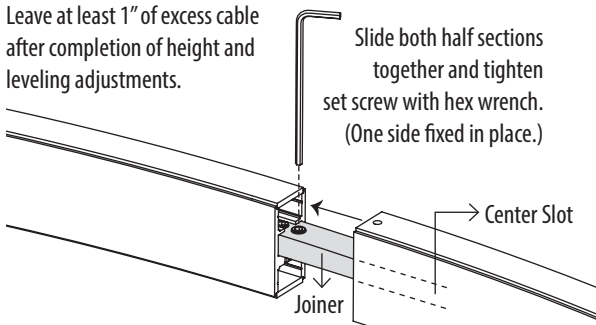
Power feed canopy for each section (2), mounted to 3 in. mudring (by others).



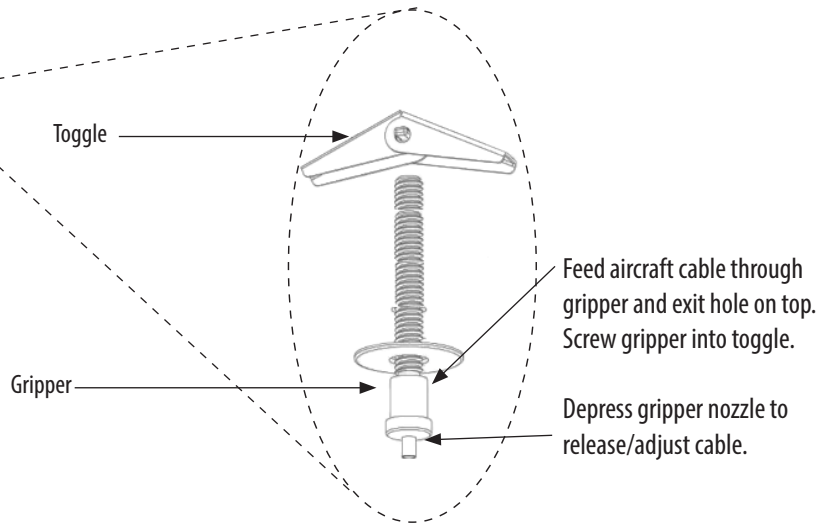
Four mount points, equally spaced at 65.07 in.

**NOTE:** Max. canopy to fixture distance: 25 feet max.  
Canopy to driver distance: 100 feet (with 10 AWG wire).

Insert cable into gripper, depress nozzle to adjust. Re-insert gripper into base. Leave at least 1" of excess cable after completion of height and leveling adjustments.



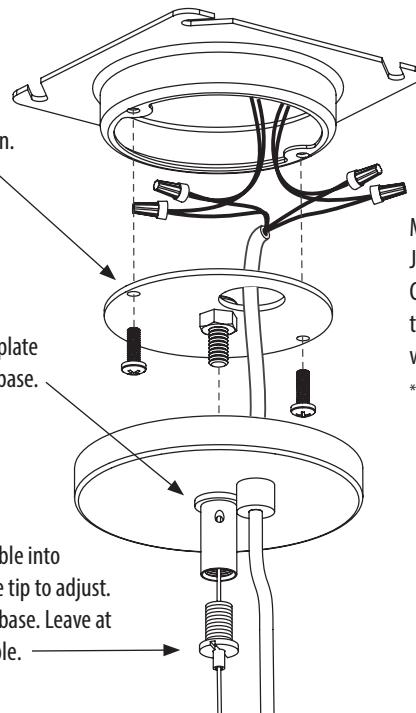
**CAUTION:** Insert joiner into center slot only. Inserting the joiner into upper or lower LED slots will result in damaged and/or broken LEDs.



Attach backplate to 3 in. mud ring (by others).

Attach canopy to backplate with AC cable gripper base.

Insert 1/16" aircraft cable into gripper, depress nozzle tip to adjust. Re-insert gripper into base. Leave at least 1" of exposed cable.



Make connections\* in J-box to remote driver. Connecting lamp cord to line voltage voids warranty.

\*(may be up to 5 - see wiring below)

Feed lamp cord through threaded nipple and backplate. Use O-rings provided to tether lamp cord along aircraft cable.

### DoS wiring:

(Static White):

Driver One: Red to DC positive }  
Blue to DC negative }

Driver Two: Red/White to DC positive }  
Blue/White to DC negative }

### Dimming:

Standard (0-10V):

Purple and Pink wires from driver to 0-10V dimmer. Cap if unused.

Lutron EcoSystem: Purple and Purple/White wires from driver to dimmer.

DMX: orange/white (DMX in+), orange (DMX in-), brown (DMX in shield) from controller to driver.

Dali: orange/white (DA+), orange (DA-) from controller to driver.

(RGBW):

Group 1 (red+) to red wire

Group 2 (green+) to green wire

Group 3 (blue+) to blue wire

Group 4 (yellow+) to white wire

Group 1-4 GND (black-) to black wires (common-) to blue(-) on power supply.



OCT 2024

**DOS 8 ft.**

## SR—Separate Mount, Remote Driver

Installation ou de montage

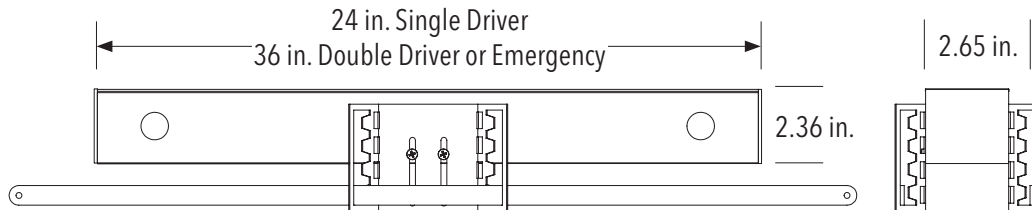
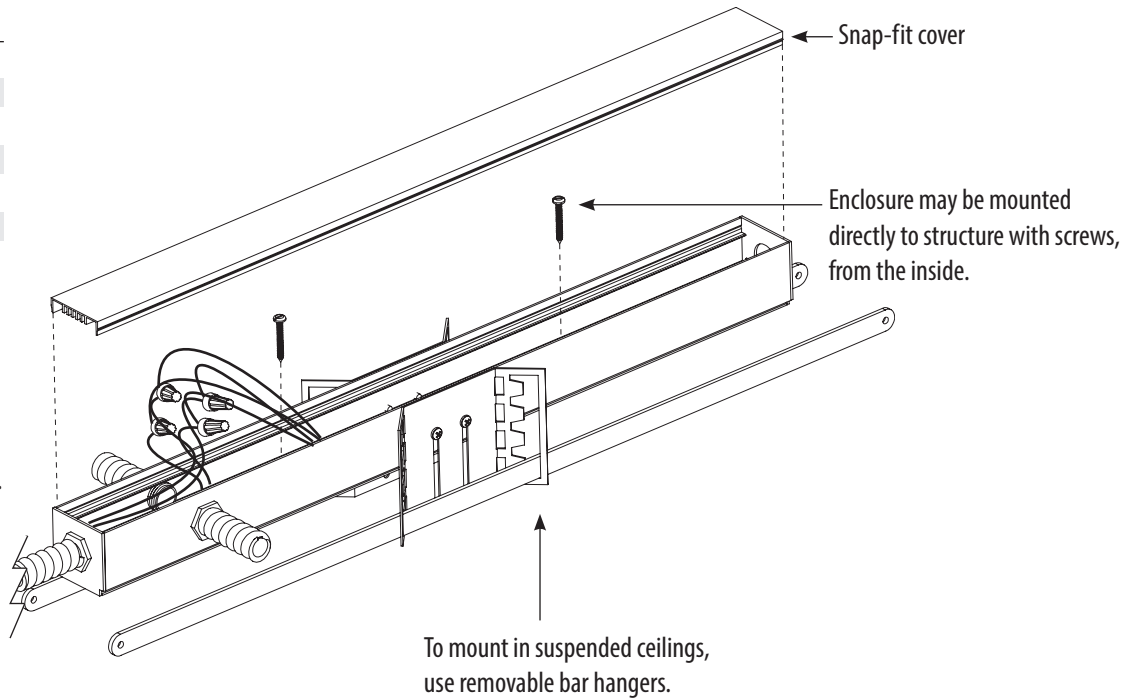
**WARNING:** Disconnect main power at the source prior to installation! Only qualified electricians should install Delray Lighting products.

\*Max. Wiring Distance (at full load)

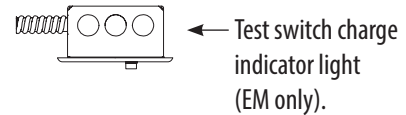
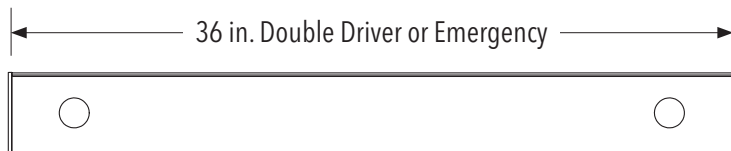
Wire Size (AWG)	Distance (ft.)
18	18
16	29
14	46
12	71
10	120

Enclosure has two knock-outs for 1/2 in. conduit fittings, and may be ordered with optional end caps with knock-outs (shown).

Box knock-outs are 3.5 in. from end.



### Emergency Battery Back-Up or RGB DMX



EM option driver housing is longer, and has a surface mount remote test switch (shown above, right).