

# Cylindro I (650)

24" LED circular pendant with opal acrylic diffuser



### CONSTRUCTION

- Silver finish aluminum outer housing unlocks with screw for servicing.
- Opal acrylic diffuser.
- Canopy mounts to standard 3" mud ring.
- 6 ft. power cord and adjustable aircraft cables, grippers supplied, standard. Default finish/power cord pairings are silver/gray, white/white, black/black.
- For RAL colors, power cord color must be specified.

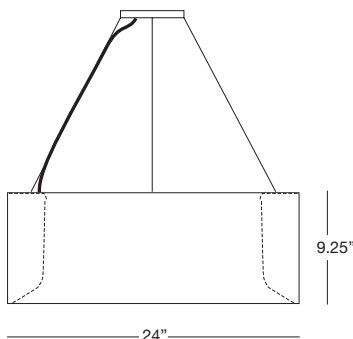
- For differing fixture/canopy colors, please consult factory.
- Available in separate or central mount (see below).
- Driver is integral to fixture for white LEDs; canopy-mounted for RGBW color LEDs and **DPH**—phase dimming.
- Drivers are universal voltage, 120–277V.
- Optional low voltage downlights available, for task lighting.
- Factory set custom reduced-lumen output driver configuration. Order **XL**. Specify lumens.
- ETL listed for dry locations.

<b>TYPE:</b>	<b>PROJECT:</b>
<b>ORDER NUMBER:</b>	

MODEL#	FINISH	LEDs	DIMMING	OPTION
<b>6511.LO</b> Central Mount <b>6521.HO</b> Central Mount <b>6512.LO</b> Separate Mount <b>6522.HO</b> Separate Mount	<b>S</b> —Silver <b>W</b> —White <b>K</b> —Black <b>CC</b> —RAL Color*	<b>W30</b> <b>W35</b> <b>W40</b>  <b>RGBW</b> —color + 3500° K white	<b>D</b> —Standard <b>BDIM-W11</b> <b>DMX</b> <b>DA</b> —DALI <b>DPH</b> —Phase (LO, 120V only)	<b>EM</b> —Emergency <b>RR</b> —Remote Driver
Example:				
<b>6521.HO</b>	<b>S</b>	<b>W35</b>	<b>D</b>	

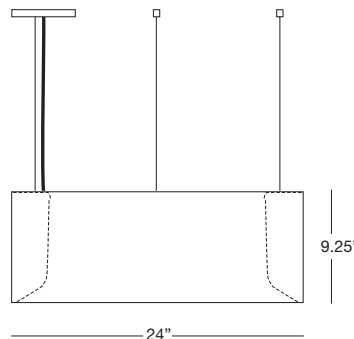
<b>BDMXCON-W</b> —white faceplate (enter quantity):	<b>XP</b> —Extra power cord (in inches, 25 ft. max.):
<b>BDMXCON-B</b> —black faceplate (enter quantity):	Specify canopy finish (silver, white, black):
<b>XL</b> —custom lumen reduction (specify lumens):	Specify power cord color (gray, white, black):
<b>EB</b> —Earthquake Bracing Kit (enter quantity):	*Specify RAL color number:

### CENTRAL MOUNT



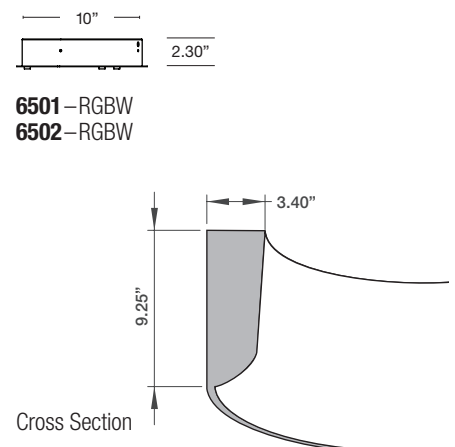
**6511-LO**—White  
**6521-HO**—White

### SEPARATE MOUNT



**6512-LO**—White  
**6522-HO**—White

### RGBW/DPH CANOPY



# Cylindro I (650)

24" LED circular pendant with opal acrylic diffuser



## WHITE LEDs

Nichia Corp. NFSL757 tight bin chips on aluminum boards. 90 CRI. Specify: **W30**–3000°, **W35**–3500°, or **W40**–4000° Kelvin.

## COLOR LEDs

**RGBW** with 3500° K white. Includes RGB interface. Optional DMX controller also available. (See below.)

## DIMMING

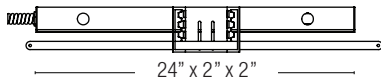
- **D**—standard supplied driver. 0–10V, programmable, 1% dimming, 120–277V, 50/60 Hz.
- **BDIM-W11**—Lutron EcoSystem LED14 Series, 1% dimming, 120–277V, 50/60 Hz, fade-to-off. Remote (**SR, CR, NCR**) install only.
- **DPH**—Triac and ELV 1% dimming at 120V 60 Hz only. For **LO**, surface-mount canopy only.
- **DA**—DALI 1% dimming, fade-to-off. 120–277V, 50/60 Hz.
- **DMX**—for both white and RGBW LEDs, 1% dimming fade-to-off. 120–277V 50/60Hz.

## CUSTOM LUMEN OUTPUT REDUCTION

Factory set custom reduced-lumen output driver configuration. Order **XL**. Specify lumens.

## REMOTE DRIVERS

For suspended and hard lid ceilings with access panels. Canopy mounts to mud ring attached to J-box. Must be accessible after installation. Order **RR**.



**NOTE:** Multiple drivers must be mounted no less than four inches apart side-by-side, and one inch apart end-to-end, to prevent overheating.

## OPTIONAL DMX CONTROLLER

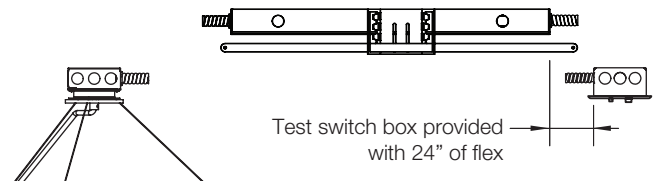
- Standalone, wall-mounted DMX controller for RGBW LED that provides direct access to fixtures. Power supply included.
- Tune color hue with sensitive wheel. Saturation and brightness control. On/off switch.
- Go to <https://www.nicolaudie.com/en/stick-de3.htm> for details.

Order separately, either **BDMXCON-W**—white faceplate or **BDMXCON-B**—black faceplate.

## WATTS / DELIVERED LUMENS

DIAMETER: NOMINAL (ACTUAL)	WATTS	DELIVERED LUMENS
2 ft. <b>LO</b> (24 in.)	34	2,480
2 ft. <b>HO</b> (24 in.)	50	3,700
2 ft. <b>RGBW</b> (24 in.)	20	N/A

**EM** – Emergency. T-bar install shown, below. Emergency battery pack provides 10W for 90 minutes. Remote install only. Red driver light and test switch mounted in handy box installed at ceiling.



## EXTRA PENDANT

Standard pendant length: 6 ft. For extra pendant, specify **XP**. Maximum canopy to fixture distance: 25 ft. Maximum canopy to driver distance: 100 ft. (with 10 AWG wire).

## AIRCRAFT CABLE

**NOTE:** Not recommended for outdoor use, where fixture will be exposed to water, or subject to wind oscillation. Avoid use near HVAC vents and in environments with corrosive chemical vapors, such as swimming pools.

## ACRYLIC DIFFUSER CLEANING

**WARNING:** Do not clean with ammonia based cleaners (e.g. Windex®). Use only water or cleaners specifically formulated for cleaning plastics.