

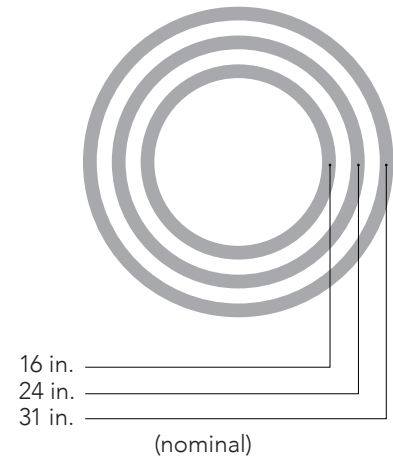
Topanga (TG)

circular LED pendant/surface with opal polymer disc



CONSTRUCTION

- White finish aluminum outer housing, with opal polymer disc.
- 6 ft. clear sheathed/silver shielded power/support cord and adjustable aircraft cables, gripper supplied, standard.
- Drivers installed in surface mount canopy.
- Drivers are universal voltage, 120–277V.
- Central collar aligns aircraft and power cables.
- cUL listed for damp locations (pending).

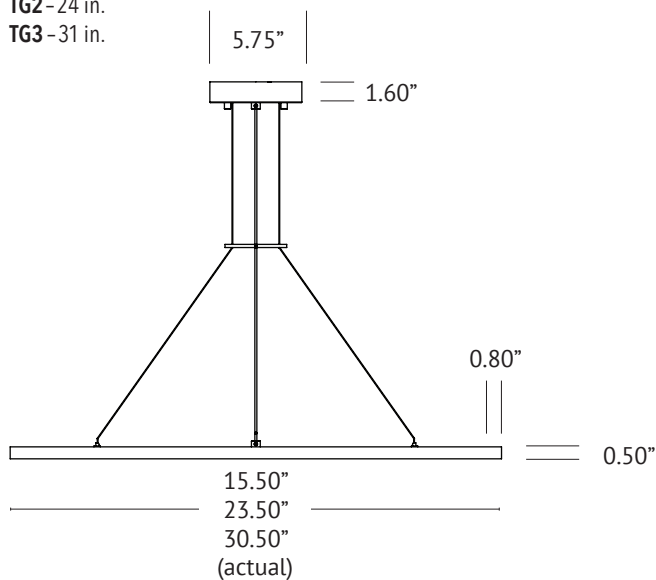


TYPE:	PROJECT:
ORDER NUMBER:	

MODEL#	FINISH	LEDS	MOUNT STYLE	DIMMING	OPTION
TG1-16 in. TG2-24 in. TG3-31 in.	W-White	W35	NCP-Nexus Central Power	D-Standard	EB-Earthquake Bracing Kit
Example:					
TG2	W	W35	NCP	D	EB (enter quantity)

PENDANT

- TG1-16 in.
- TG2-24 in.
- TG3-31 in.



Topanga (TG)

circular LED pendant/surface with opal polymer disc



WHITE LEDS

Bridgelux SMD2835, 84 CRI, W35–3500° Kelvin.

DIMMING

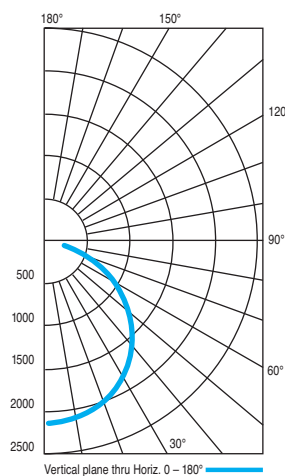
D–standard supplied driver. 0–10V, , 5% dimming,
Universal voltage (120–277V), 50/60 Hz.

WATTS / DELIVERED LUMENS

MODEL NO.	DIAMETER	WATTS	DELIVERED LUMENS
TG1	16 in.	29	2,911
TG2	24 in.	42	4,149
TG3	31 in.	63	6,093

CP DISTRIBUTION

TG1 – 18 in.



PLASTIC DIFFUSER CLEANING

WARNING: Do not clean with ammonia based cleaners (e.g. Windex®). Use only water or cleaners specifically formulated for cleaning plastics.