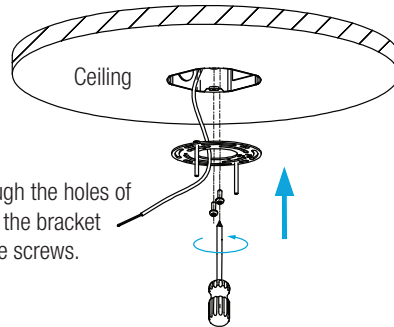
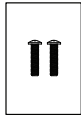


WARNING: disconnect main power at the source prior to installation! *Only qualified electricians should install Delray Lighting products.*

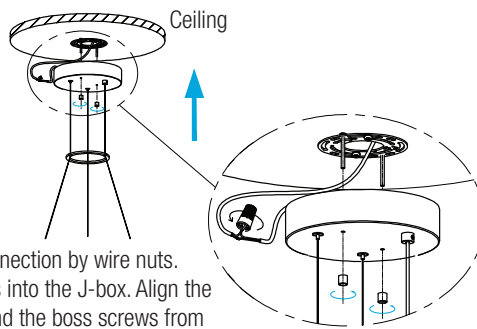
Standard Surface Mount Canopy

1



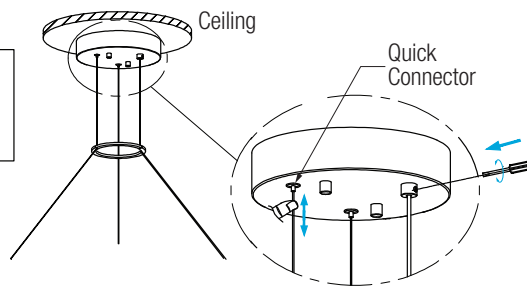
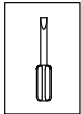
Put the power cable through the holes of mounting bracket. Mount the bracket to the J-box by tighten the screws.

2

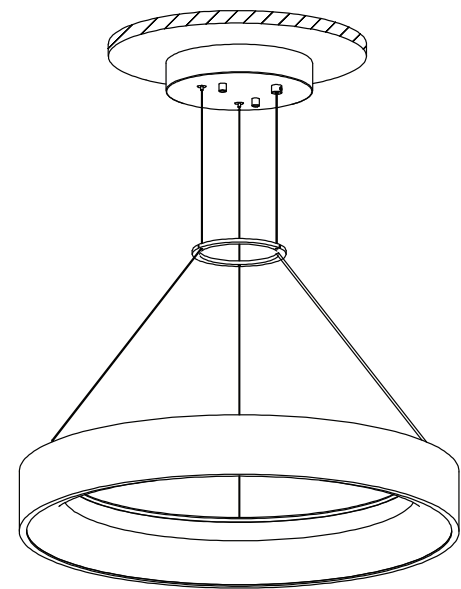


Make the wire connection by wire nuts. Put the extra wires into the J-box. Align the holes of canopy and the boss screws from bracket, put the nuts to the canopy to fix the canopy and bracket.

3



Depress the quick connector by hand to adjust the height of the fixture. Loosen the screws to adjust the length of the cable and tighten the screws when the cable is in desired length.



Finished Installation

WARNING *Risk of fire or electric shock. Only qualified, licensed electricians should install Delray Lighting products.*

1. Read and review all instructions and diagrams prior to installation.
2. Disconnect power prior to installation. Turn off circuit breaker or remove fuse from fuse panel. (Turning off the light switch is insufficient to safeguard against electric shock.)
3. Electrical connections must conform to local codes and ordinances, or the National Electrical Code.
4. Wire the luminaire following the wiring diagram on the ballast, or inside the box. Use UL listed wire connectors suitable for the size, type, and number of conductors. No loose strands or wires should be present. Secure wire connectors with UL listed electrical tape and wire nuts.

5. Install lamps (not included). Do not exceed recommended wattage.
6. Restore electricity and test fixture.

NOTE: These safeguards and instructions are not intended to cover all possible conditions and circumstances. Proceed with caution; utilizing established professional electrical installation methods, tools, and supplies.