

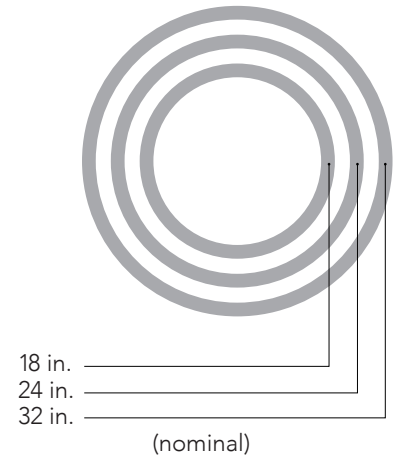
Cylindro IV (B690)

circular LED pendant/surface with opal polymer diffuser



CONSTRUCTION

- White finish aluminum outer housing, with opal polymer diffuser.
- 6 ft. clear sheathed/silver shielded power/support cord and adjustable aircraft cables, gripper supplied, standard (pendant only).
- Drivers are universal voltage, 120–277V.
- Drivers installed in surface mount canopy.
- Central collar aligns aircraft and power cables.
- cUL listed for damp locations (pending).

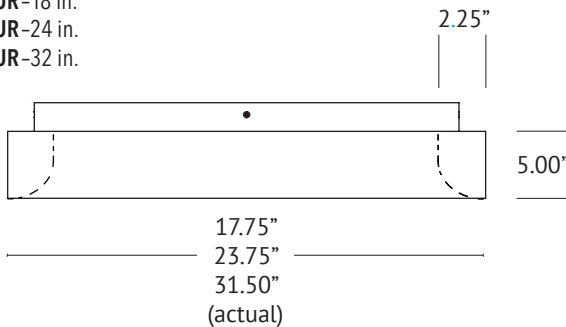


TYPE:	PROJECT:
ORDER NUMBER:	

MODEL#	FINISH	LEDS	MOUNT STYLE	DIMMING	OPTION
B6901-18 in. B6902-24 in. B6903-32 in.	W-White	W35	NCP-Nexus Central Power SUR-Surface	D-Standard	EB-Earthquake Bracing Kit (pendant only)
Example:					
B6902	W	W35	NCP	D	EB (enter quantity)

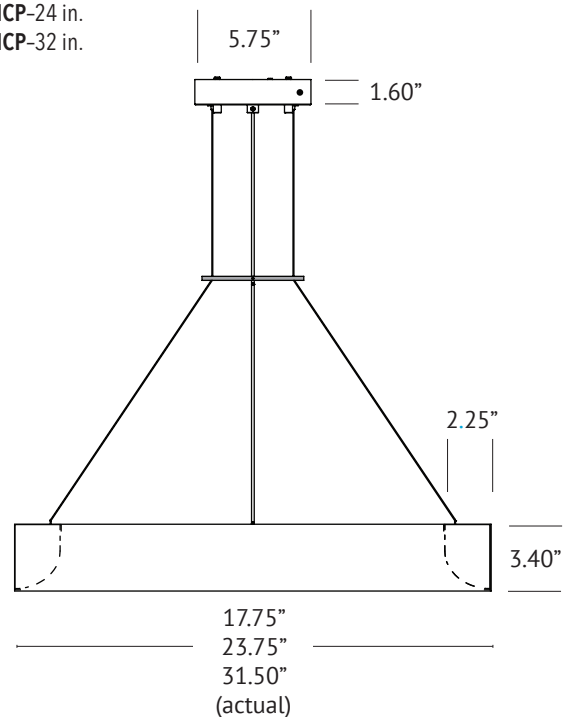
SURFACE MOUNT

- B6901-SUR-18 in.
- B6902-SUR-24 in.
- B6903-SUR-32 in.



NCP-NEXUS CENTRAL POWER

- B6901-NCP-18 in.
- B6902-NCP-24 in.
- B6903-NCP-32 in.



Cylindro IV (B690)

circular LED pendant/surface with opal polymer diffuser



WHITE LEDS

Bridgelux SMD2835, 84 CRI, W35–3500° Kelvin.

DIMMING

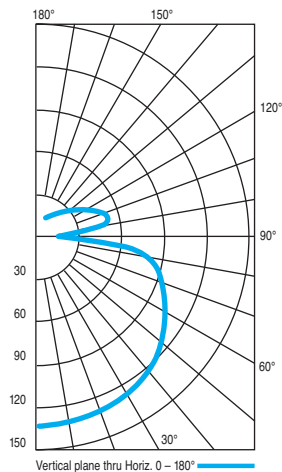
D–standard supplied driver. 0–10V, 5% dimming,
Universal voltage (120–277V), 50/60 Hz.

WATTS / DELIVERED LUMENS

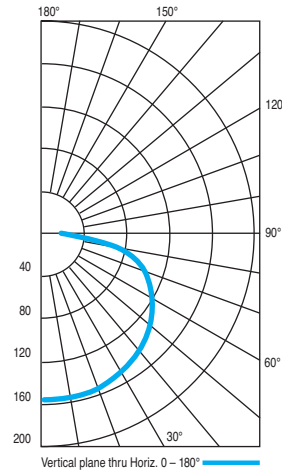
MODEL NO.	DIAMETER	WATTS	DELIVERED LUMENS
B6901-NCP	18 in.	16	726
B6902-NCP	24 in.	27	1,518
B6903-NCP	32 in.	36	1,978
B6901-SUR	18 in.	16	676
B6902-SUR	24 in.	28	1,113
B6903-SUR	32 in.	36	1,841

CP DISTRIBUTION

B6901-NCP 18 in. pendant



B6901-SUR 18 in. surface



PLASTIC DIFFUSER CLEANING

WARNING: Do not clean with ammonia based cleaners (e.g. Windex®). Use only water or cleaners specifically formulated for cleaning plastics.

