

# Armature system

configurable, suspended wireway for multiple luminaires



## CONSTRUCTION

- Connect multiple luminaires together on one wireway.
- Extruded aluminum sections (max. 10 ft.) may be cut on-site, configured to fit any space. Suspended with galvanized aircraft cables; 10 ft. length, standard.
- Power may be supplied anywhere along the armature.
- Hubs are used as mounting points for each fixture, as well as to create joints. Hubs are available either 4-sided for 90° and 180° connections, or 6-sided for 60° and 120° connections. (See below.)
- Conductors run through inside center of armature raceways.
- cUL listed for dry locations only.

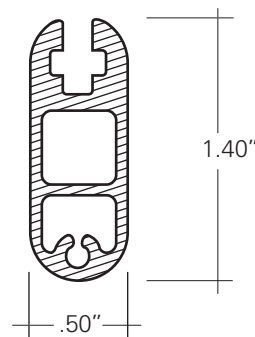
<b>TYPE:</b>	<b>ORDER NUMBER:</b>
<b>PROJECT:</b>	

MODEL NO.	HUBS	FINISH
ACON	AHUB4: 4-sided AHUB6: 6-sided	S-Silver W-White K-Black CC-Custom Color*

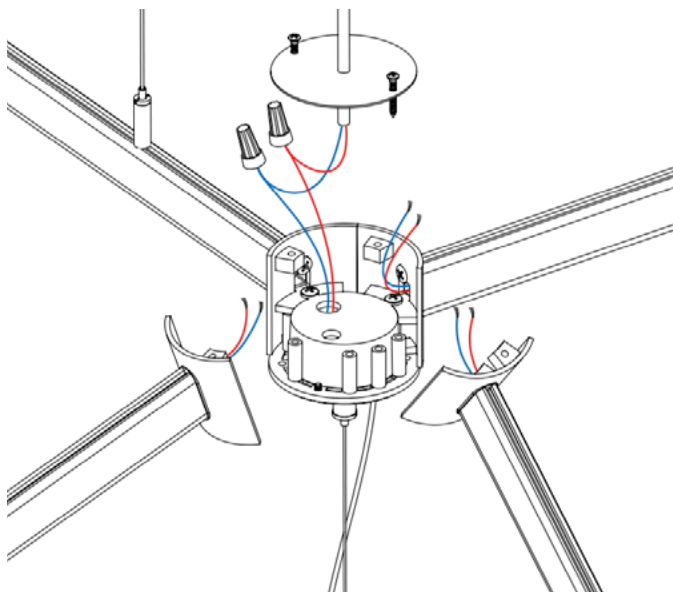
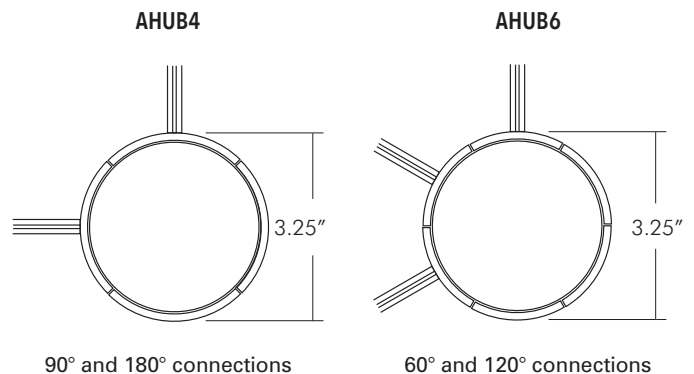
*Specify RAL custom color number:	
XP-Extra power cord (in inches, 25 ft. max.)	

**NOTE:** Please confirm feasibility of proposed armature configurations with factory before ordering. Sketches may be emailed to [configurations@delraylighting.com](mailto:configurations@delraylighting.com) for review and verification. Delray will return drawings that detail individual rail lengths, number of drivers, support and feed locations, and customer-specified EM fixtures, if any. Armature fabrication cannot begin without approved drawings.

## ARMATURE CROSS SECTION



## ARMATURE HUBS (TOP VIEW)



# Armature system

configurable, suspended wireway for multiple luminaires



## COMPATIBLE FIXTURES

The Delray fixtures shown below are easily installed on Armature System. Specify fixtures separately.

Aspect Glass Pendants



Aspect Metal



Arctic



Bola



Dusk



4/6 in. Tubes



Kone3 Glass Pendants



RLM



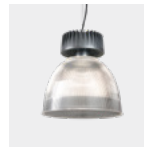
Textura



Industrial Pendants



Stellar



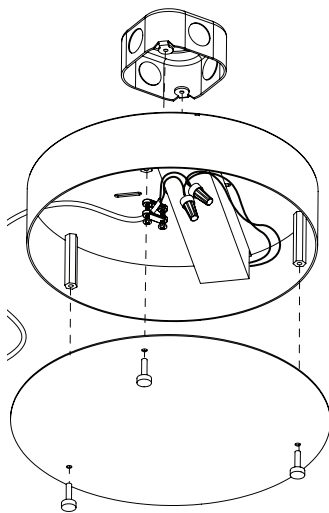
Luma



Circles

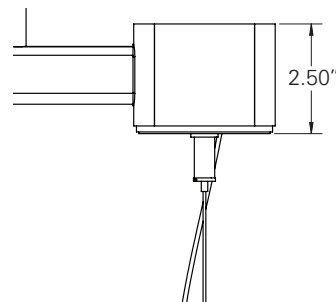


## REMOTE SURFACE CANOPY with Integral Driver

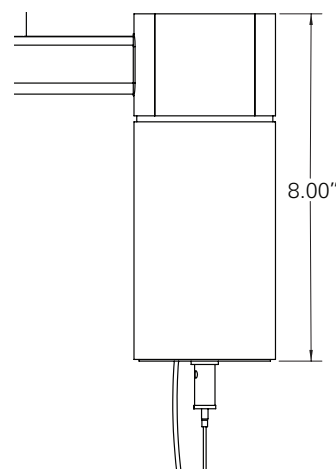


NOTE: 2.25" x 10" canopy. Max. 3x 50W drivers.

## HUB DIMENSIONS

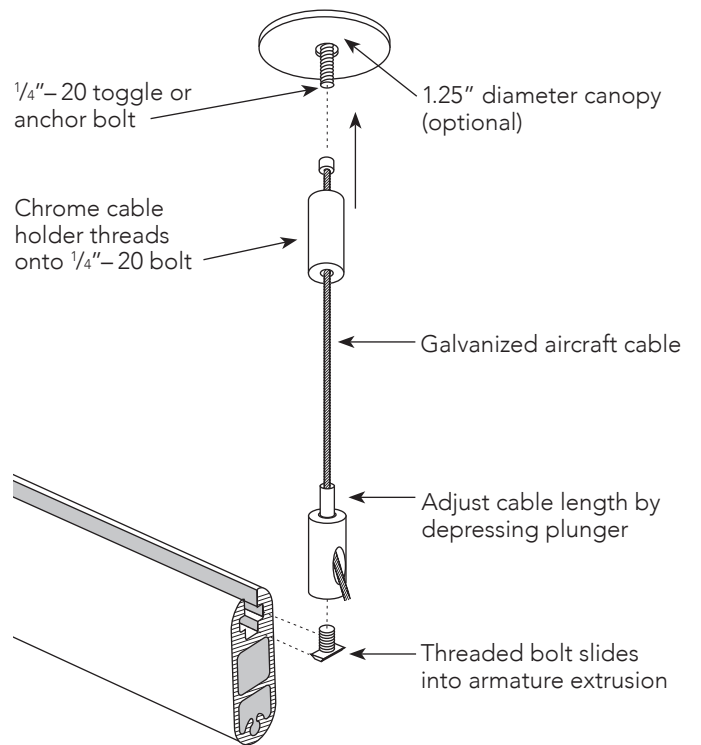


Hub with Remote Driver



Hub with Integral Driver (25W max.)

## CANOPY, CABLE SUSPENSION



## AIRCRAFT CABLE

NOTE: Not recommended for areas where fixtures will be exposed to water, or subject to intense air movement. Avoid use near HVAC vents as well as in environments containing corrosive chemical vapors, such as swimming pools.

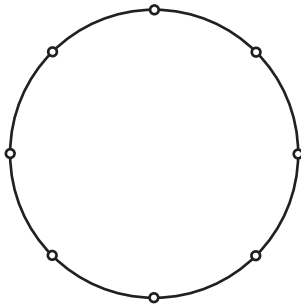
# Armature system

configurable, suspended wireway for multiple luminaires

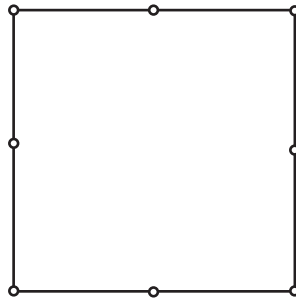


## POSSIBLE ARMATURE LAYOUTS

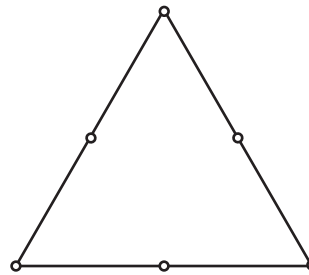
Circle



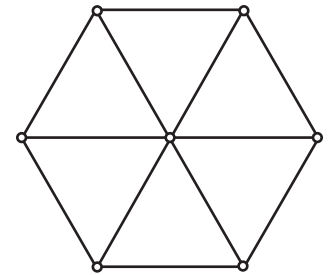
Square or Rectangle



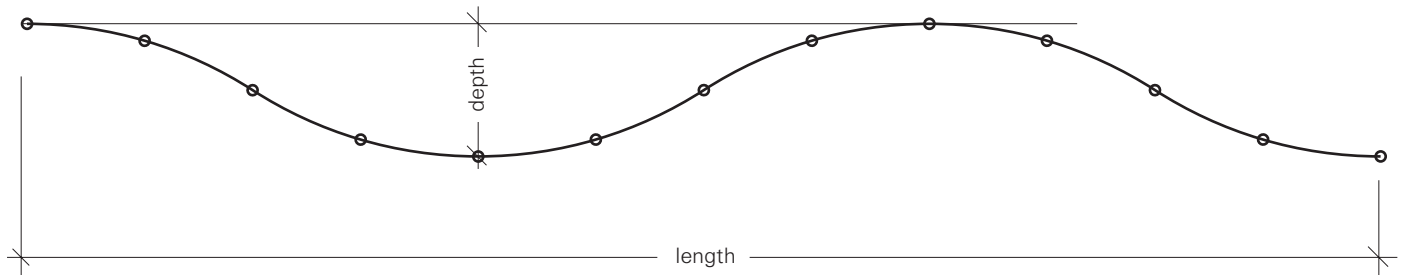
Triangle



Hexagon



Serpentine



**NOTE:** Please confirm feasibility of proposed armature configurations with factory before ordering. Sketches may be emailed to [configurations@delraylighting.com](mailto:configurations@delraylighting.com) for review and verification. Delray will return drawings that detail individual rail lengths, number of drivers, support and feed locations, and customer-specified EM fixtures, if any. Armature fabrication cannot begin without approved drawings.

## SAMPLE 'X' CONFIGURATION

