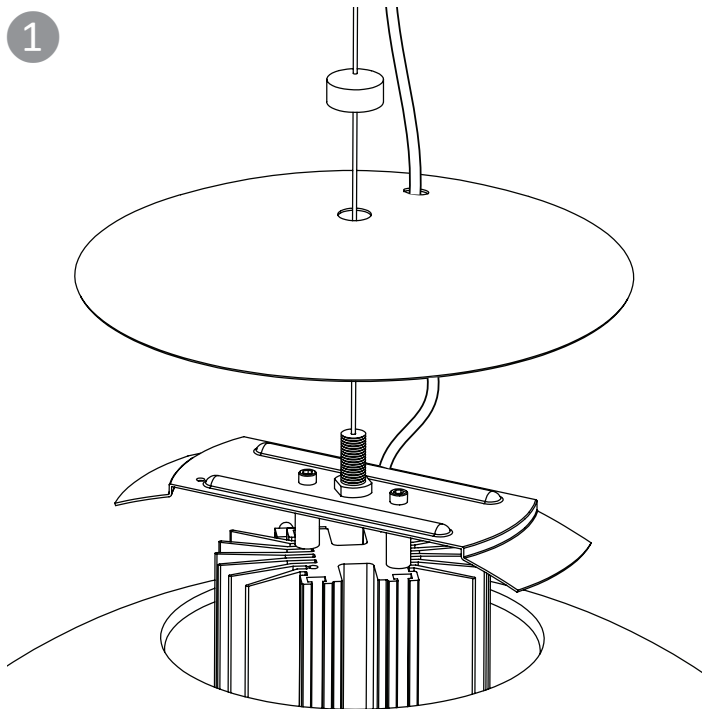


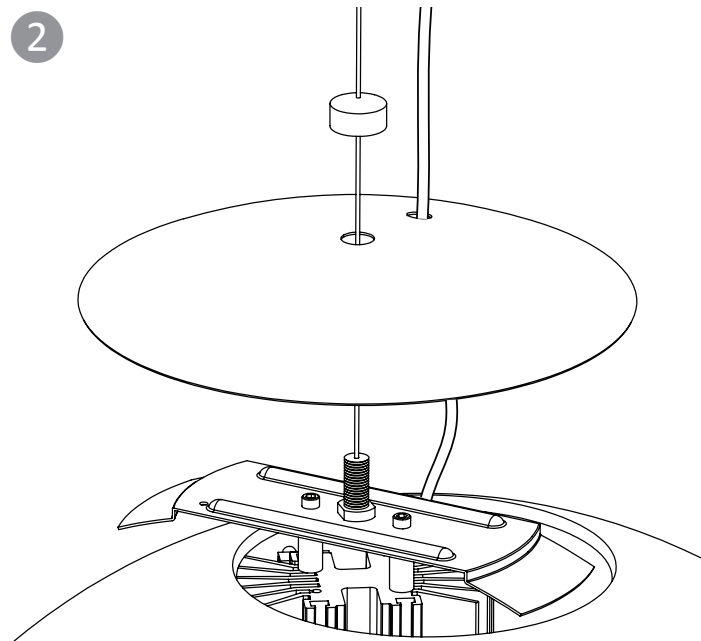
ARCTIC ARL1, ARL2

Glass/Canopy Installation 1 of 2 *Installation ou de montage*

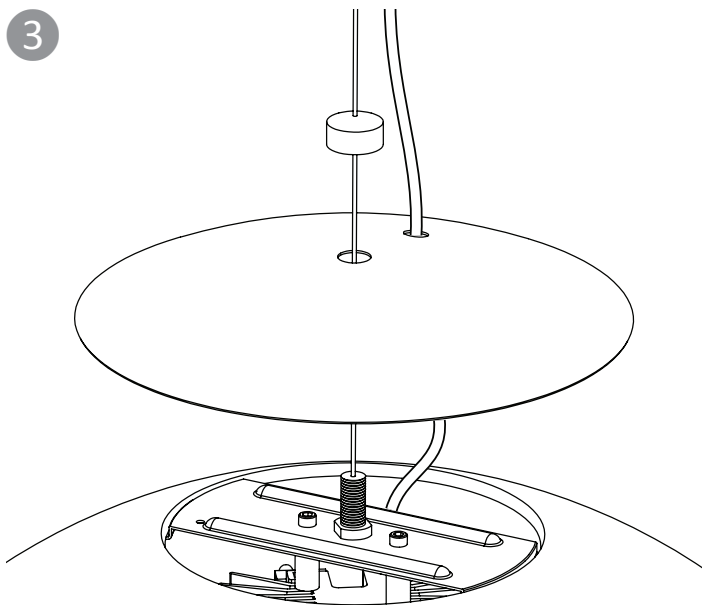
NOTE: Wire up and attach canopy to ceiling first. Adjust cables to height needed prior to glass installation.
(See page 2.)



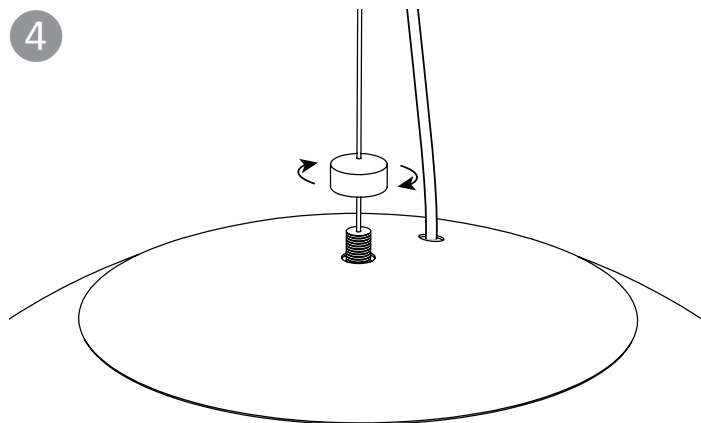
1
Avoid knocking the glass while inserting the LED engine and heat sink through the top opening.



2
Carefully position glass between support bracket and heat sink. Move engine to one side to slip one edge of the bracket under the glass. Reposition to slip the other bracket end under the glass.



3
Center the support bracket in the glass opening, so it evenly supports the weight of the glass.



4
Slide cover down into position and secure with threaded cap.

ARCTIC ARL1, ARL2

Glass/Canopy Installation 2 of 2 Installation ou de montage

WARNING: disconnect main power at the source prior to installation! *Only qualified electricians should install Delray Lighting products.*
See additional safeguards on last page.

Attach back plate to octagonal box or 3 in. mudring (by others).

Remove both canopy side screws to open.

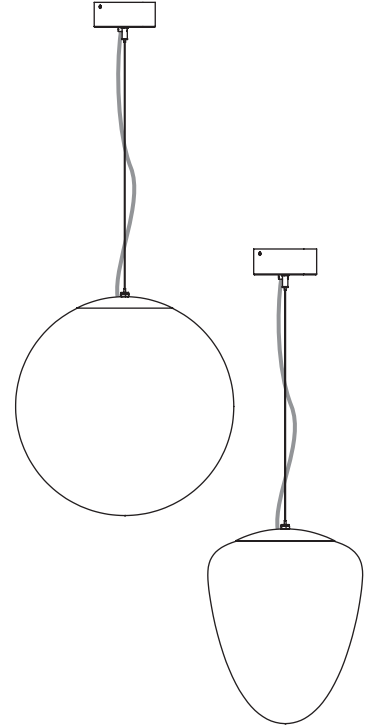
Wire up lamp cord to driver output.

Install crimp strain relief, re-attach canopy.

Connect drive to line voltage and dimming control wires (if applicable).

Depress push button cable gripper to adjust height. Leave at least 1 in. excess cable protruding from gripper exit hole.

For Models:
ARL1 and ARL2



WARNING: disconnect main power at the source prior to installation!

Only qualified electricians should install Delray Lighting products.

- Read instructions and review diagrams prior to installation.
- Before beginning installation, turn off circuit breaker or remove fuse at fuse box to disconnect power. Turning off a light switch is insufficient to prevent electrical shock.
- All electrical connections must be in compliance with local codes, ordinances and the National Electrical Code. If you are unfamiliar with these methods of electrical wiring installation, secure the services of a qualified, licensed electrician.

NOTE: These instructions cannot address all possible conditions and circumstance that may occur during installation. While Delray products conform to the highest quality and safety standards, safe installation also requires caution, common sense, and careful implementation of professional electrical installation methods.

Carefully follow driver wiring diagrams and instructions included with the fixture. Use only cUL Listed wire connectors suitable for the size, type, and number of conductors. No loose wires or wire strands should be remain.

Secure wire connectors with only cUL Listed electrical tape and wire nuts.