

UNO CIRCULAR SURFACE

Mount Instructions – 1 of 4 Installation ou de montage

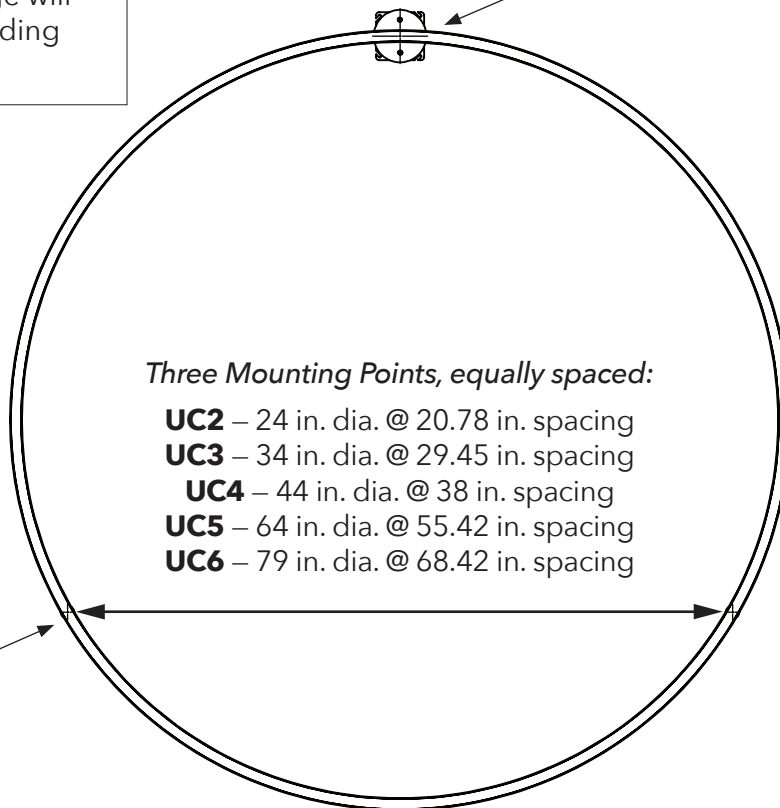
WARNING: Disconnect main power at the source prior to installation! Fixture must be installed only by qualified electricians.

1

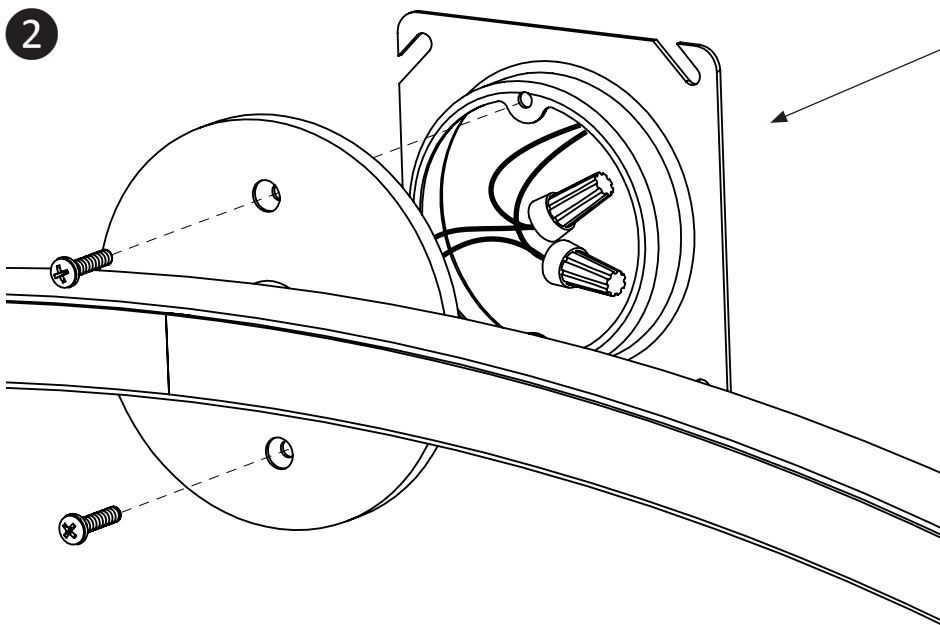
WARNING: Direct connection of fixture to line voltage will burn out the LEDs, voiding the product warranty.

IMPORTANT:

Mount 3 in. mud ring with holes in the vertical position.



2

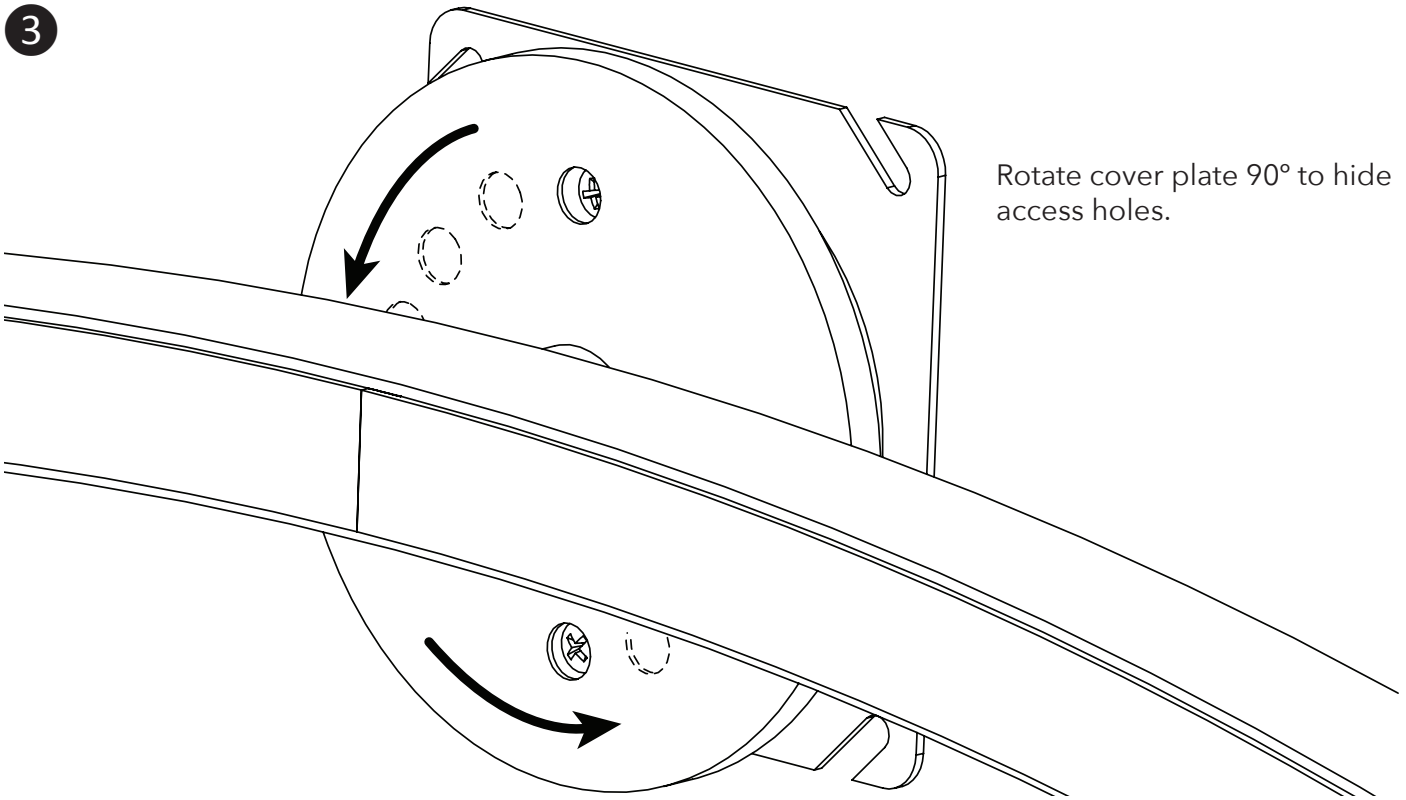


UNO CIRCULAR SURFACE

Mount Instructions – 2 of 4 *Installation ou de montage*

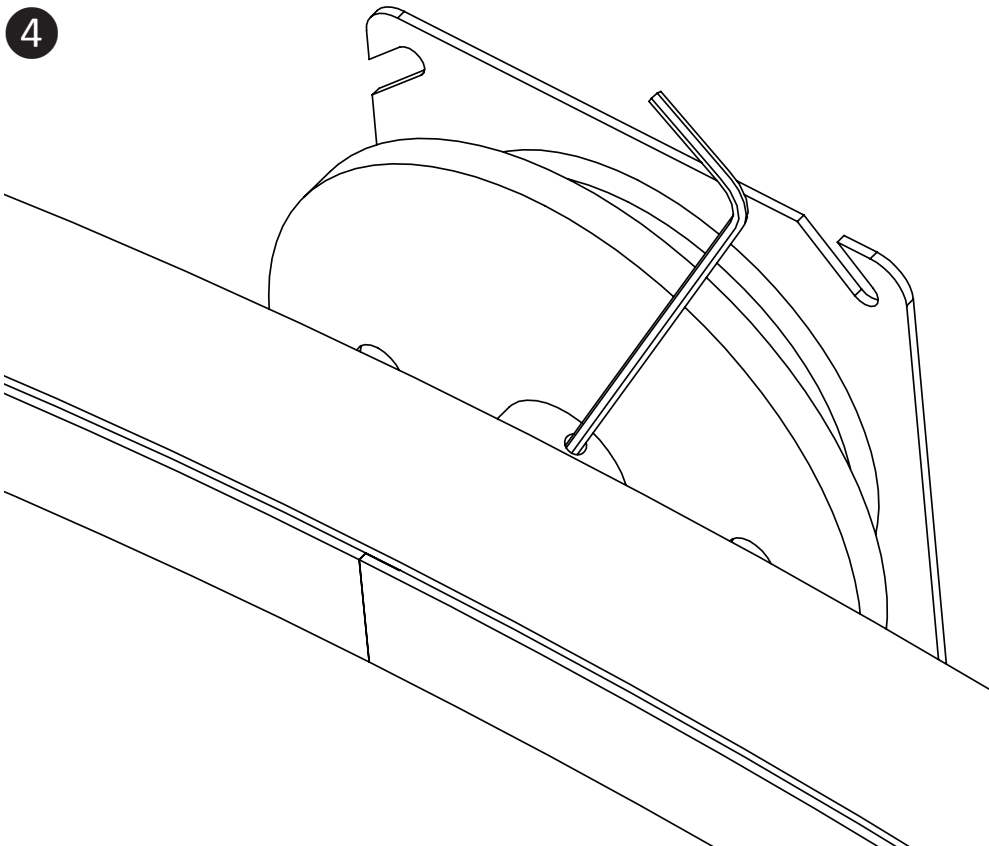
WARNING: Disconnect main power at the source prior to installation! Fixture must be installed only by qualified electricians.

3



Rotate cover plate 90° to hide access holes.

4



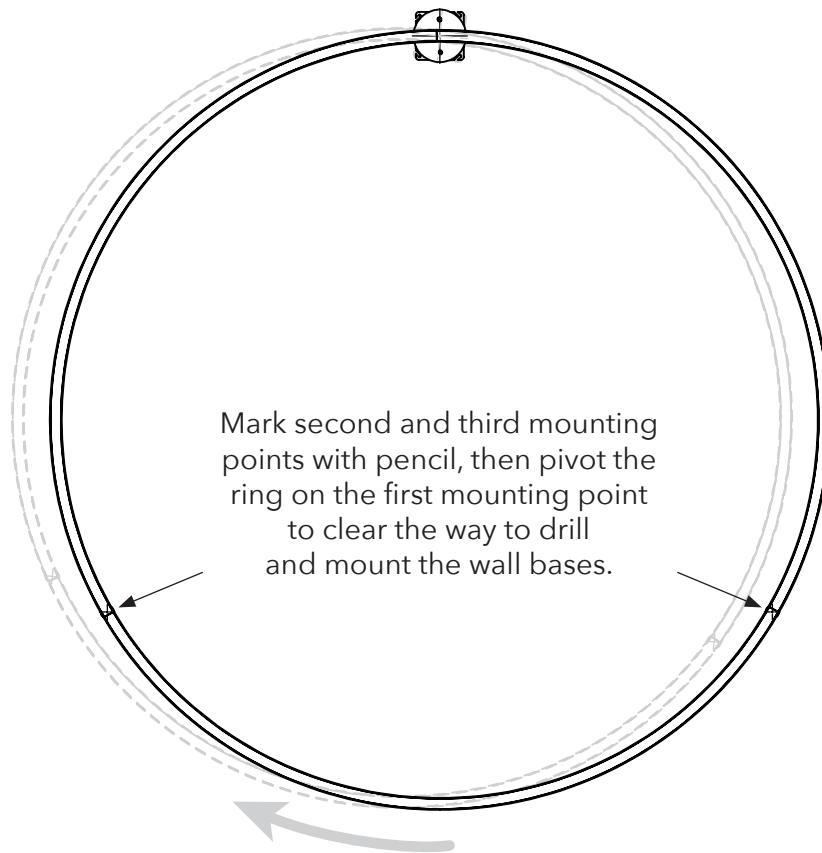
Secure cover plate by tightening set screws with hex key provided.

UNO CIRCULAR SURFACE

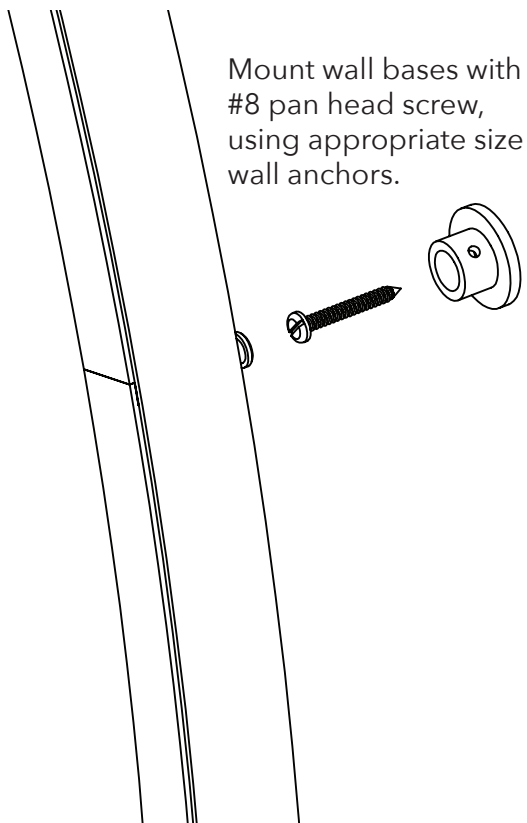
Mount Instructions – 3 of 4 *Installation ou de montage*

WARNING: Disconnect main power at the source prior to installation! Fixture must be installed only by qualified electricians.

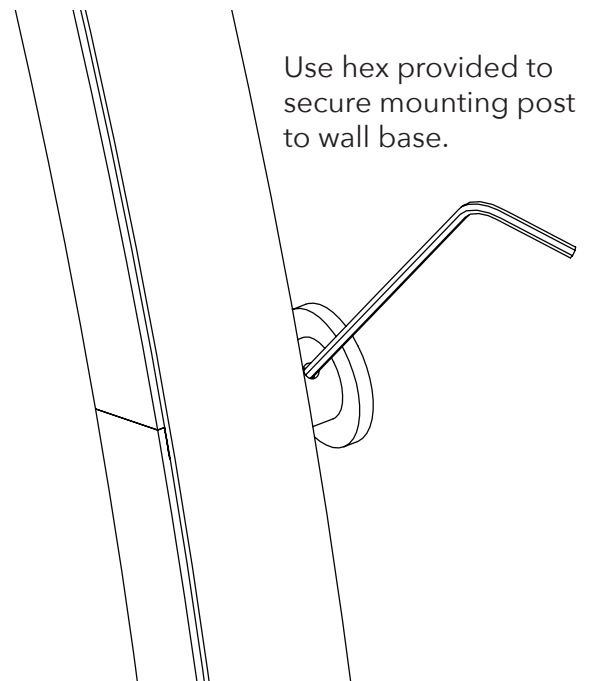
5



6

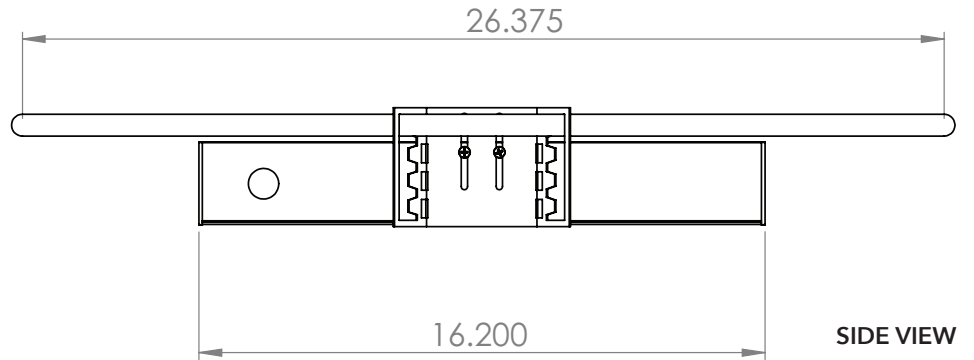
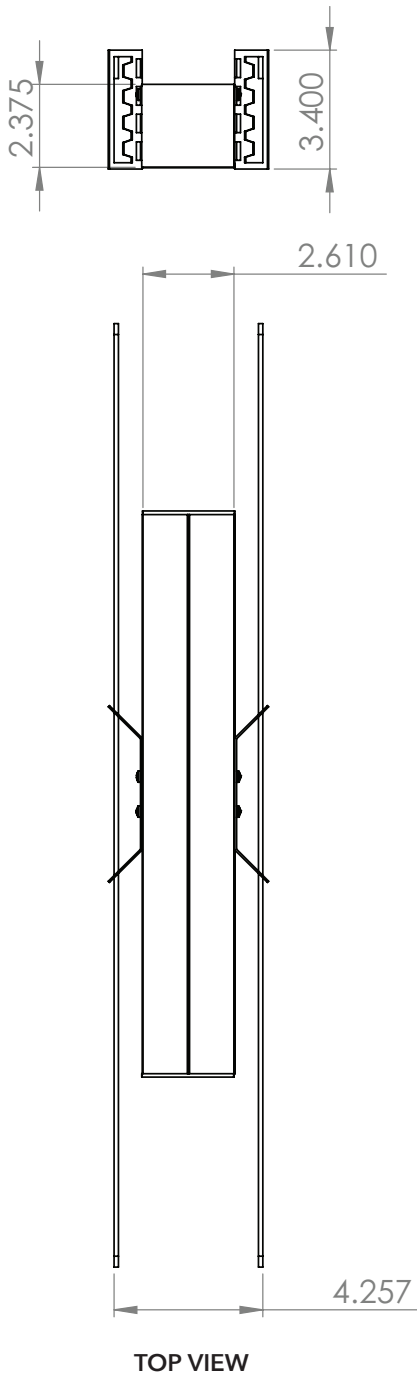


7



WARNING: Disconnect main power at the source prior to installation! Fixture must be installed only by qualified electricians.

Remote Driver Housing Info



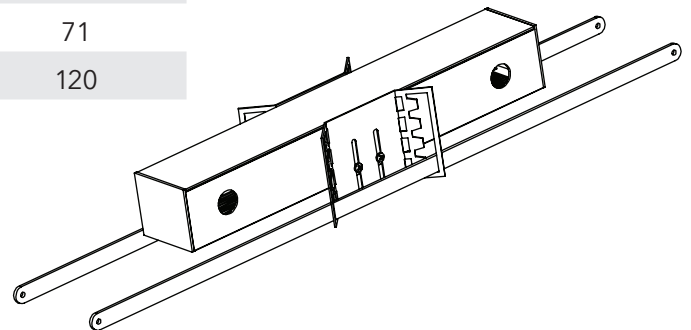
Remote driver housings include bar hangers for mounting above suspended ceilings. Drivers must remain accessible after installation.

Driver housings must be mounted no less than 4 inches apart.

Bar hangers and brackets may be removed for direct mount, with screws, to structure.

Max. Wiring Distance (at full load)

Wire Size (AWG)	Distance (ft.)
18	18
16	29
14	46
12	71
10	120



Polarity must be correct to ensure LED operation (connect wires red to red, blue to blue).