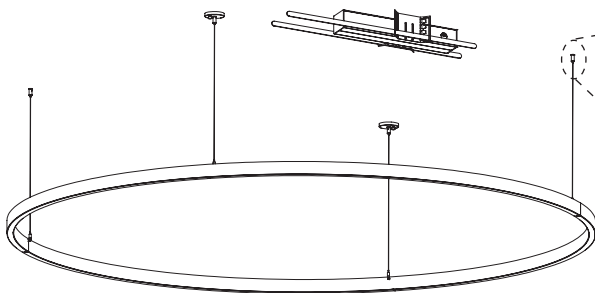


DOS 8 ft.

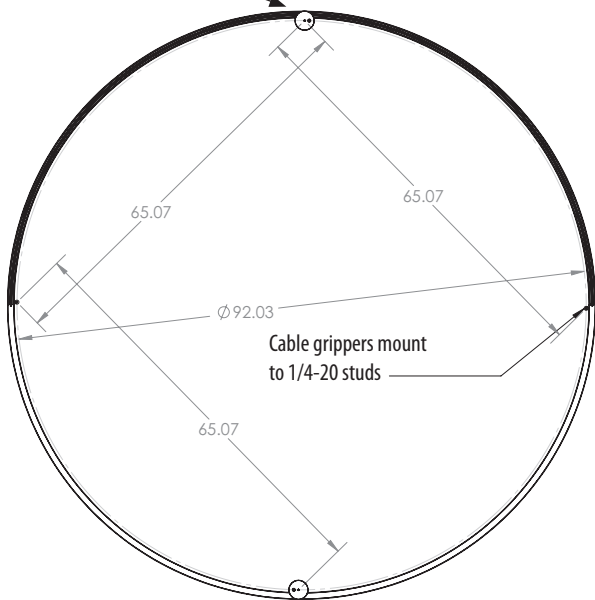
SR-Separate Mount, Remote Driver Installation ou de montage

WARNING: disconnect main power at the source prior to installation! *Only qualified electricians should install Delray Lighting products.*

Two remote driver housings required. (See second sheet for driver info.)



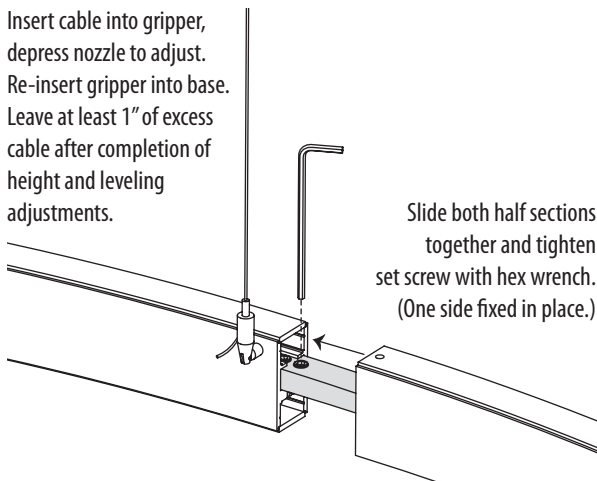
Power feed canopy for each section (2), mounted to 3 in. mudring (by others).



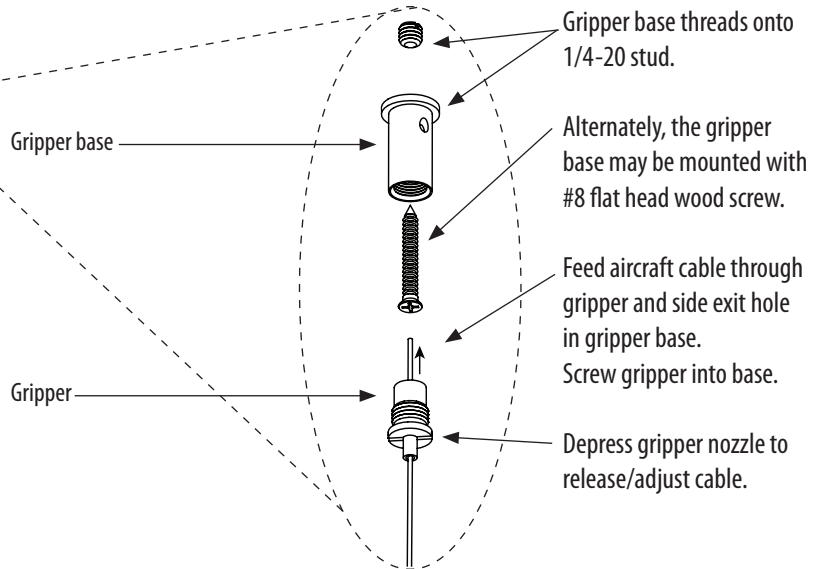
Four mount points, equally spaced at 65.07 in.

NOTE: Max. canopy to fixture distance: 25 feet max.
Canopy to driver distance: 100 feet (with 10 AWG wire).

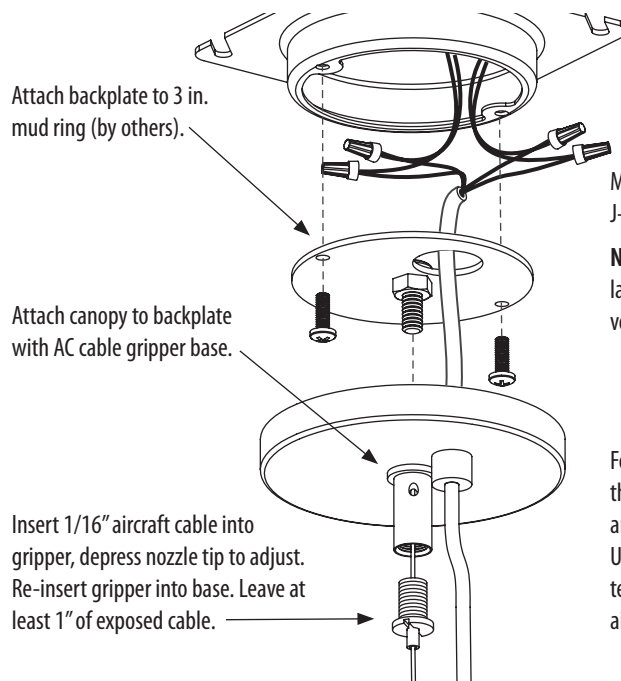
Insert cable into gripper, depress nozzle to adjust. Re-insert gripper into base. Leave at least 1" of excess cable after completion of height and leveling adjustments.



Slide both half sections together and tighten set screw with hex wrench. (One side fixed in place.)



Gripper base threads onto 1/4-20 stud.
Alternately, the gripper base may be mounted with #8 flat head wood screw.
Feed aircraft cable through gripper and side exit hole in gripper base. Screw gripper into base.
Depress gripper nozzle to release/adjust cable.



Attach backplate to 3 in. mud ring (by others).

Attach canopy to backplate with AC cable gripper base.

Make connections in J-box to remote driver.
NOTE: Connection of lamp cord directly to line voltage voids warranty.

Insert 1/16" aircraft cable into gripper, depress nozzle tip to adjust. Re-insert gripper into base. Leave at least 1" of exposed cable.

Feed lamp cord through threaded nipple and backplate. Use O-rings provided to tether lamp cord along aircraft cable.

Dos wiring (per each powerfeed canopy):

Red to DC positive
Blue to DC negative } Driver 1

Red/White to DC positive
Blue/White to DC negative } Driver 2 (to separate switch up & down lights)

Dimming:

Purple and Gray wires from driver to 0-10V dimmer, cap if not used.

DOS 8 ft.

SLRD Remote Driver Instructions Installation ou de montage

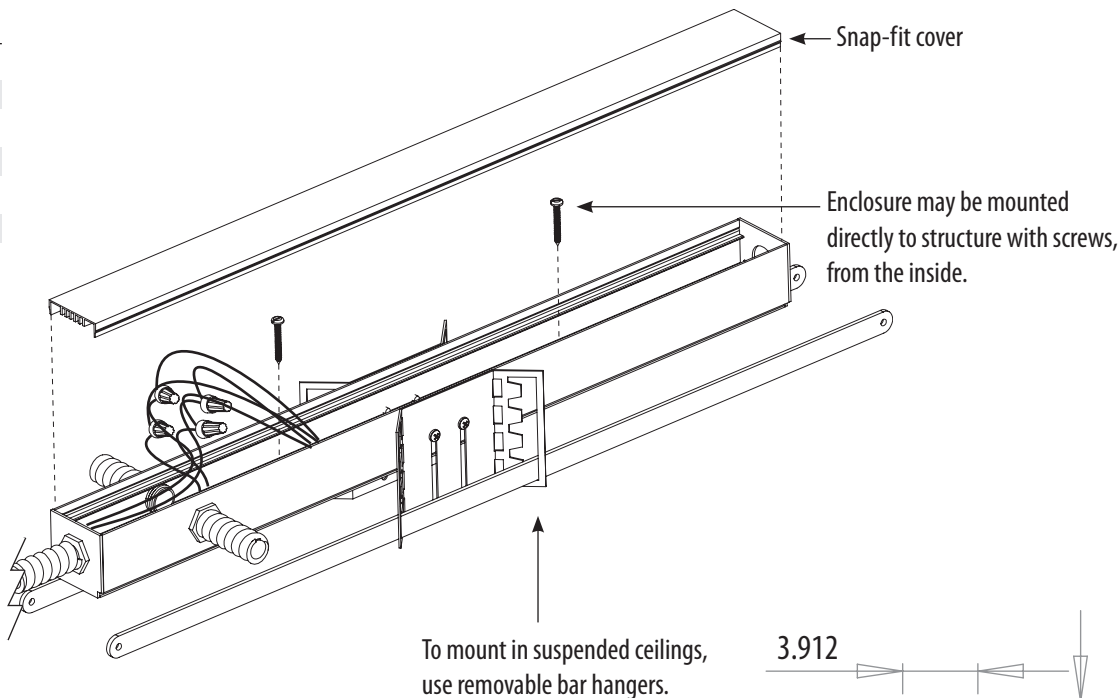
WARNING: disconnect main power at the source prior to installation! *Only qualified electricians should install Delray Lighting products.*

*Max. Wiring Distance (at full load)

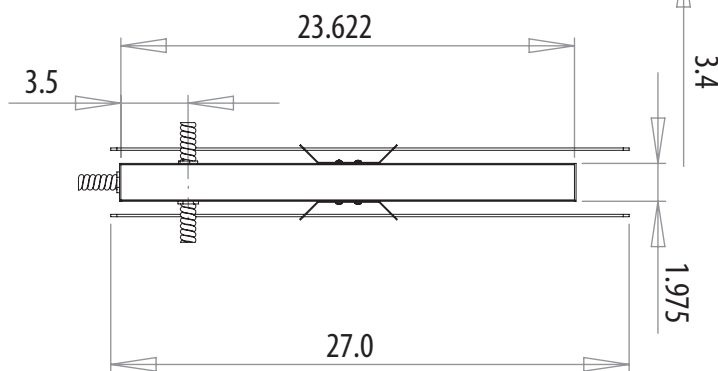
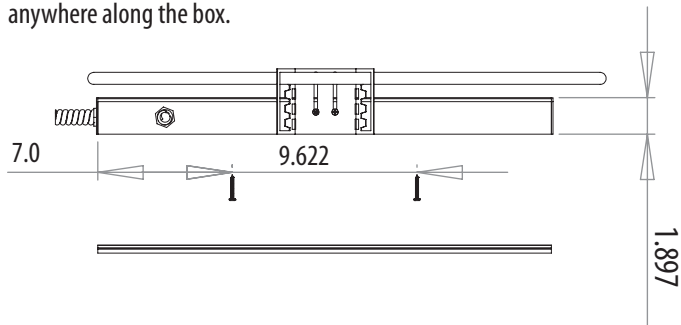
Wire Size (AWG)	Distance (ft.)
18	18
16	29
14	46
12	71
10	120

Enclosure has two knock-outs for 1/2 in. conduit fittings, and may be ordered with optional end caps with knock-outs (shown).

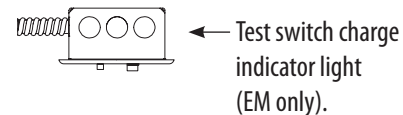
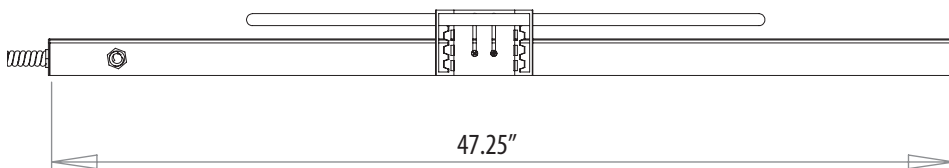
Box knock-outs are 3.5 in. from end.



Mounting holes for #8 screws are 7 in. from the end of the box. Alternate holes may be drilled anywhere along the box.



Emergency Battery Back-Up or RGB DMX



EM option driver housing is longer, and has a surface mount remote test switch (shown above, right).