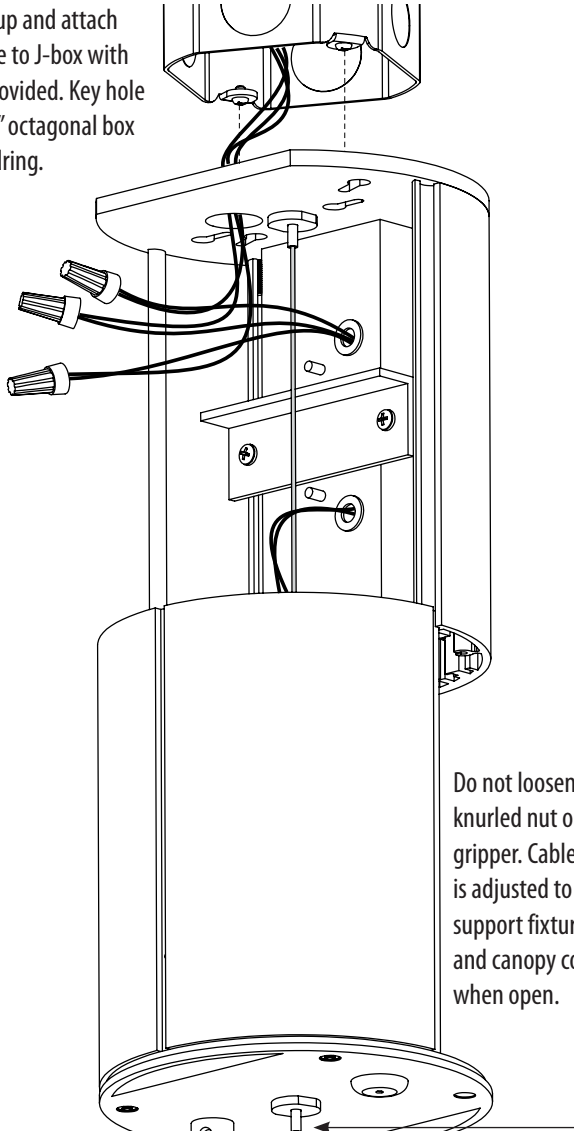


WARNING Risk of fire or electric shock. Installation requires knowledge of LED light fixture electrical systems. Installation should only be done by a qualified, licensed electrician.

1. Read and review all instructions and wiring diagrams thoroughly prior to installation.
2. All electrical connections must be made in compliance with local codes and ordinances, or the National Electrical Code. If you are unfamiliar with those codes, please consult a qualified, licensed electrician.
3. Before beginning installation, disconnect the power by turning off the circuit breaker or by removing the fuse at the fuse box. Turning the power off using the light switch is insufficient to prevent electrical shock.
4. Wire the luminaire following the wiring diagram. Use U.L. Listed wire connectors suitable for the size, type, and number of conductors. No loose strands or loose wires should remain after installation. Secure wire connectors with U.L. listed electrical tape and wire nuts. Restore the electricity, test, and enjoy this Delray Lighting fixture.

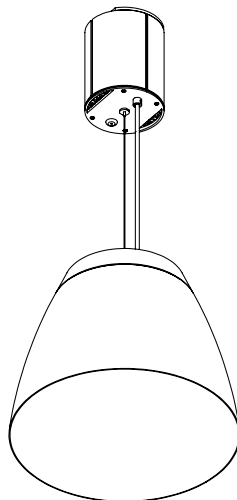
NOTE: the safeguards and instructions appearing in this manual are not meant to address all possible conditions and circumstances that may arise. It must be understood that caution, common sense, and best trade practices are factors that cannot be built into any product. Those factors must be supplied by the person(s) installing and operating the lighting fixture.

❶ Wire-up and attach back plate to J-box with screws provided. Key hole slots fit 4" octagonal box or 3" mudring.

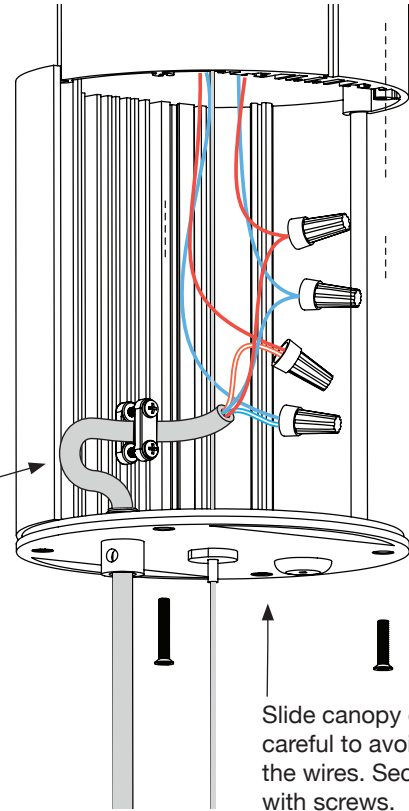


Do not loosen knurled nut on gripper. Cable is adjusted to support fixture and canopy cover when open.

Remove only philips head screws to open canopy. Torx head screws remain in place.

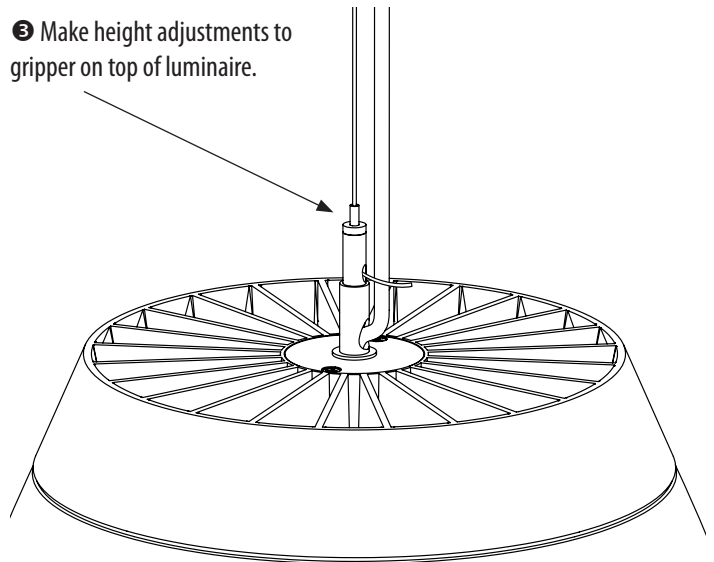


❷ Cut cord to desired length. Use screw down strain relief to secure.

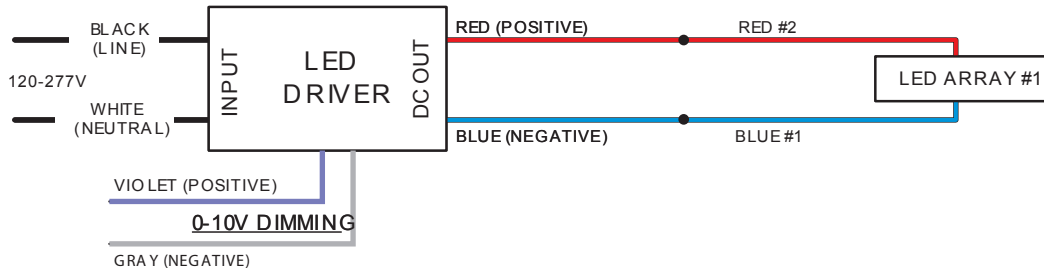


Slide canopy closed, careful to avoid pinching the wires. Secure canopy with screws.

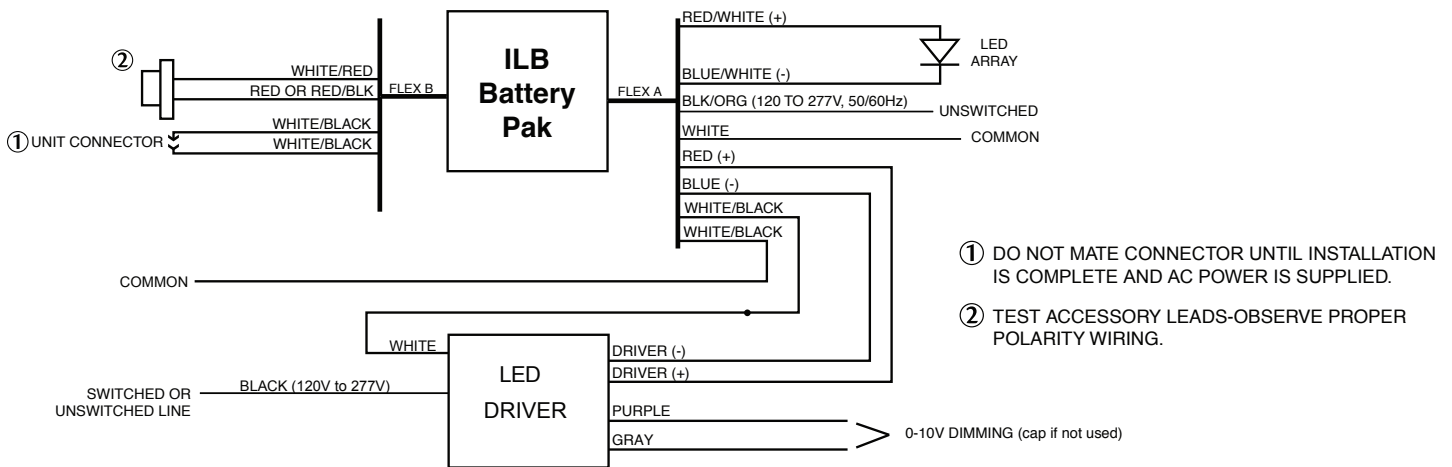
❸ Make height adjustments to gripper on top of luminaire.



Wiring Diagram

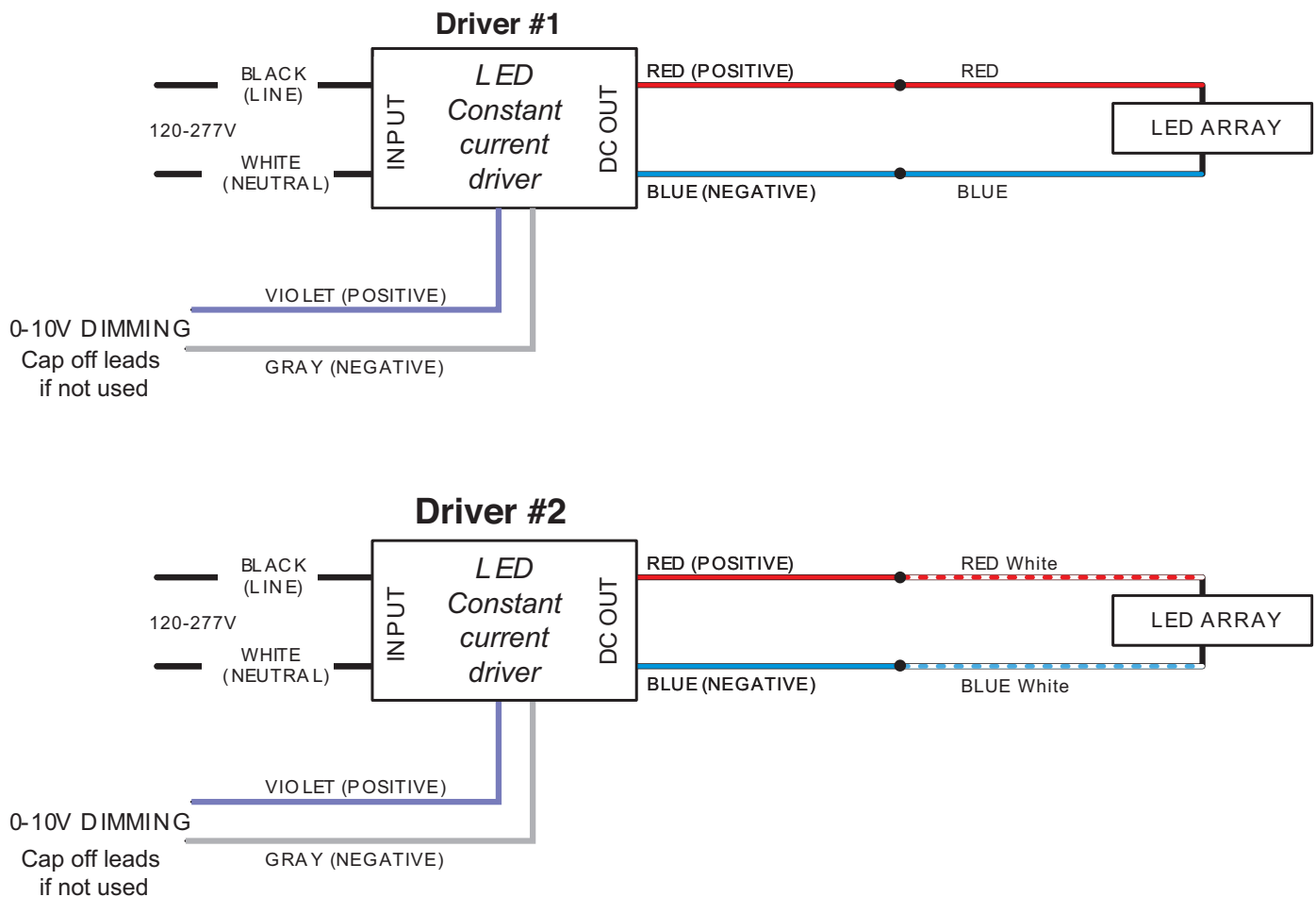


Wiring Diagram | Emergency Backup



For Wiring Diagram | High Output, Two Drivers, see page 4 of 4.

Wiring Diagram | High Output, Two Drivers



WARNING Risk of fire or electric shock. Installation requires knowledge of LED light fixture electrical systems. Installation should only be done by a qualified, licensed electrician.

1. Read and review all instructions and wiring diagrams thoroughly prior to installation.
2. All electrical connections must be made in compliance with local codes and ordinances, or the National Electrical Code. If you are unfamiliar with those codes, please consult a qualified, licensed electrician.
3. Before beginning installation, disconnect the power by turning off the circuit breaker or by removing the fuse at the fuse box. Turning the power off using the light switch is insufficient to prevent electrical shock.
4. Wire the luminaire following the wiring diagram. Use U.L. Listed wire connectors suitable for the size, type, and number of conductors. No loose wires should remain after installation. Secure wire connectors with U.L. listed electrical tape and wire nuts. Restore the electricity, test, and enjoy this Delray Lighting fixture.

NOTE: the safeguards and instructions appearing in this manual are not meant to address all possible conditions and circumstances that may arise. It must be understood that caution, common sense, and best trade practices are factors that cannot be built into any product. Those factors must be supplied by the person(s) installing and operating the lighting fixture.