

WARNING: disconnect main power at the source prior to installation! *Only qualified electricians should install Delray Lighting products.* See additional safeguards.

WARNING Risk of fire or electric shock. The installation requires knowledge of LED lighting fixture electrical systems. If not qualified, do not attempt installation. Contact a qualified electrician.

Attach back plate to octagonal box or 3 in. mudring (by others).

Remove both canopy side screws to open.

Wire up lamp cord to driver output.

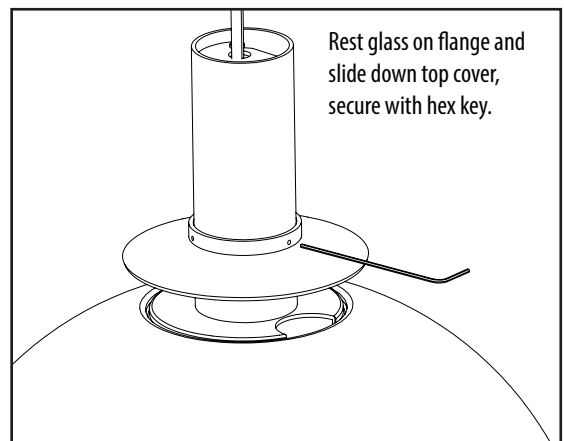
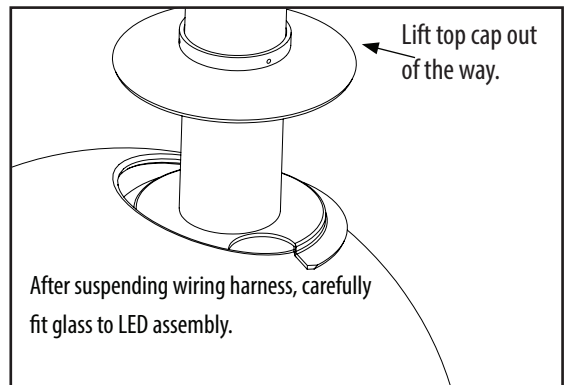
Install crimp strain relief, re-attach canopy.

Connect drive to line voltage and dimming control wires (if applicable).

1. To ensure the success of the installation, be sure to read these instructions and review the diagram thoroughly before beginning.
2. All electrical connections must be in accordance with local codes, ordinances or the National Electrical Code. If you are unfamiliar with methods of installing electrical wiring, secure the services of a qualified licensed electrician.
3. Before starting the installation, disconnect the power by turning off the circuit breaker or by removing the fuse at the fuse box. Turning the power off using the light switch is not sufficient to prevent electrical shock.

NOTE: The important safeguards and instructions appearing in this manual are not meant to cover all possible conditions and situations that may occur. It must be understood that common sense, caution and care are factors which cannot be built into any product. These factors must be supplied by the person(s) caring for and operating the fixture.

Wire the luminaire following the wiring diagram. Use U.L. Listed wire connectors suitable for the size, type and number of conductors. No loose strands or loose wires should be present. Secure the wire connectors with U.L. listed electrical tape and wire nuts. Restore electricity and check your new lighting fixture.

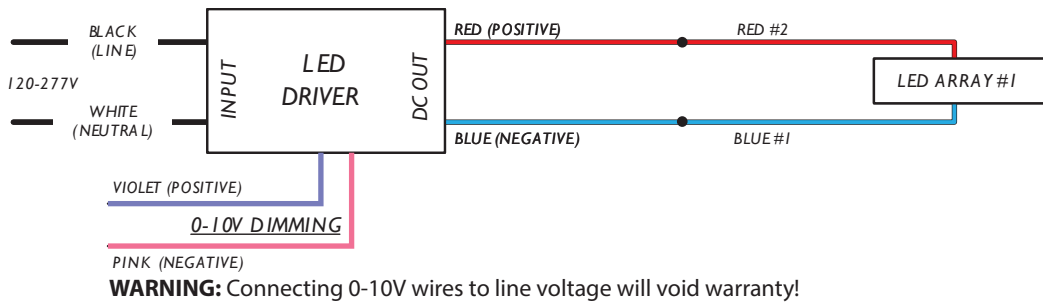


Depress push button cable gripper to adjust height. Leave at least 1 in. excess cable protruding from gripper exit hole.

WIRING DIAGRAM



Standard wiring with 0-10V dimming



Emergency Backup wiring with 0-10V dimming

