

Textura pendant

textured metal LED pendant



CONSTRUCTION

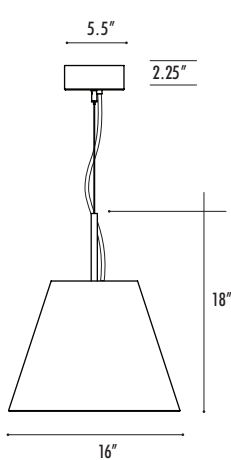
- Handcrafted spun aluminum shade
- Three optic options:
 - **E**-Eclipse: recessed indirect, non-glare medium flood.
 - **L**-Lensed: recessed direct wide flood.
 - **S**-Spot: recessed direct faceted reflector, 30-degree spot.
- For details, see p. 2.
- 6 ft. gray or white 18 AWG adjustable power cord supplied, standard. Specify **XP** for additional length (25 ft. max.).
- Drivers installed in surface mount canopy.
- cUL listed for dry locations only.

TYPE:	PROJECT:
ORDER NUMBER:	

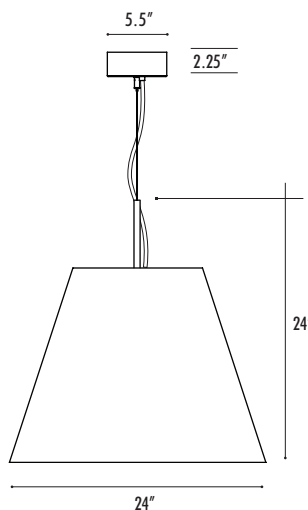
MODEL#	EXTERIOR FINISHES		INTERIOR FINISHES	LEDS	OPTIC	DIMMING	OPTIONS
ILTC1 ILTC2 ILTC3	K -Black ES -Espresso K -Black CH -Chocolate ST -Silver Taupe	W -White LG -Lt. Gray DG -Dk. Gray SN -Sand T -Teal	W -White G -Gold	W30 W35	E -Eclipse L -Lensed S -Spot	D -Standard BDIM-W11 DA -DALI	EM -Emergency EMR -Emergency Remote
Example:							
ILTC1	T		W	W35	L	D	

XP -Extra power cord (in inches, 25 ft. max.)	CM1 -Hard Stem (in inches)
--	-----------------------------------

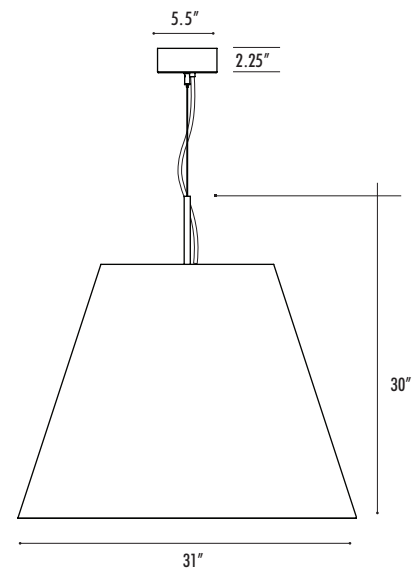
ILTC1



ILTC2



ILTC3



Textura pendant

textured metal LED pendant



WHITE LEDS

Eclipse and Lensed optics utilize Nichia L757 LED boards, while the Spot optic is Bridgelux COB LED. 90 CRI. Specify color: **W30**–3000° Kelvin or **W35**–3500° Kelvin.

DIMMING

- **D**—standard supplied driver. 0–10V, programmable, 1% dimming, 120/277V, 50/60 Hz.
- **BDIM-W11**—Lutron EcoSystem LED14 Series, 1% dimming, fade-to-off.
- **DA**—DALI, 1% dimming, fade-to-off. 120/277V, 50/60 Hz.

WATTS / LUMENS (LENSED OPTIC)

MODEL	WATTS	DELIVERED LUMENS	EFFICACY (LUMENS/WATT)	CRI	R9
ILTC1	44	3,840	88	90	50
ILTC2	48	4,170*	88	90	50
ILTC3	52	4,500*	88	90	50

*Calculated

REMOTE DRIVERS

For suspended and hard lid ceilings with access panels. Canopy mounts to mud ring attached to J-box. Must be accessible after installation.

Standard pendant length: 6 ft. Specify **XP** for extra pendant.

Maximum canopy to fixture distance: 25 ft. Maximum canopy to driver distance: 100 ft. (with 10 AWG wire).



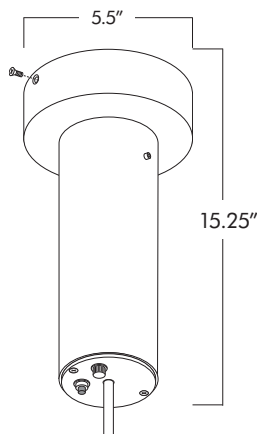
Remote Driver Canopy
3.8 x 0.45 in.

EMERGENCY REMOTE

Battery pack provides 10W for 90 minutes. Includes red light/test switch in handybox. Order **EMR**.

EMERGENCY

Provides 10W for 90 minutes. Canopy shown below. Order **EM**.



OPTICS

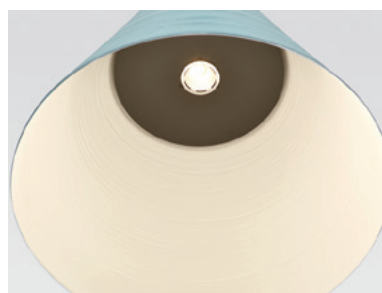
E—Eclipse



L—Lensed



S—Spot



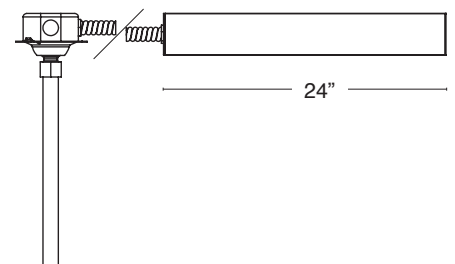
HARD STEM

CM1—1/2" ID hard stem option, supplied with swivel canopy for earthquake code, sloped ceilings, and indoor areas with light air movement (e.g., near HVAC vents).

Pipe replaces power cord and cable. Length must be specified. Pipe longer than 8 ft. will be shipped in two sections—one 8 ft., the other for the balance—with painted, threaded pipe coupler and set screws.



Remote installed required.



Textura pendant

textured metal LED pendant



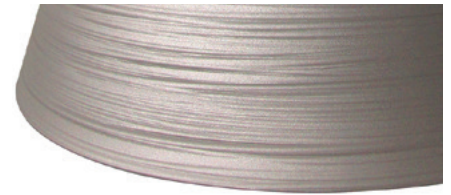
EXTERIOR FINISHES



K - Black



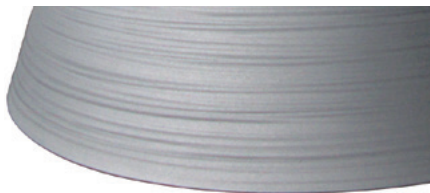
W - White



ST - Silver Taupe



ES - Espresso



LG - Light Gray



SN - Sand



CH - Chocolate



DG - Dark Gray



T - Teal

SCALE

