



LED STICK

adjustable
linear LED lights



SLT4 • SLW5 • SLW6 • SLW7 • SLT6 • SLT7 • SLT9



Bare
(no trim)

STICK Adjustable LED strip lights update Delray's popular fluorescent strip lights with efficient, high CRI LED engines inside a rotating tube, so light may be directed where needed.

Available in 2, 3, and 4-foot lengths, fixtures may be pendant or surface mounted, in stand-alone and/or continuous row configurations. Five optional trims are offered (see p. 2).

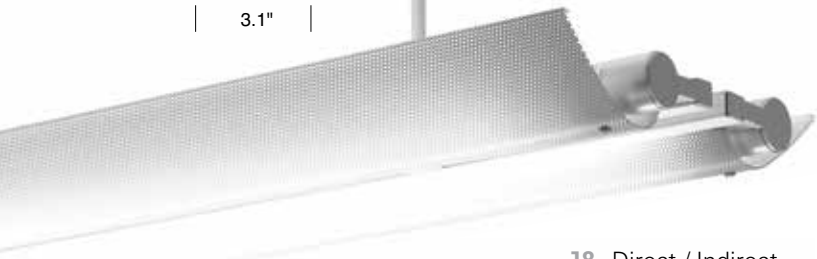
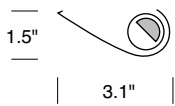
Driven by 0–10V, 1% dimming, programmable drivers, STICK Adjustable LED is available in 3000, 3500, or 4000°K white LEDs, which may be factory-tuned to 3500 or 2100 lumens.

Henkel Headquarters
Scottsdale, Arizona

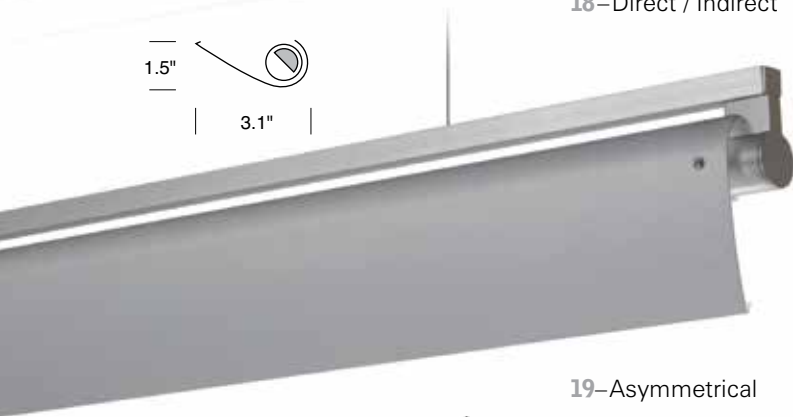
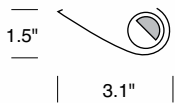
Will Bruder & Partners, CH2M Hill

Photo by Bill Timmerman

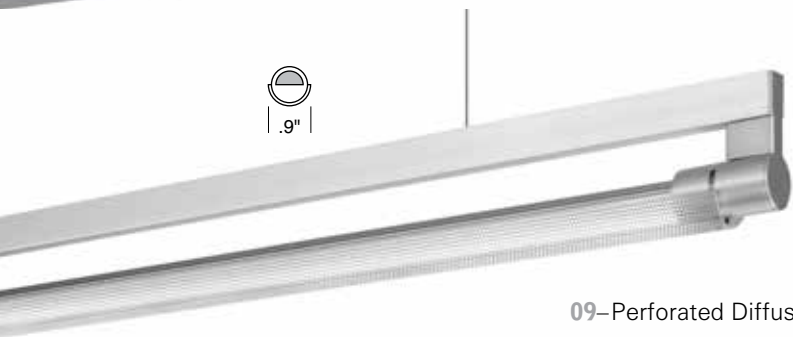
Stick LED optics & trims



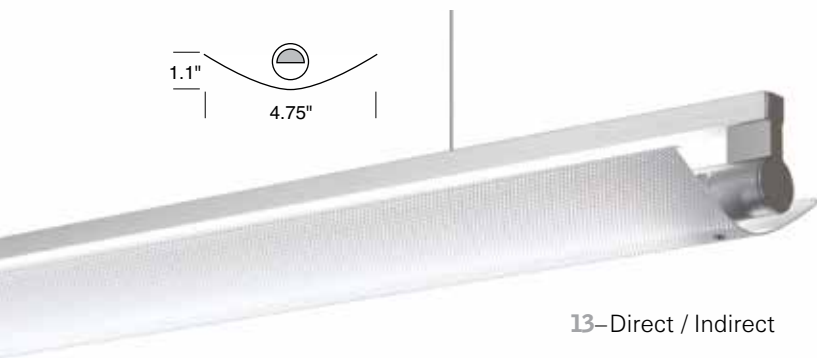
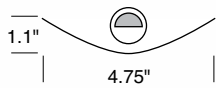
18-Direct / Indirect



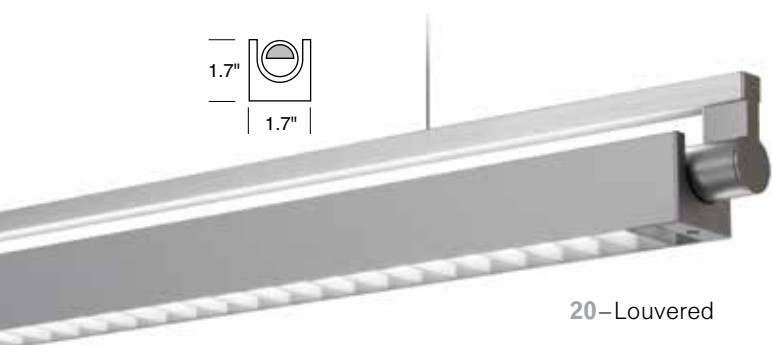
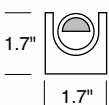
19-Asymmetrical



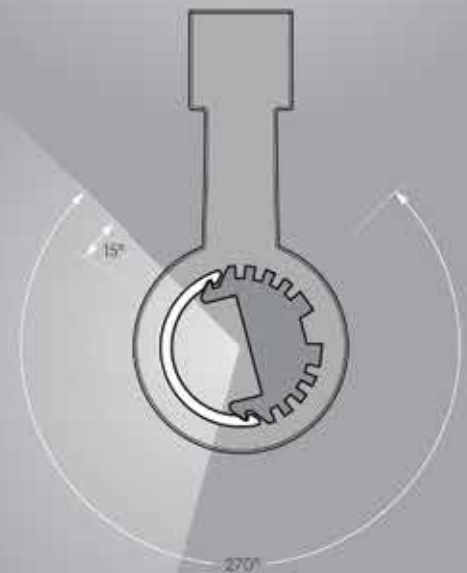
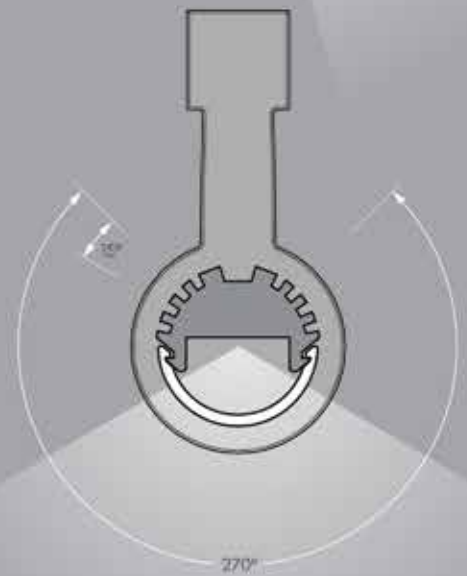
09-Perforated Diffuser



13-Direct / Indirect

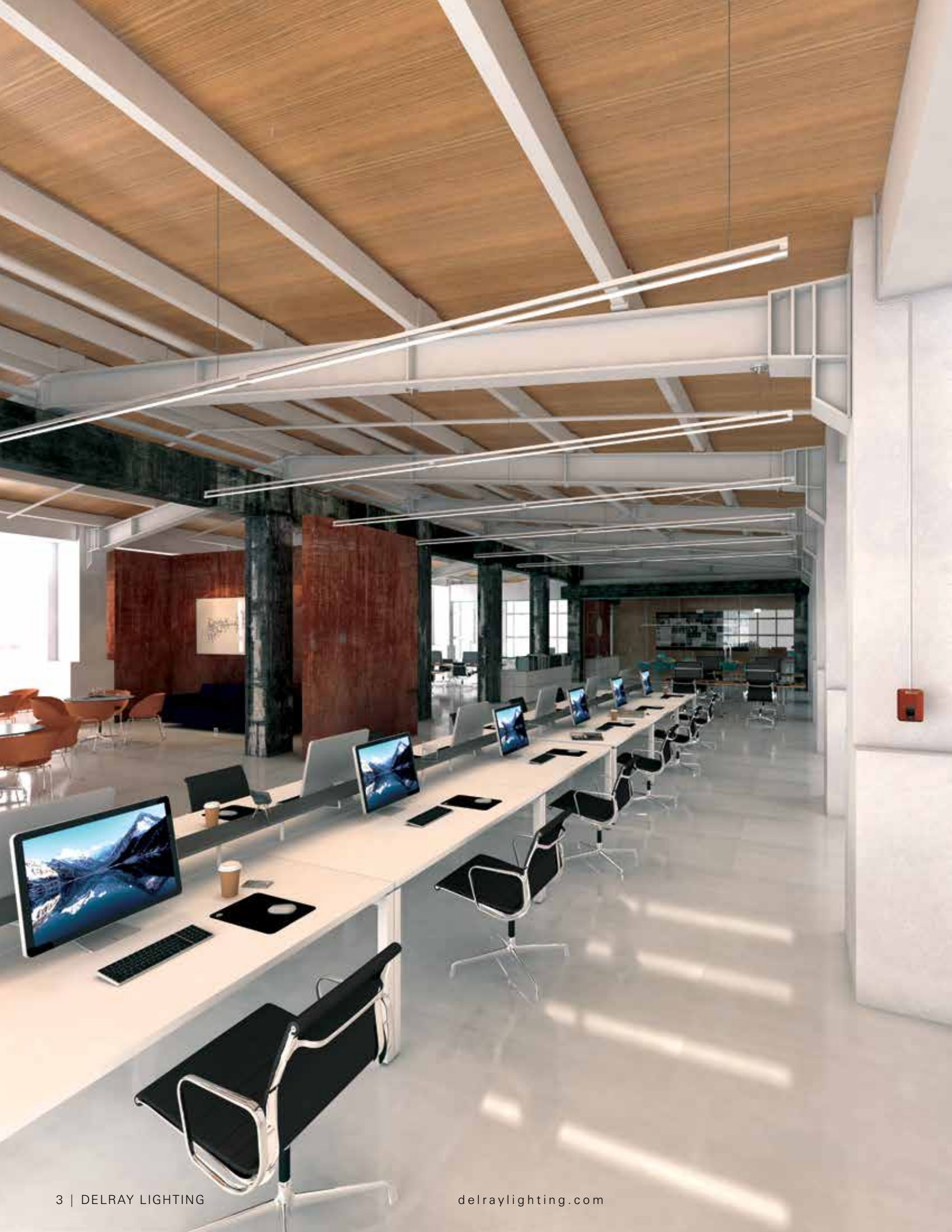


20-Louvered



Adjustability

Stick Adjustable LED's directional engine rotates 270°, in 15° stepped increments, so multiple fixtures may all be set at the same beam angle.



Stick SLT4

single pendant



ONE-LINEAR ENGINE PENDANT (4/3/2 FT.)



Bare (no trim) shown. For Trims and Optics, see page 2.

SLT44 standard mount pendant

TWO-LINEAR ENGINE PENDANT (8/6 FT.)



SLT48 remote mount pendant

SLT4 CONNECTING SECTIONS

RIGHT

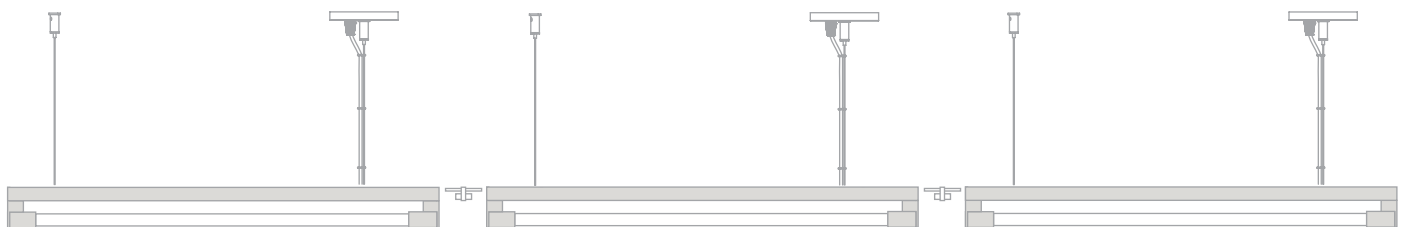
SLTR open on right side of cord

MIDDLE

SLTM open on both ends

LEFT

SLTL open on left side of cord



RIGHT SIDE CONNECTION

MIDDLE CONNECTION

LEFT SIDE CONNECTION

	LENGTH
SLTR48L0/H0	8'
SLTR46L0/H0	6'
SLTR44L0/H0	4'
SLTR43L0/H0	3'
SLTR42L0/H0	2'

	LENGTH
SLTM48L0/H0	8'
SLTM46L0/H0	6'
SLTM44L0/H0	4'
SLTM43L0/H0	3'
SLTM42L0/H0	2'

	LENGTH
SLTL48L0/H0	8'
SLTL46L0/H0	6'
SLTL44L0/H0	4'
SLTL43L0/H0	3'
SLTL42L0/H0	2'

For watt and lumen information, see back page.



The Doves Studio
Santa Monica, California
Kaveh Amirdelfan, Architect
Greg Bleier, Interior Designer

Stick SLW5

single surface



ONE-LINEAR LED ENGINE PENDANT (4/3/2 FT.)

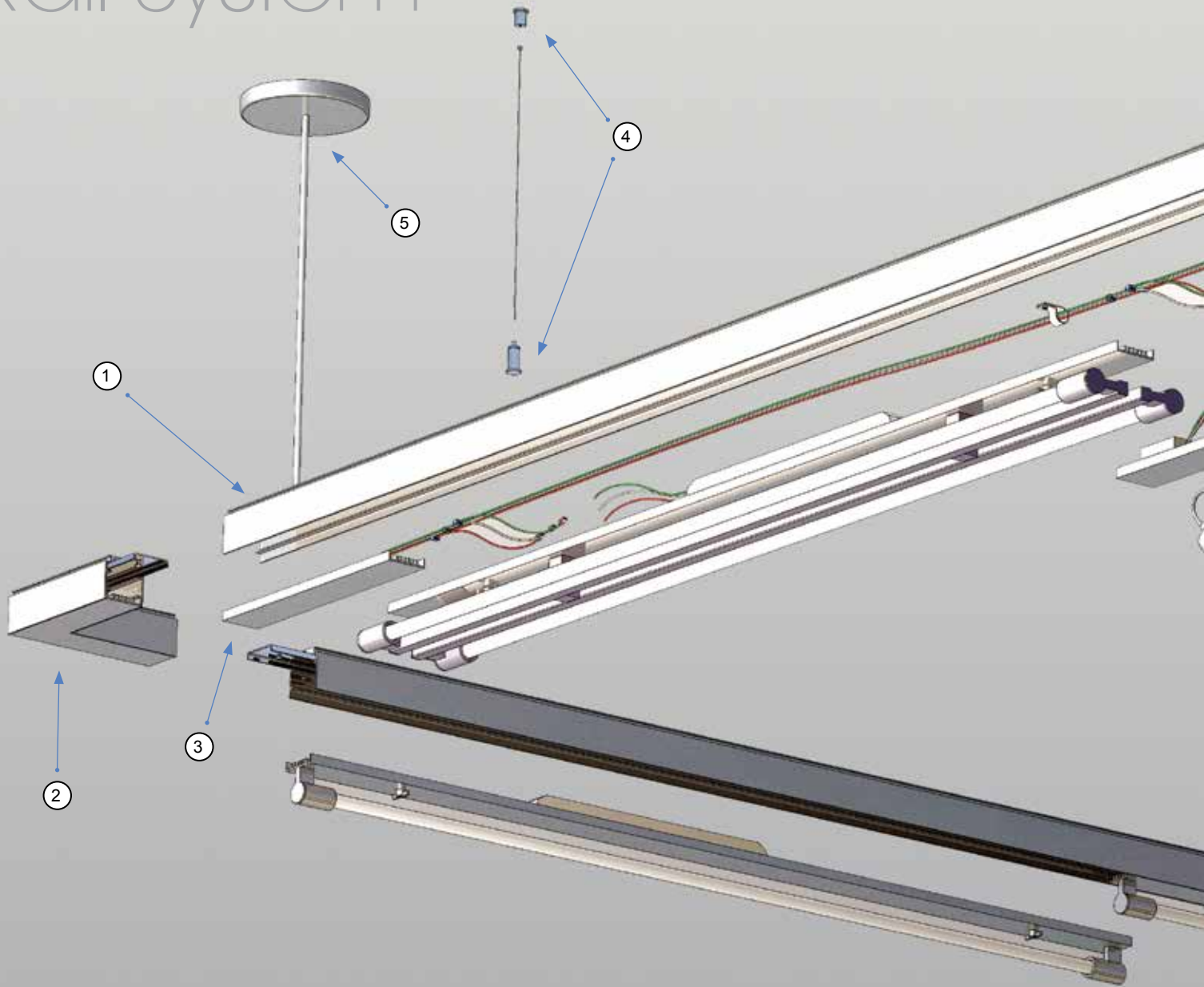
Bare (no trim) shown. For Trims and Optics, see page 2.



MODEL	LENGTH
SLW54L0/H0	4 ft.
SLW53L0/H0	3 ft.
SLW52L0/H0	2 ft.

For watt and lumen information, see back page.

Rail System



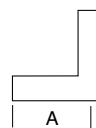
① MOUNTING RAILS

Matte anodized aluminum sections, include joining plate and wiring harness.

CATATOG NUMBER	LENGTH INCHES	LENGTH MM
SR24	23.6	600
SR36	35.4	900
SR48	47.25	1200
SR60	59.0	1500
SR72	70.9	1800
SR96	94.5	2400

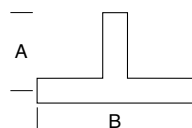
② 90° CORNER JOINTS

CAT.#	INCHES	MM
SRL	5.9	150



T-CONNECTORS

CATATOG NUMBER	LENGTH INCHES	LENGTH MM
SRT A	5.9	150
B	11.8	300

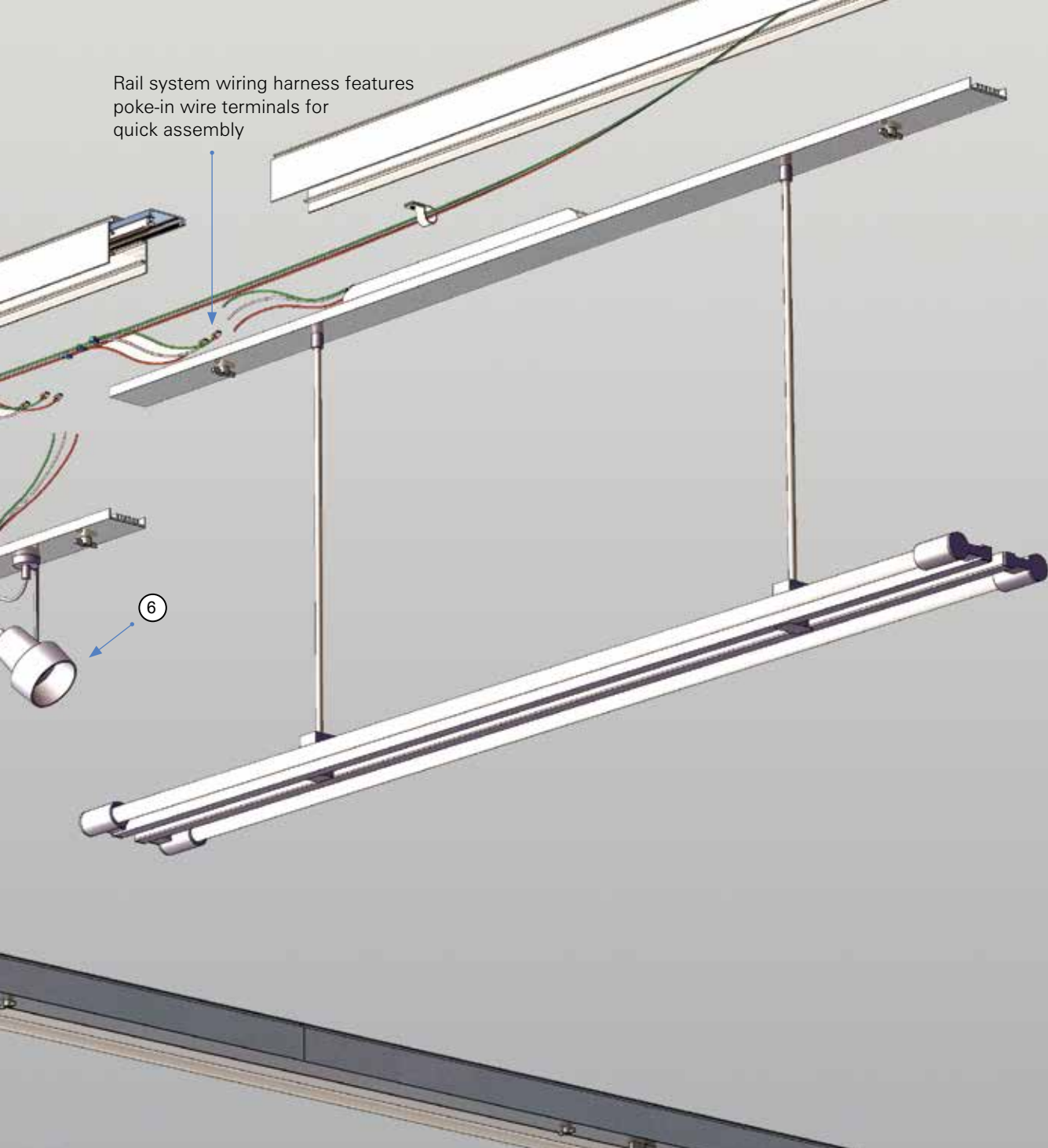


③ COVER SECTIONS

Rail fixtures supplied mounted to matte anodized aluminum section, which snaps to mounting rail. Fixture-spacing blank cover sections are available in the following sizes:

Catatalog Number	Length Inches	Length mm
SC12	11.8	300
SC24	23.6	600
SC36	35.4	900
SC48	47.25	1200
SC60	59.0	1500
SC72	70.9	1800
SC96	94.5	2400

Rail system wiring harness features poke-in wire terminals for quick assembly



④ CABLE SUSPENSION ASSEMBLIES

Cat. #
SAC—8 ft. of aircraft cable with top and bottom cable gripper, specify extra length, if required.

⑤ POWER FEED CANOPIES

Cat. #
SPF4—8 ft. silver braided 4-conductor cord.
SPF5—8 ft. silver braided 5-conductor cord.

⑥ LED SPOTLIGHT SECTIONS

Cat. #
SW1MRLED—300mm covering section, with one adjustable LED MR16 spot light.

SW2MRLED—600mm covering section, with two adjustable LED MR16 spot lights.

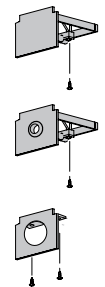
SW3MRLED—900mm covering section, with three adjustable LED MR16 spot lights.

RAIL END COVERS

Cat. #
SE0—no hole

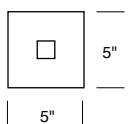
SE1—with $\frac{3}{8}$ " cord hole

SE2—with $\frac{7}{8}$ " hole for conduit



J-BOX COVERS

Cat. #
S100P—Conduit should be fed directly to rail housings. However, use cover when mounting to J-Box.

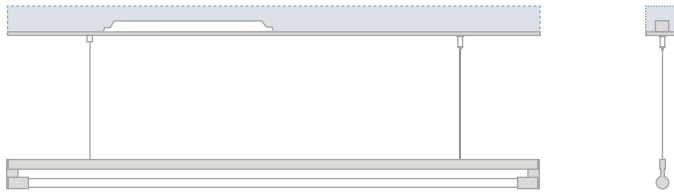




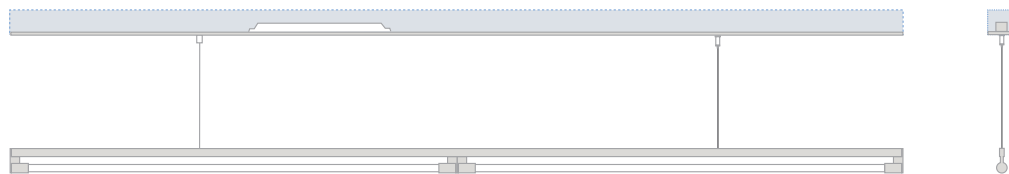
Stick SLT6/SLT7

single pendant/surface rail

SLT64—ONE-LINEAR ENGINE, RAIL, PENDANT (4/3/2 FT.)

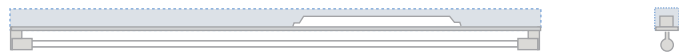


SLT68—TWO-LINEAR ENGINE, RAIL, PENDANT (8/6 FT.)

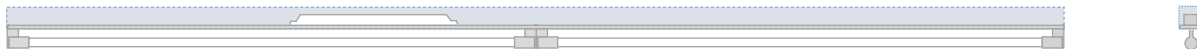


Bare (no trim) shown. For Trims and Optics, see page 2.

SLT74—ONE-LINEAR ENGINE, RAIL, SURFACE (4/3/2 FT.)



SLT78—TWO-LINEAR ENGINE, RAIL, SURFACE (8/6 FT.)



SLT6 CONNECTING SECTIONS

RIGHT

MIDDLE

LEFT

SLTR open on right side of cord

SLTM open on both ends

SLTL open on left side of cord



RIGHT SIDE CONNECTION

MIDDLE CONNECTION

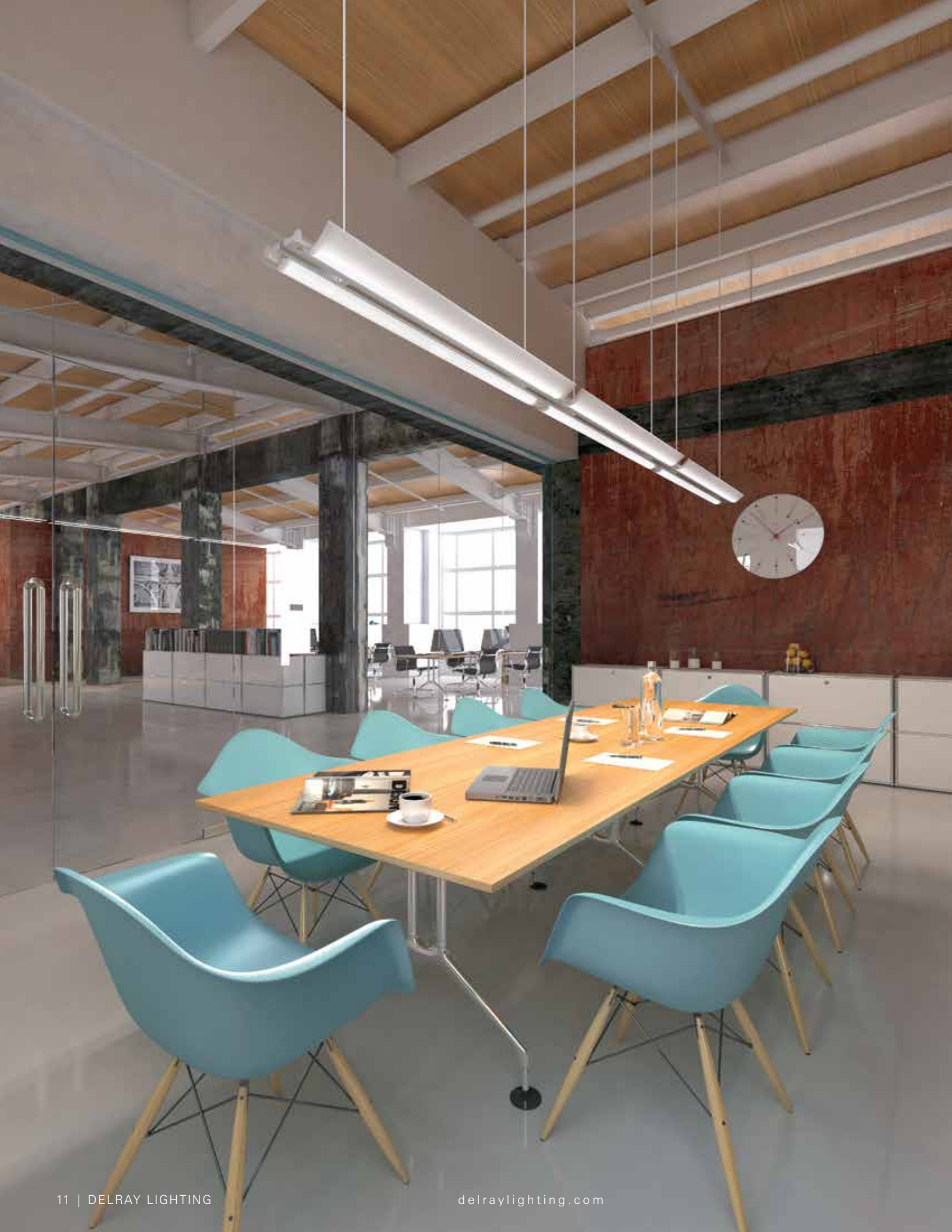
LEFT SIDE CONNECTION

	LENGTH
SLTR68L0/H0	8'
SLTR66L0/H0	6'
SLTR64L0/H0	4'
SLTR63L0/H0	3'
SLTR62L0/H0	2'

	LENGTH
SLTM68L0/H0	8'
SLTM66L0/H0	6'
SLTM64L0/H0	4'
SLTM63L0/H0	3'
SLTM62L0/H0	2'

	LENGTH
SLTL68L0/H0	8'
SLTL66L0/H0	6'
SLTL64L0/H0	4'
SLTL63L0/H0	3'
SLTL62L0/H0	2'

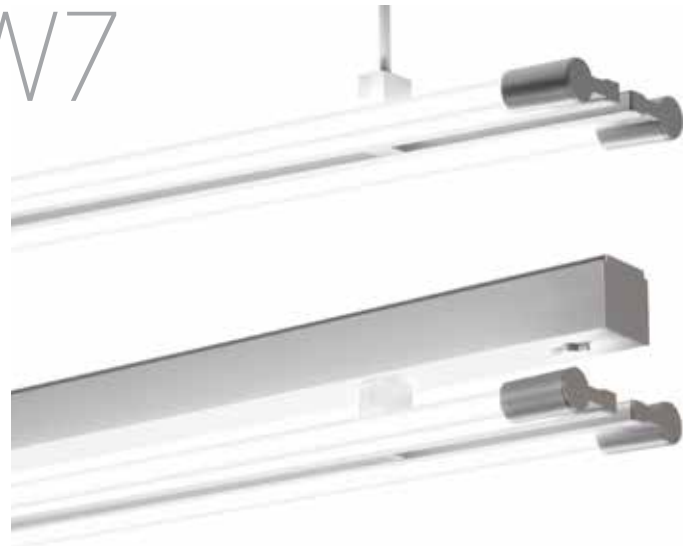
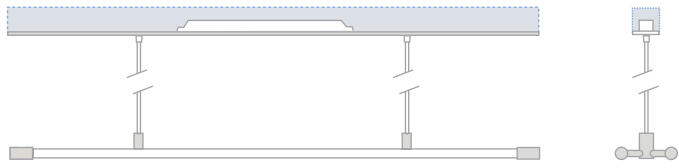
For watt and lumen information, see back page.



Stick SLW6/SLW7

double pendant / rail

SLW64—DOUBLE LINEAR ENGINE RAIL, PENDANT
(4/3/2 FT.)

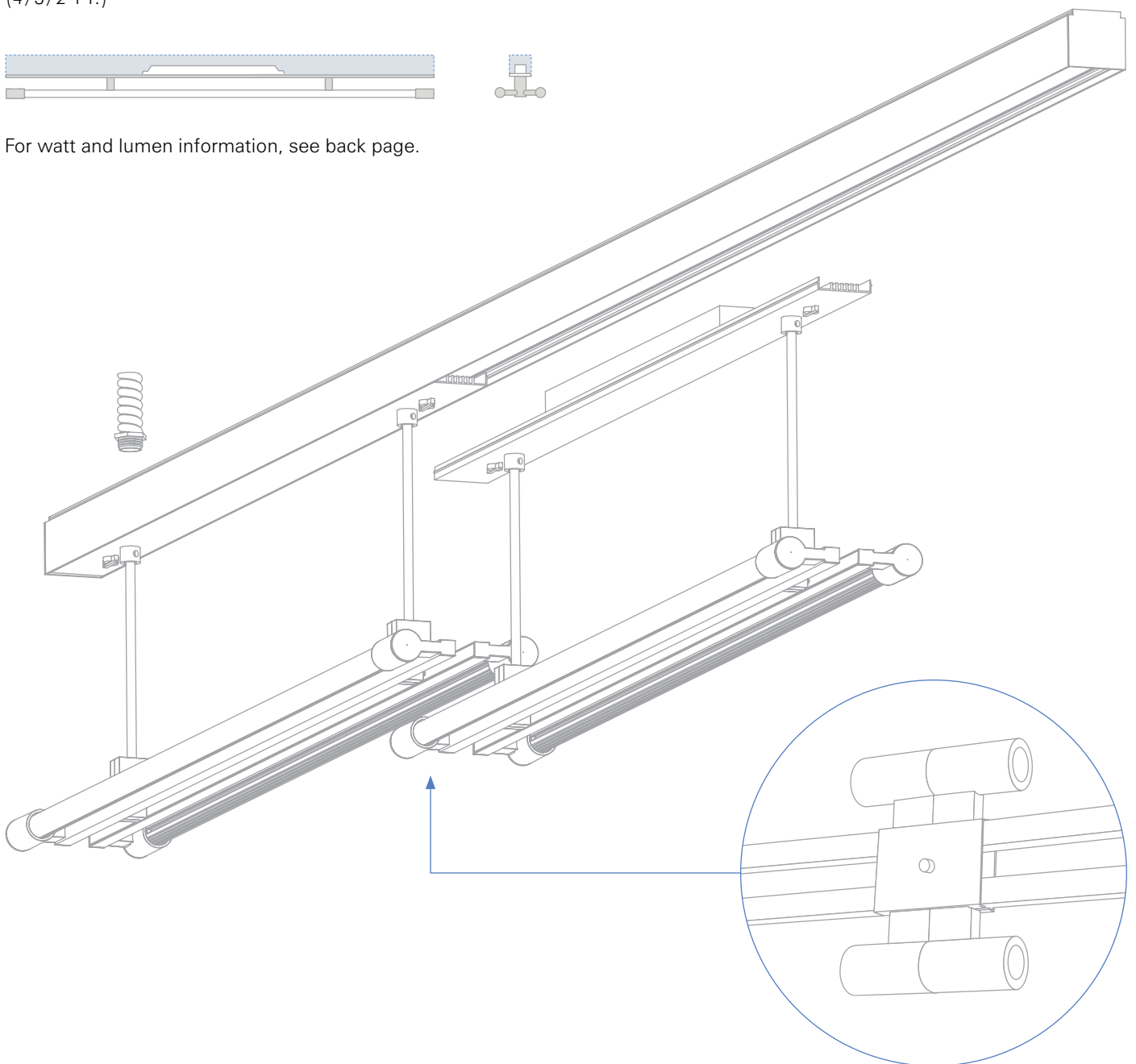


SLW74—DOUBLE LINEAR ENGINE, RAIL, SURFACE
(4/3/2 FT.)



Bare (no trim) shown. For Trims and Optics, see page 2.

For watt and lumen information, see back page.





Stick SLT9

wall/ceiling arm mount



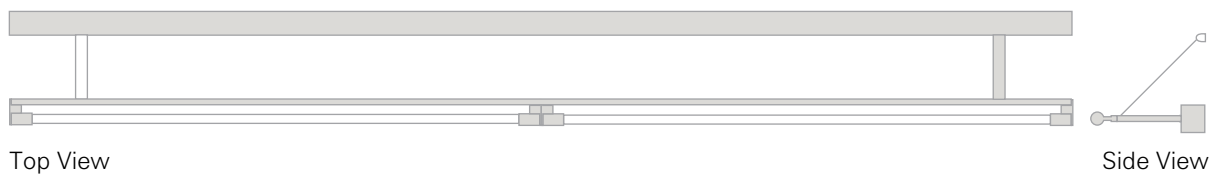
ONE-LINEAR ENGINE, RAIL, CANTILEVER (4/3/2 FT.)



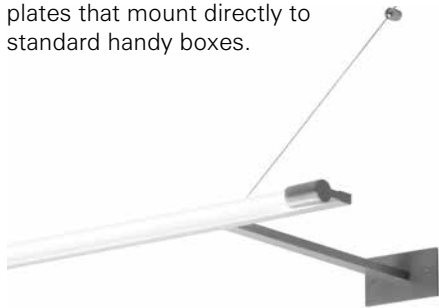
*Bare (no trim) model and remote driver install shown.
For Trims and Optics, see page 2.*

Projection lengths: 6–24 inches.

TWO-LINEAR ENGINE, RAIL, CANTILEVER (8/6 FT.)



SRB9S – 2" x 4" rectangular cover plates that mount directly to standard handy boxes.



SRB9R – 4" round cover plates that mount to mud rings.



SLT9 CONNECTING SECTIONS

RIGHT

MIDDLE

LEFT

SLTR open on right side of cord

SLTM open on both ends

SLTL open on left side of cord



RIGHT SIDE CONNECTION

MIDDLE CONNECTION

LEFT SIDE CONNECTION

	LENGTH
SLTR98L0/H0	8'
SLTR96L0/H0	6'
SLTR94L0/H0	4'
SLTR93L0/H0	3'
SLTR92L0/H0	2'

	LENGTH
SLTM98L0/H0	8'
SLTM96L0/H0	6'
SLTM94L0/H0	4'
SLTM93L0/H0	3'
SLTM92L0/H0	2'

	LENGTH
SLTL98L0/H0	8'
SLTL96L0/H0	6'
SLTL94L0/H0	4'
SLTL93L0/H0	3'
SLTL92L0/H0	2'

For watt and lumen information, see back page.

Stick

adjustable linear LED specifications + options

MODEL	LENGTH (FT.)	OUTPUT	LEDS	MOUNT OPTIONS	DIMMING	EMERGENCY	SPOTLIGHT (RAIL ONLY)
SLW5	4 3 2	HO LO	W30 W35 W40	SW200S —Wall Box Mount Plate (Silver) SW200W —Wall Box Mount Plate (white)	D BDIM-W11	EM7 EM12	N/A
SLT4 SLT9	8 6 4 3 2	HO LO	W30 W35 W40	SLRD —Remote LED Driver SFB —Flush Panel	D BDIM-W11	EM7 EM12	N/A
SLT6 SLT7 SLW6 SLW7	8 6 4 3 2	HO LO	W30 W35 W40	SLRD —Remote LED Driver SFB —Flush Panel Recessed Driver Box	D BDIM-W11	EM7 EM12	SW1MLED SW2MLED SW3MLED

WHITE LEDS

Nichia Corp. NFSL757 tight bin chips on aluminum boards.
Specify color: **W30**—3000° Kelvin, **W35**—3500° Kelvin,
or **W40**—4000° Kelvin. 90 CRI.

DIMMING

D—Standard 0–10V, programmable, 1% dimming, 120/277V,
50/60 Hz.

BDIM-W11—Lutron EcoSystem LDE14 Series, 1% dimming,
fade-to-off.

CUSTOM LUMEN REDUCTION

Factory-set custom reduced lumen output. Order **XL**.
Specify lumens.

EMERGENCY BATTERY PACK

For 4' through 8' fixtures only. Ignites LEDs for 90 minutes.
Adds additional length to driver housing. Voltage must
be specified.

EM7—7W for 90 minutes.

EM12—12W for 90 minutes.

WATTS / LUMENS / EFFICACY

LENGTH (ft.)	WATTS—HO	WATTS—LO	DELIVERED LUMENS—HO	DELIVERED LUMENS—LO	EFFICACY
8	59	29	5,772	2,886	97 LPW
6	42	21	4,330	2,165	97 LPW
4	29	14	2,886	1,443	97 LPW
3	21	10.5	2,165	1,082	97 LPW
2	14	7	1,443	722	97 LPW