



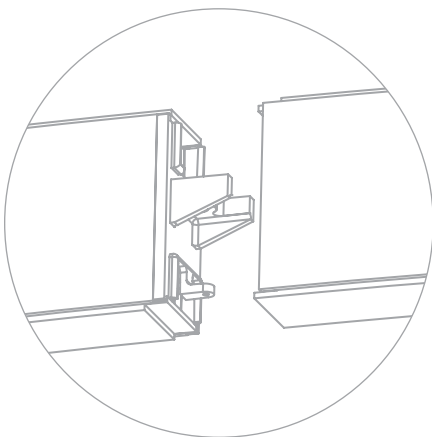
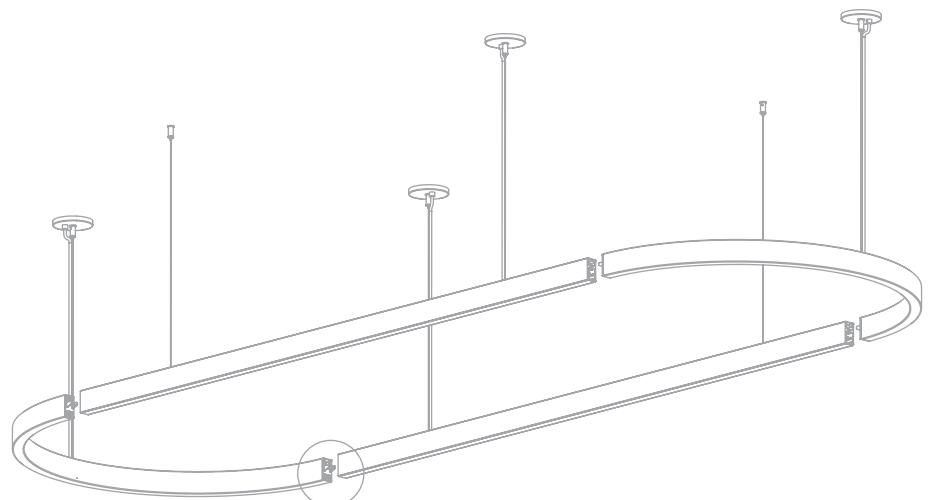
# LED DOS CURVE



MODULAR SHAPES & CONTOURS



CURVED & LINEAR MODULES - OVAL

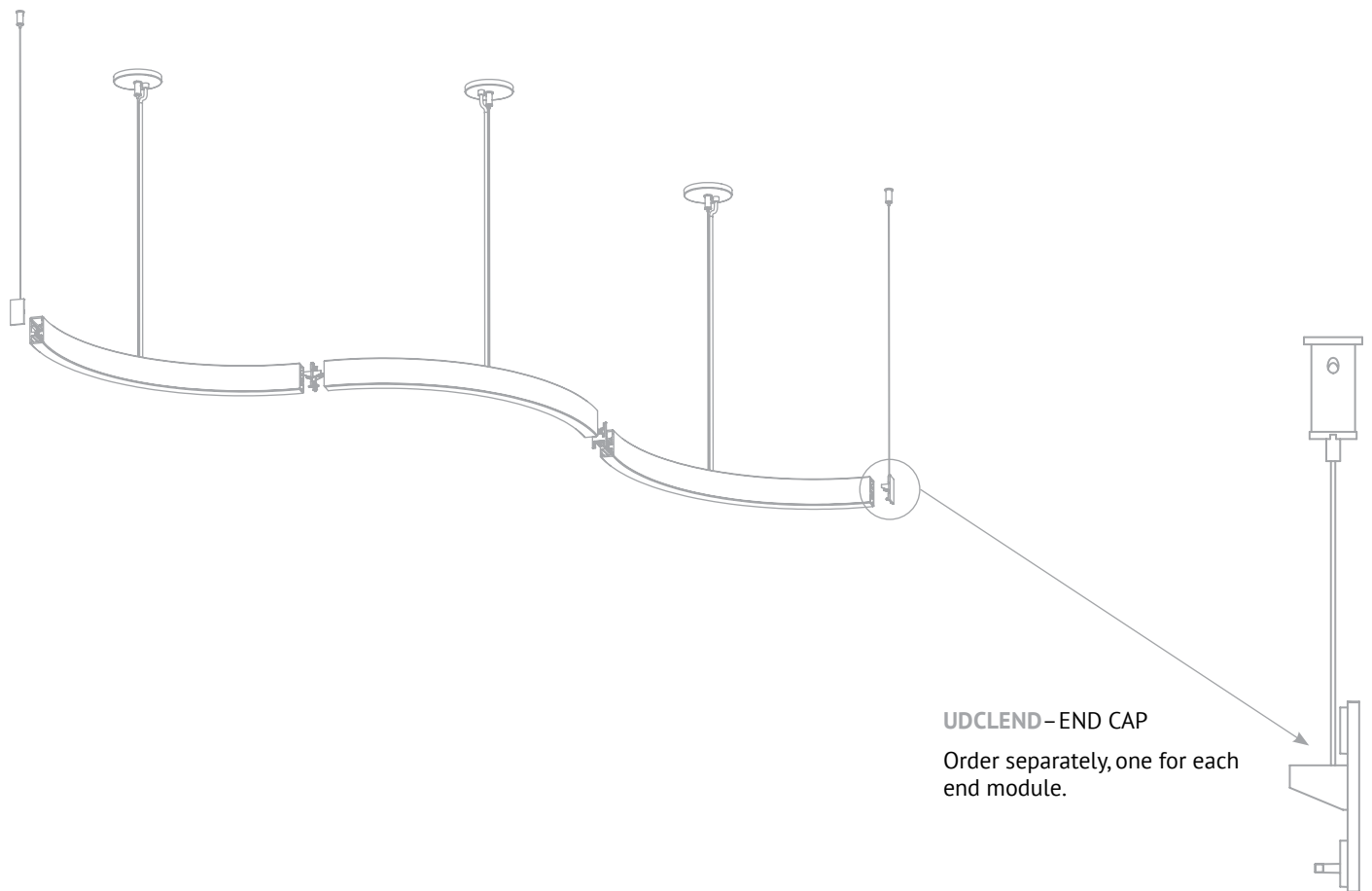


**UDCLJOIN-JOINER**

One joiner supplied per module.



CURVED MODULES - SERPENTINE

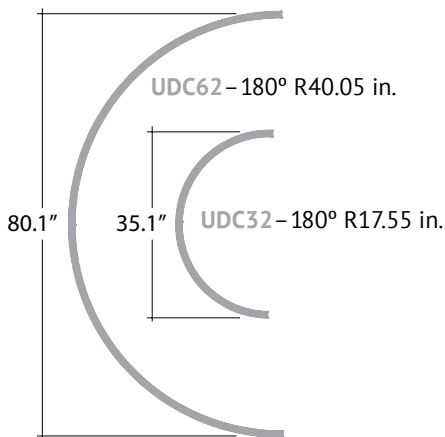
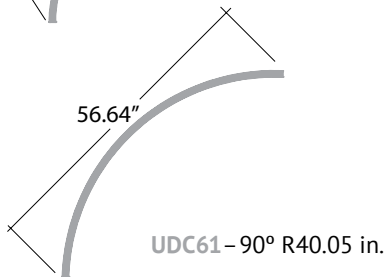
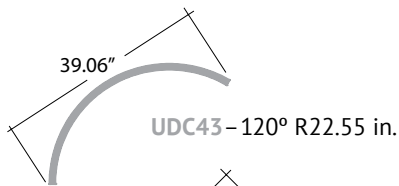
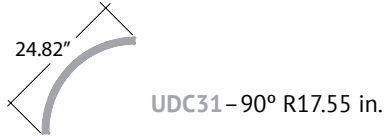


# DOS CURVE



Create custom luminaires by combining the modules shown below.

## CURVED MODULES



## LINEAR MODULES

**UDL2** – 2 ft. (23.5")

**UDL3** – 3 ft. (35.4")

**UDL4** – 4 ft. (47.25")

**UDL6** – 6 ft. (70.8")

**UDL8** – 8 ft. (95.5")

## Watts & Delivered Lumens

CURVED MODULES	WATTS	DELIVERED LUMENS
<b>UDC31</b>	22	2,045
<b>UDC61</b>	44	4,100
<b>UDC43</b>	39	3,630
<b>UDC32</b>	44	4,100
<b>UDC62</b>	88	8,200
LINEAR MODULES	WATTS	DELIVERED LUMENS
<b>UDL2</b>	18	1,732
<b>UDL3</b>	27	2,585
<b>UDL4</b>	36	3,465
<b>UDL6</b>	54	5,170
<b>UDL8</b>	72	6,930

## LED specifications + options

### WHITE LEDS

Nichia Corp. NFSL757 tight bin chips on aluminum boards. Specify color: **W30**–3000° Kelvin, **W35**–3500° Kelvin, or **W40**–4000° Kelvin. 90 CRI.

### DRIVERS

*Remote install only.*

**D**–Standard 0–10V, programmable, 1% dimming, 120/277V, 50/60 Hz.

**BDIM-W11**–Lutron EcoSystem LDE14 Series, 1% dimming, fade-to-off.

### CUSTOM LUMEN REDUCTION

Factory-set custom reduced lumen output. Order **XL**. *Specify lumens.*

### EMERGENCY BATTERY PACK

For 4' through 8' fixtures only. Ignites LEDs for 90 minutes. Adds additional length to driver housing. Voltage must be specified.

**EM7**–7W for 90 minutes.

**EM12**–12W for 90 minutes.