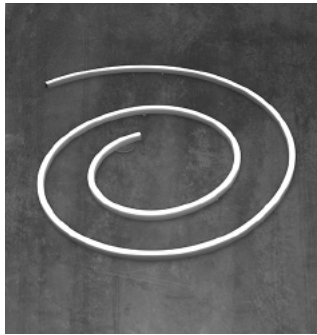


# UNO SPIRAL

Spiral LED direct with acrylic diffuser

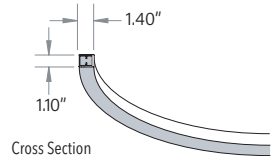


### CONSTRUCTION

- Extruded aluminum outer housing
- Direct frosted acrylic lens.
- Suspended with field-adjustable aircraft cable, with push-button glider. 8 ft. 18 AWG power cord. Push button grippers supplied, standard. Specify **XP** for additional length. (25 ft. maximum.)
- Default finish/power cord

- pairings are silver/gray, white/white, black/black.
- For RAL colors, power cord color must be specified.
- For differing fixture/canopy colors, please consult factory.
- Drivers and DMX module remotely installed in surface mount canopy. For remote driver installation, see page 2.

- Drivers are universal voltage (120–277V).
- Nominal diameters, right. For actual diameters (in.), see chart p. 2.
- cUL listed for dry and damp locations only.

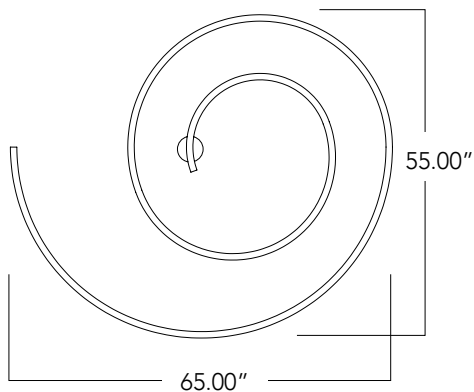


<b>TYPE:</b>	<b>PROJECT:</b>
<b>ORDER NUMBER:</b>	

MODEL#	FINISH	LEDS	DIMMING
<b>UCSPIRAL</b>	S-Silver W-White K-Black CC-RAL Color*	W30 W35 W40 RGBW-color + 3500° K white	D-Standard BDIM-W11 DMX DA-DALI
Example:			
<b>UCSHELIX</b>	<b>S</b>	<b>W35</b>	<b>D</b>

<b>BDMXCON-W</b> - white faceplate (enter quantity):		Specify <b>canopy</b> finish (silver, white, black):	
<b>BDMXCON-B</b> - black faceplate (enter quantity):		Specify power cord color (gray, white, black):	
<b>XL</b> - custom lumen reduction (specify lumens):		*Specify RAL color number:	

### UCSPIRAL



# UNO SPIRAL

Spiral LED direct with acrylic diffuser



## WHITE LEDS

Nichia Corp. NFSL757 tight bin chips on aluminum boards. 90 CRI. Specify color: W30–3000° Kelvin, W35–3500° Kelvin, or W40–4000° Kelvin.

## CUSTOM LUMEN OUTPUT REDUCTION

Factory set custom reduced-lumen output driver configuration. Order **XL**. Specify lumens. Static white only.

## COLOR LEDS

**RGBW** with 3500° K white. Includes RGBW interface. Optional DMX controller also available. (See below, right.)

## DIMMING

- **D**—standard supplied driver. 0–10V, programmable, 1% dimming, 120/277V, 50/60 Hz.
- **BDIM-W11**—Lutron EcoSystem LED14 Series, 1% dimming, fade-to-off. Remote (**SR**, **CR**, **NCR**) install only.
- **DA**—DALI 1% dimming, fade-to-off. 120–277V, 50/60 Hz.
- **DMX**—for both white and RGBW LEDs, 0.1% dimming fade-to-off. 120–277V, 50/60Hz.

## WATTS / LUMENS

WHITE LEDs		RGBW	
WATTS	DELIVERED LUMENS	WATTS	DELIVERED LUMENS
84	8,365	Contact Factory	N/A

## REMOTE DRIVERS

All drivers must be remote mounted, and accessible after installation. For suspended and hard lid ceilings with access panels. Canopy mounts to mud ring attached to J-box, which must be attached to structure capable of supporting 75 lbs.

**NOTE:** Multiple drivers must be mounted no less than 4 inches apart side-by-side, and 1 inch apart end-to-end, to avoid overheating.

Standard pendant length: 8 ft. Specify **XP** for extra pendant. Maximum canopy to fixture distance: 25 ft. Maximum canopy to driver distance: 100 ft. (with 10 AWG wire).



Remote Driver Canopy  
3.8 x 0.45 in.

## OPTIONAL DMX CONTROLLER

- Standalone, wall-mounted DMX controller for RGBW LED that provides direct access to fixtures. Power supply included.
- Tune color hue with sensitive wheel. Saturation and brightness control. On/off switch.
- See <https://www.nicolaudie.com/en/stick-de3.htm> for details.

Order separately, either **BDMXCON-W**—white faceplate or **BDMXCON-B**—black faceplate.

## ACRYLIC DIFFUSER CLEANING

**WARNING:** Do not clean with ammonia based cleaners (e.g. Windex®). Use only water or cleaners specifically formulated for cleaning plastics.

Remote driver installation.

