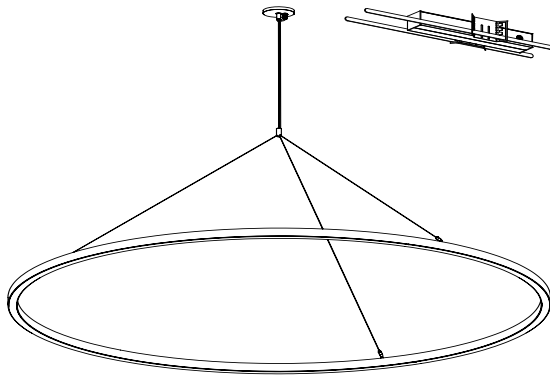


WARNING: Disconnect main power at the source prior to installation! Only qualified electricians should install Delray Lighting products.

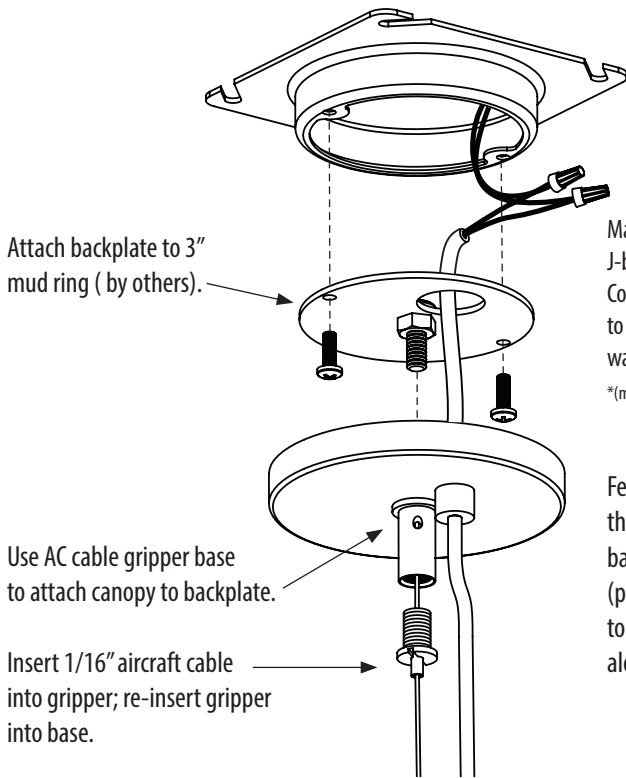
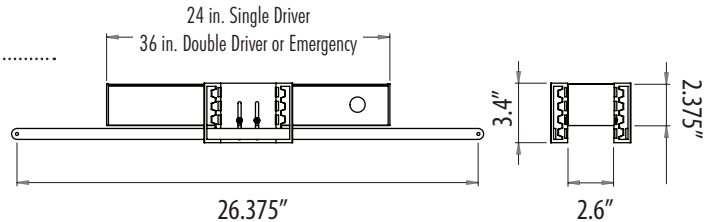


Remote driver housing has options for bar hangers for mount above suspended ceilings.

Drivers must remain accessible after installation, and must not be mounted closer than 4 inches apart.

Use conduit (by others) to connect J-box to driver housing.

Maximum distance from lamp to driver is 100 feet, with 10AWG wire.



Attach backplate to 3" mud ring (by others).

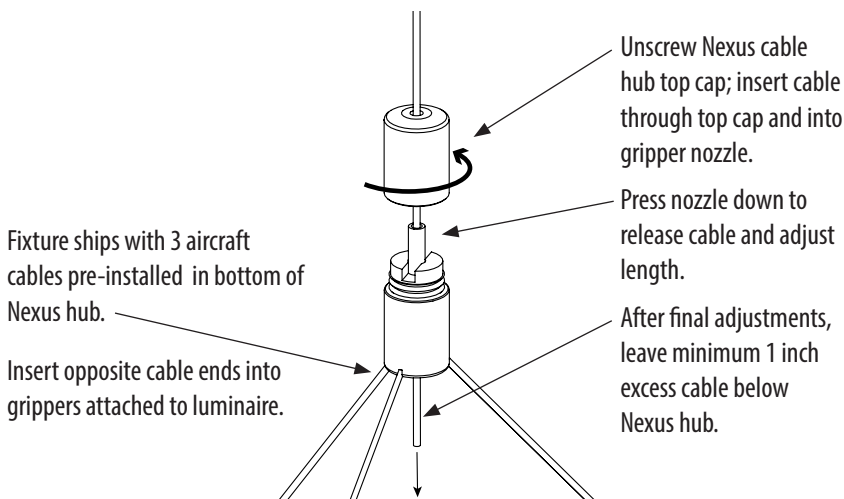
Make connections* in J-box to remote driver. Connecting lamp cord to line voltage voids warranty.

*(may be up to 5 - see wiring below)

Feed lamp cord through threaded nipple and back plate. Use O-rings (provided), or cable ties, to tether cord at intervals along aircraft cable.

Use AC cable gripper base to attach canopy to backplate.

Insert 1/16" aircraft cable into gripper; re-insert gripper into base.



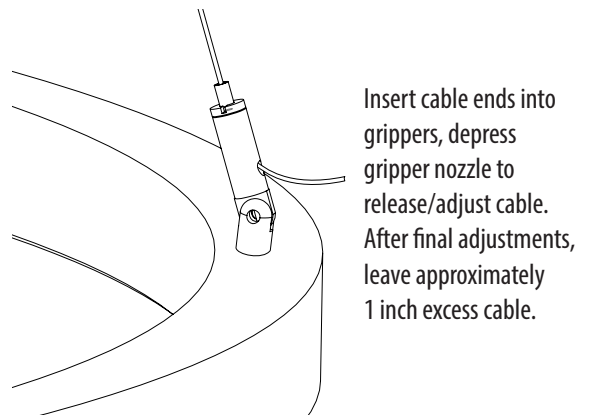
Fixture ships with 3 aircraft cables pre-installed in bottom of Nexus hub.

Insert opposite cable ends into grippers attached to luminaire.

Unscrew Nexus cable hub top cap; insert cable through top cap and into gripper nozzle.

Press nozzle down to release cable and adjust length.

After final adjustments, leave minimum 1 inch excess cable below Nexus hub.



Insert cable ends into grippers, depress gripper nozzle to release/adjust cable. After final adjustments, leave approximately 1 inch excess cable.

Uno/Dos wiring:

(Static White):

Driver One: Red to DC positive }
Blue to DC negative }

Driver Two: Red/White to DC positive }
Blue/White to DC negative }

(RGBW):

Group 1 (red+) to red wire
Group 2 (green+) to green wire
Group 3 (blue+) to blue wire
Group 4 (yellow+) to white wire
Group 1-4 GND (black-) to black wires (common-) to blue(-) on power supply.

Dimming:

Standard (0-10V):

Purple and Pink wires from driver to 0-10V dimmer. Cap if unused.

Lutron EcoSystem: Purple and Purple/White wires from driver to dimmer.

DMX: orange/white (DMX in+), orange (DMX in-), brown (DMX in shield) from controller to driver.

Dali: orange/white (DA+), orange (DA-) from controller to driver.