

UNO CIRCULAR SURFACE

Mount Instructions – 1 of 4 Installation ou de montage

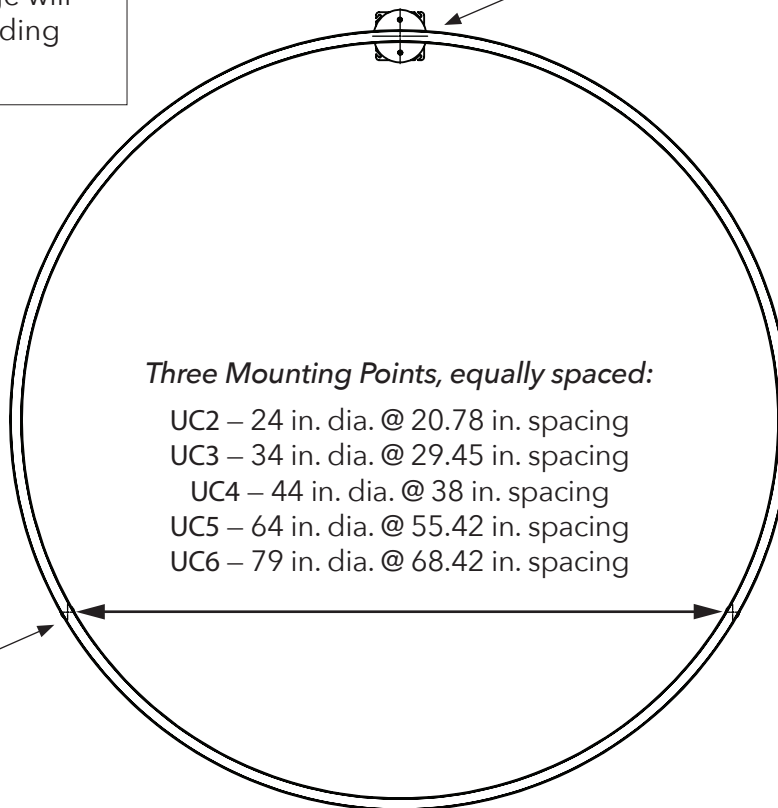
WARNING: Disconnect main power at the source prior to installation! Only qualified electricians should install Delray Lighting products.

1

WARNING: Direct connection of fixture to line voltage will burn out the LEDs, voiding the product warranty.

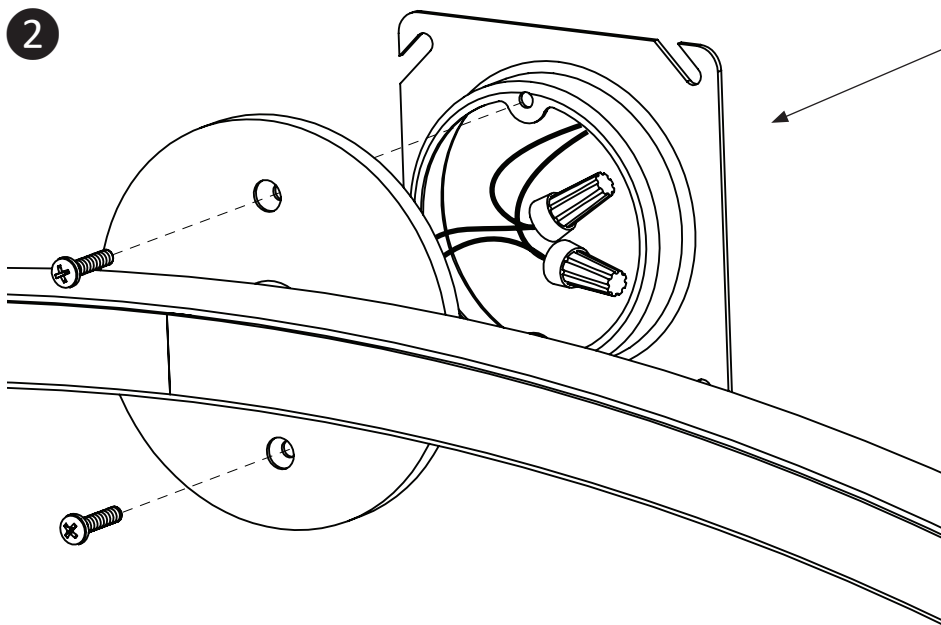
IMPORTANT:

Mount 3 in. mud ring with holes in the vertical position.



Mounting Points

2



Wire up LEDs to remote 24V DC drivers. (See p. 4 for remote driver housing info.)

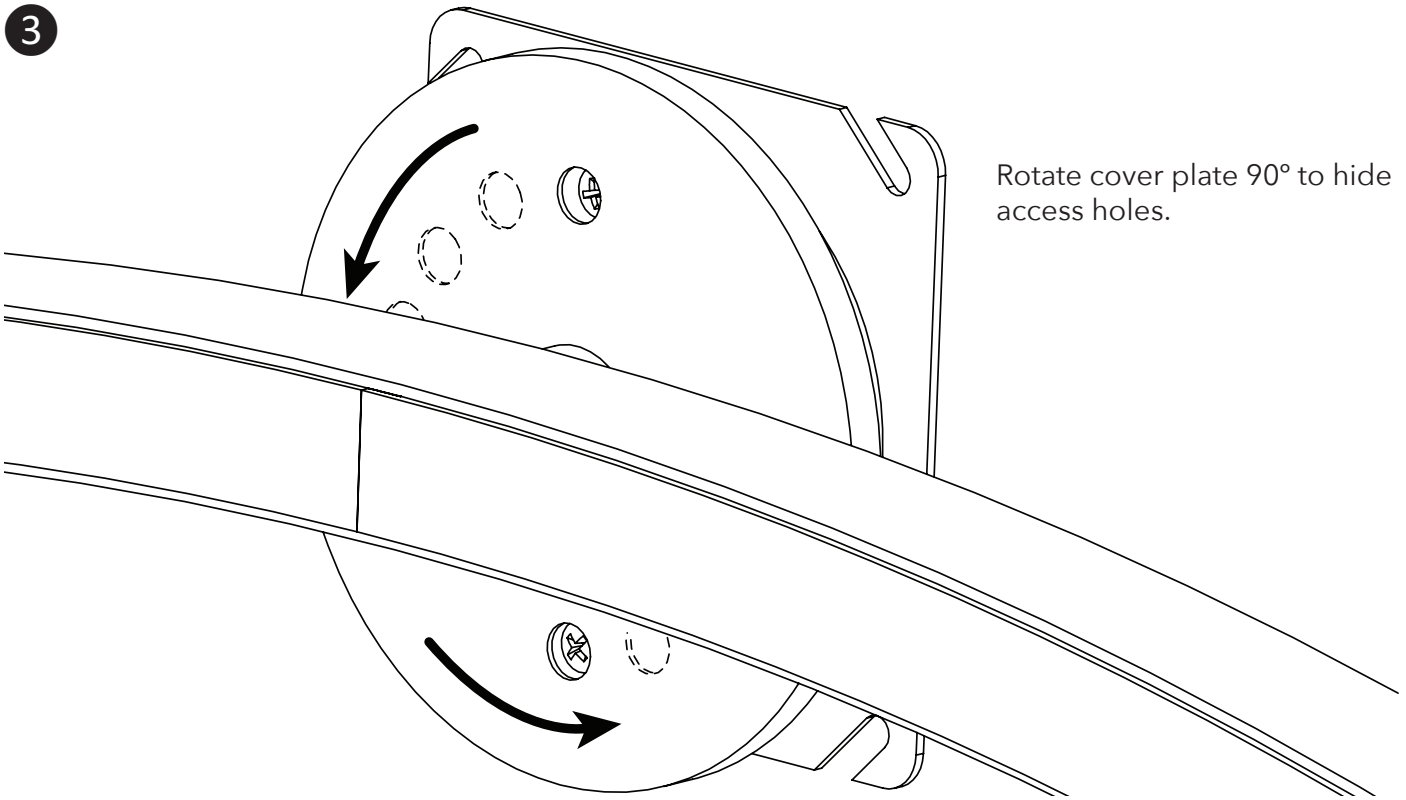
Mount to 3 in. mud ring (by others) only.

UNO CIRCULAR SURFACE

Mount Instructions – 2 of 4 *Installation ou de montage*

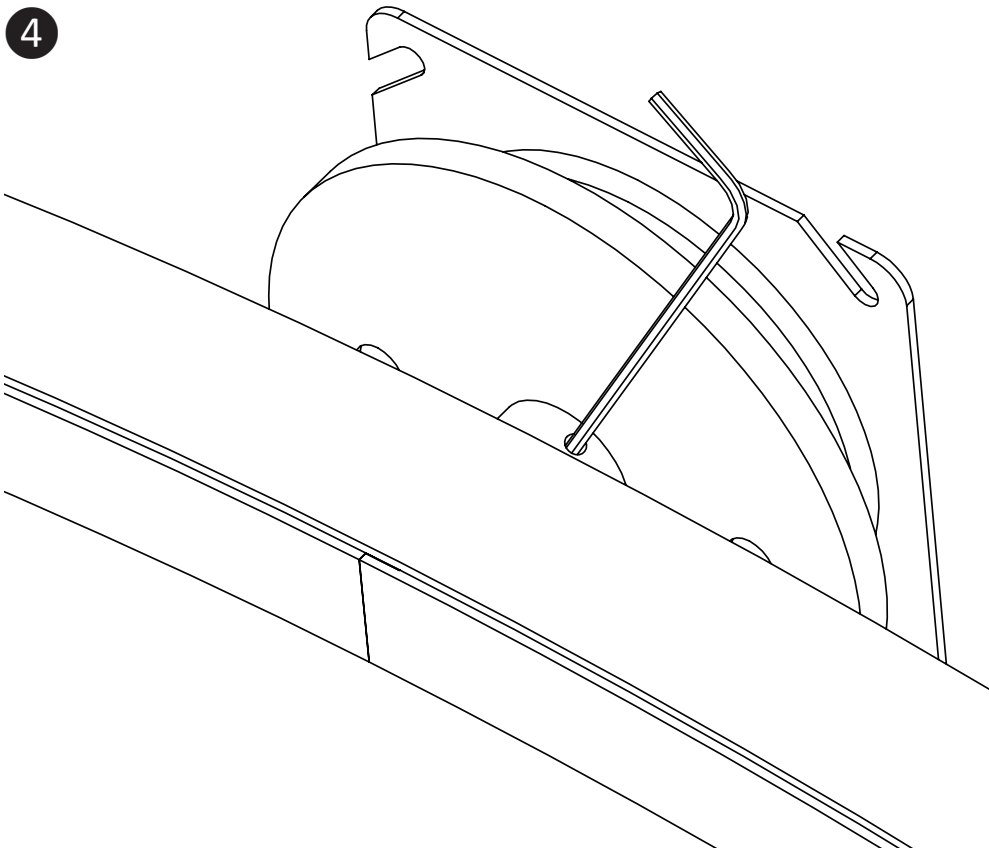
WARNING: Disconnect main power at the source prior to installation! Only qualified electricians should install Delray Lighting products.

3



Rotate cover plate 90° to hide access holes.

4



Secure cover plate by tightening set screws with hex key provided.

UNO CIRCULAR SURFACE

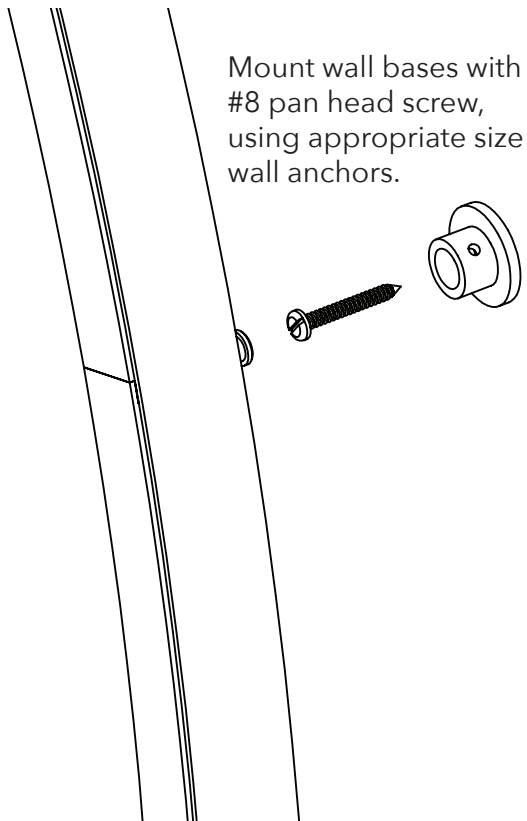
Mount Instructions – 3 of 4
Installation ou de montage

WARNING: Disconnect main power at the source prior to installation! Only qualified electricians should install Delray Lighting products.

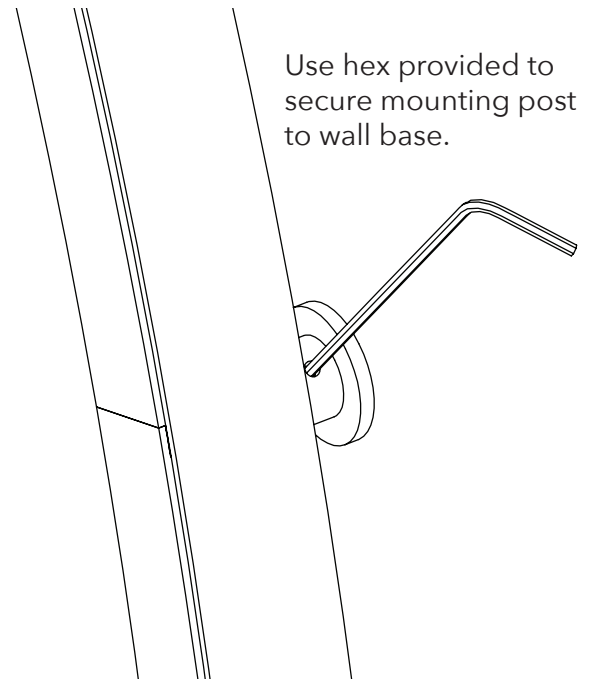
5



6

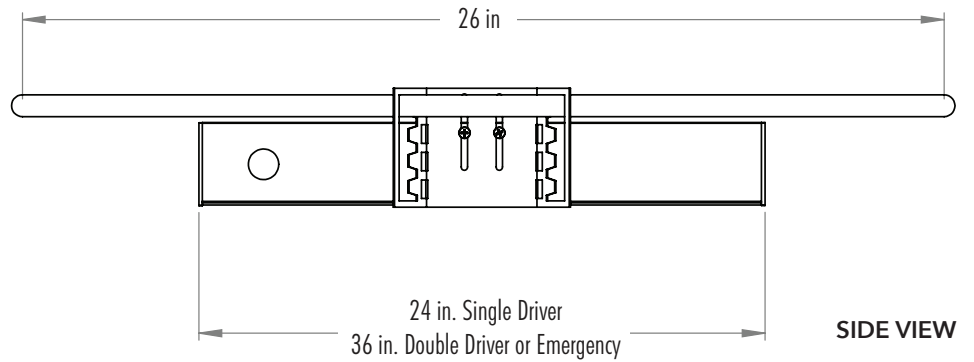
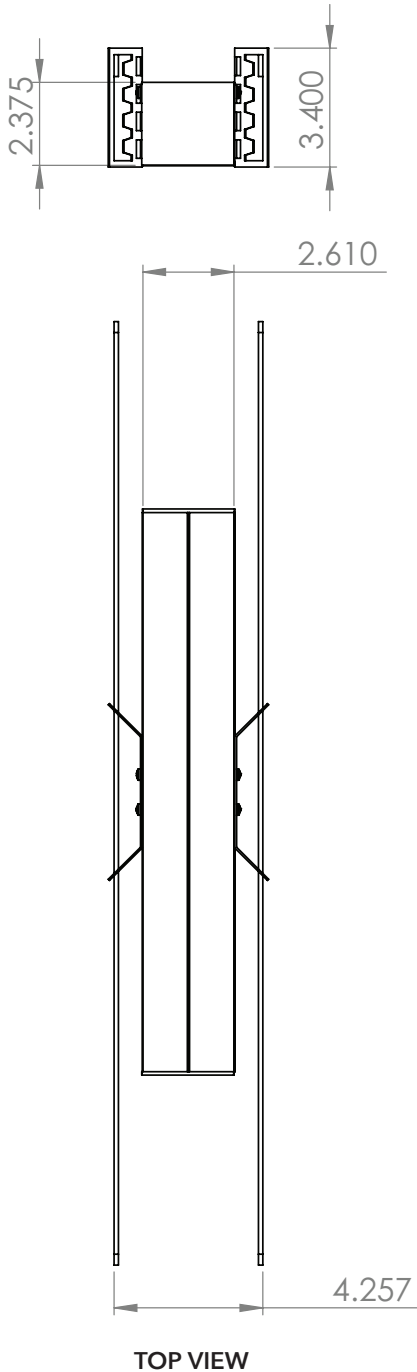


7



WARNING: Disconnect main power at the source prior to installation! Only qualified electricians should install Delray Lighting products.

Remote Driver Housing Info



Remote driver housing has options for bar hangers for mount above suspended ceilings.

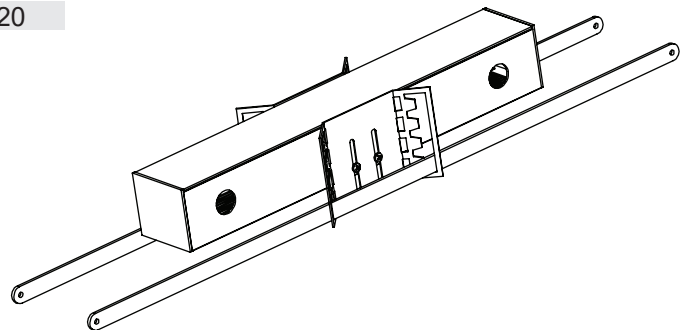
Drivers must remain accessible after installation.

Driver housings must be mounted no less than 4 inches apart.

Max. Wiring Distance (at full load)

Wire Size (AWG) Distance (ft.)

18	18
16	29
14	46
12	71
10	120



Polarity must be correct to ensure LED operation (connect wires red to red, blue to blue).