

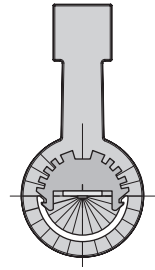
Swing SLW7 trim 09

adjustable LED double lamp surface mount, 180° perforated diffuser



CONSTRUCTION

- o Double 2, 3, 4 ft. surface fixture that mounts to extruded aluminum continuous wireway and driver housing Rail System.
- o Designed for open ceiling environments, the Rail System may be mounted directly to ceilings, joists, or decks; replacing J-box and conduit, for a cleaner appearance. The back plate has a 7/8" opening for direct conduit power feed at the end caps, or from anywhere along the Rail housing.
- o Rail system may also be suspended. See **SPF7, SAC** option on p. 2.
- o Specify XP for additional length (25 ft. max.).
- o cUL listed for damp locations.



Lamp rotates 270°, in 15° stepped increments, to direct light where needed.



TRIM 09
180° Perforated Diffuser with 360° Lamp Rotation

TYPE:	PROJECT:
ORDER NUMBER:	

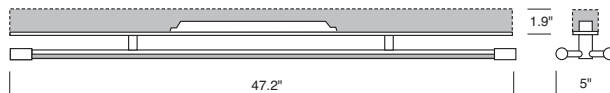
MODEL#	LENGTH (FT.)	LEDS	HO/LO*	DIMMING	EMERGENCY	OPTIONS
SLW7	4	W30	LO	D-Standard BDIM-W11	EM-Emergency	SPF7 SAC
	3	W35	HO			
	2	W40				

Example:

SLW7	4	W35	HO	D		
------	---	-----	----	---	--	--

Run Length (total feet):		S100P- J-box cover	
XL-custom lumen reduction (specify lumens):			

MODEL	LENGTH
SLW74LO/HO	4 ft.
SLW73LO/HO	3 ft.
SLW72LO/HO	2 ft.



Swing SLW7 trim 09

adjustable LED double lamp surface mount, 180° perforated diffuser



WHITE LEDS

Samsung tight bin chips on aluminum clad boards. 90 CRI. Specify color: **W30**–3000°, **W35**–3500°, or **W40**–4000° Kelvin color temperature.

DIMMING

- **D**—standard supplied driver. 0–10V, programmable, 1% dimming, 120/277V, 50/60 Hz.
- **BDIM-W11**—Lutron EcoSystem LED14 Series, 1% dimming, fade-to-off.

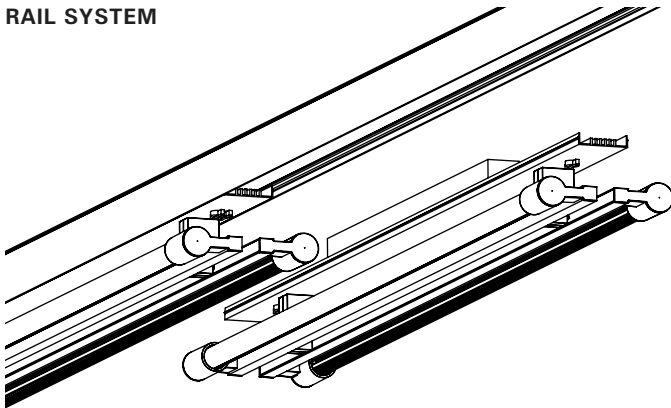
CUSTOM LUMEN OUTPUT REDUCTION

Factory set custom reduced-lumen output driver configuration. Order **XL**. Specify lumens.

EMERGENCY

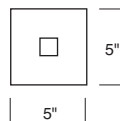
For 4' through 8' fixtures only. Battery pack provides 10W for 90 minutes. Adds additional length to driver housing.

RAIL SYSTEM



OPTIONAL J-BOX COVER

Cover plate mounts to maximum 4" square J-box. Ballast housing mounts to wall on top of cover plate, which may be painted to match ceiling or wall, and includes two mounting spacers to offset cover thickness. Order **S100P**.



WATTS / LUMENS / EFFICACY

LENGTH	WATTS	DELIVERED LUMENS	EFFICACY
2 ft. LO	14	1,444	103 LPW
2 ft. HO	28	2,886	103 LPW
3 ft. LO	21	2,164	103 LPW
3 ft. HO	42	4,330	103 LPW
4 ft. LO	28	2,886	103 LPW
4 ft. HO	56	5,772	103 LPW

SUSPENSION & CONNECTION OPTIONS



SPF7—8 ft. 7-conductor cord (black, white, green, purple, gray, orange).

SAC—Standard 8' adjustable aircraft cable assembly.