

SWING SLW6 REMOTE

SLRD Remote Driver Pendant Install 1 of 3 Installation ou de montage

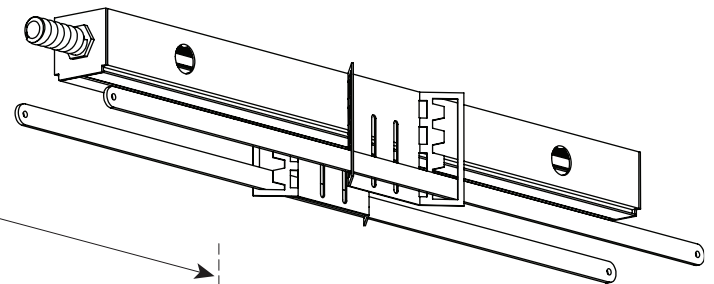
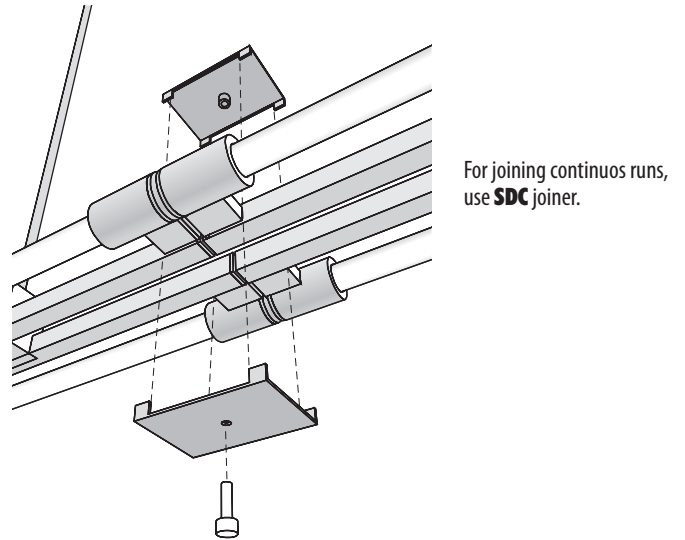
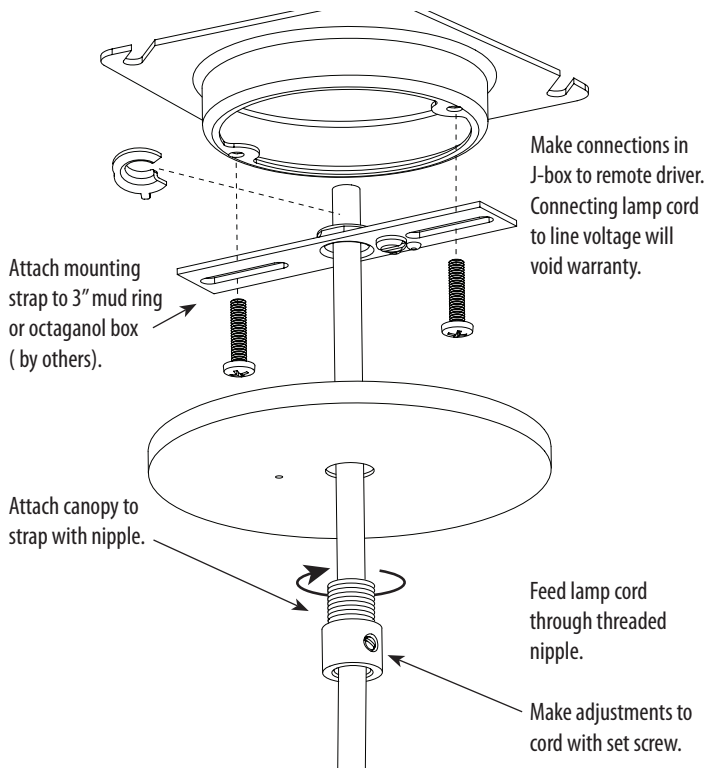
WARNING: disconnect main power at the source prior to installation!

Only qualified electricians should install Delray Lighting products.

Drivers must be accessible after installation.

Multiple drivers must be mounted no less than 4 inches apart side-by-side, and 1 inch apart end-to-end, to avoid overheating.

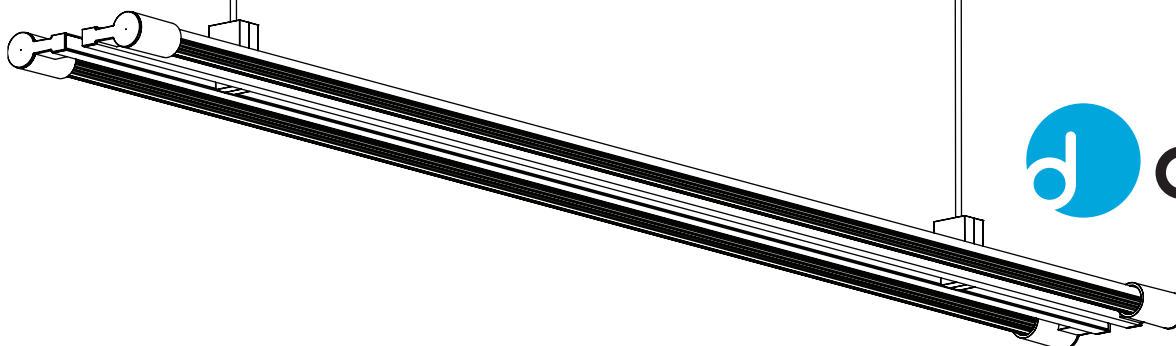
Maximum canopy to fixture distance: 25 ft. Maximum canopy to driver distance: 100 ft. (with 10 AWG wire).



Mount remote driver in accessible location. See next page for driver housing info.

Max. Wiring Distance (at full load)

Wire Size (AWG)	Distance (ft.)
18	18
16	29
14	46
12	71
10	120



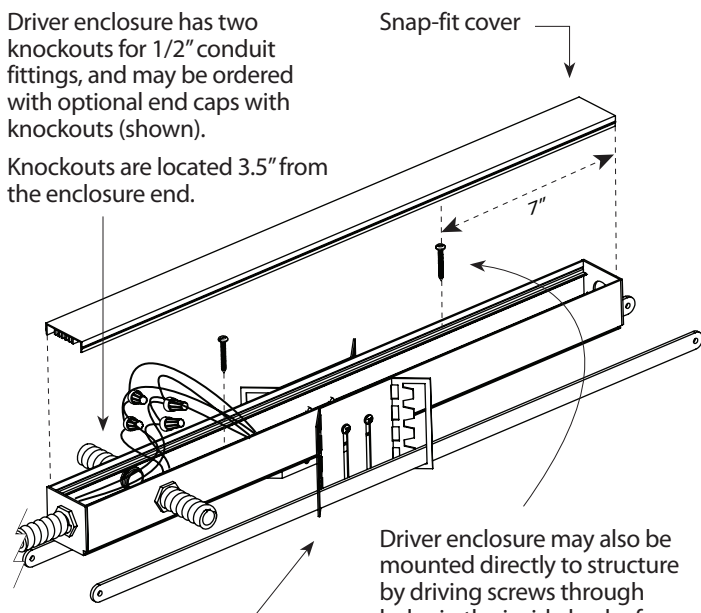
SWING SLW6 REMOTE

SLRD Remote Driver Pendant Install 2 of 3

Installation ou de montage

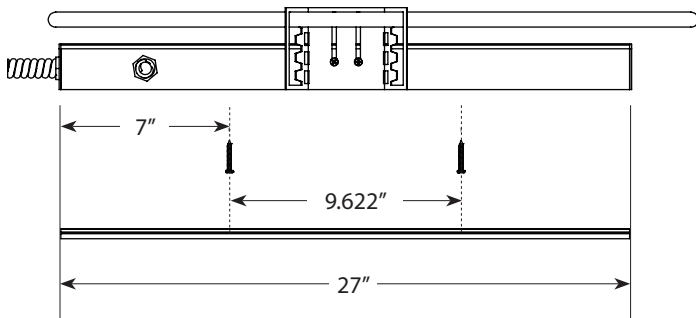
Driver enclosure has two knockouts for 1/2" conduit fittings, and may be ordered with optional end caps with knockouts (shown).

Knockouts are located 3.5" from the enclosure end.



Bar hangers (included) may be used for suspended ceiling mount (or removed if not needed).

Driver enclosure may also be mounted directly to structure by driving screws through holes in the inside back of the enclosure.



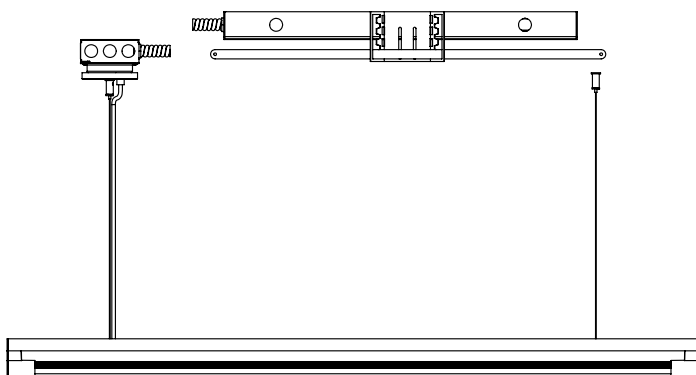
WARNING: disconnect main power at the source prior to installation!

Only qualified electricians should install Delray Lighting products.

Drivers must be accessible after installation.

Multiple drivers must be mounted no less than 4 inches apart side-by-side, and 1 inch apart end-to-end, to avoid overheating.

Maximum canopy to fixture distance: 25 ft. Maximum canopy to driver distance: 100 ft. (with 10 AWG wire).

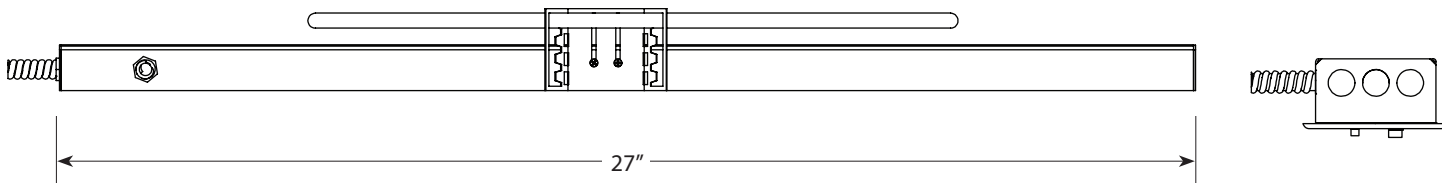


Max. Wiring Distance (at full load)

Wire Size (AWG)	Distance (ft.)
18	18
16	29
14	46
12	71
10	120

Emergency Battery Backup

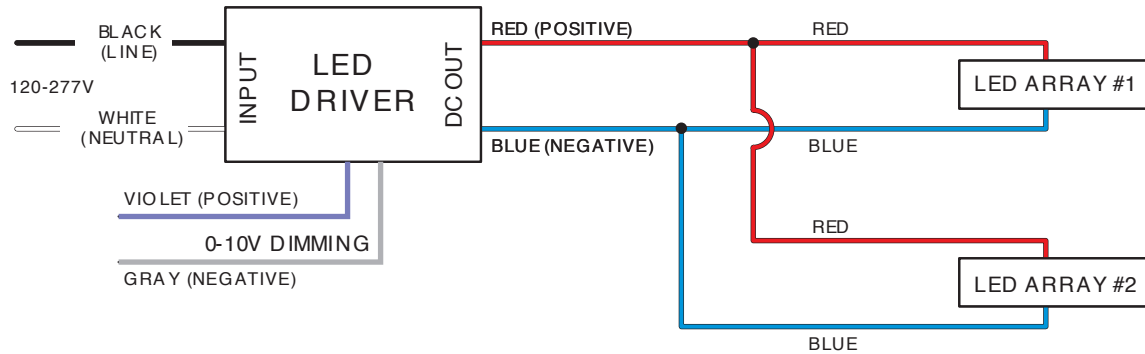
Optional **EM** driver housing is longer, with remote switch for surface mount.



SWING SLW6 REMOTE

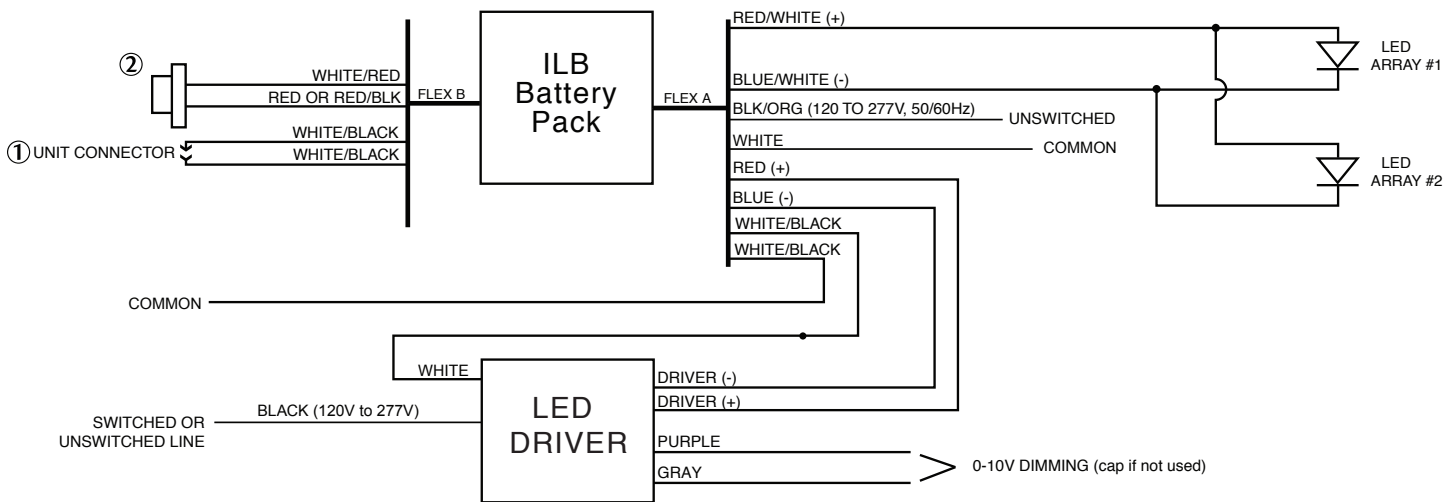
SLRD Remote Driver Pendant Install 3 of 3 Installation ou de montage

Wiring | Double Lamp Cord



For Models:
SLW6
SLW7

Wiring | Emergency Backup



- ① DO NOT MATE CONNECTOR UNTIL INSTALLATION IS COMPLETE AND AC POWER IS SUPPLIED.
- ② TEST ACCESSORY LEADS-OBSERVE PROPER POLARITY WIRING.

Max. Wiring Distance (at full load)

Wire Size (AWG)	Distance (ft.)
18	18
16	29
14	46
12	71
10	120