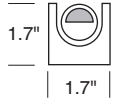
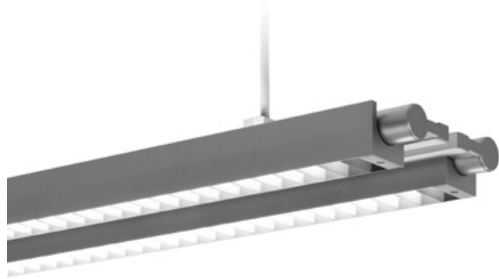


# Swing SLW6 trim 20

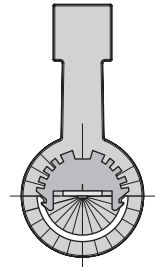
rail mount adjustable LED double lamp pendant, square trim, white louvers



**TRIM 20**  
Direct/Indirect Square Trim  
with White Louvers

### CONSTRUCTION

- o Double 2, 3, 4 ft. pendant fixture that mounts to an extruded aluminum continuous wireway and driver housing Rail System.
- o Designed for open ceiling environments, the Rail System may be mounted directly to ceilings, joists, or decks; replacing J-box and conduit, for a cleaner appearance. The back plate has a 7/8" opening for direct conduit power feed at the end caps, or from anywhere along the Rail housing.
- o 8 ft. gray adjustable power cord supplied, standard.
- o Specify XP for additional power cord length (25 ft. max.).
- o cUL listed for damp locations.



Lamp rotates 270°, in 15° stepped increments, to direct light where needed.

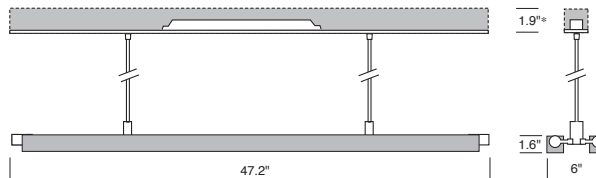
<b>TYPE:</b>	<b>PROJECT:</b>
<b>ORDER NUMBER:</b>	

MODEL#	LENGTH (FT.)	HO/LO	LEDS	DIMMING	EMERGENCY	OPTION	TRIM
SLW6	4 3 2	LO HO	W30 W35 W40	D-Standard BDIM-W11	EM-Emergency	SDC S100P	20
Example:							
SLW6	4	HO	W35	D		SDC	20

<b>XP</b> - Extra power cord (in inches, 25 ft. max.):	<b>XL</b> - custom lumen reduction (specify lumens):
Run Length (total feet):	

MODEL	LENGTH
SLW64LO/HO	4 ft.
SLW63LO/HO	3 ft.
SLW62LO/HO	2 ft.

**NOTE:** Rail Parts ordered separately.



# Swing SLW6 trim 20

rail mount adjustable LED double lamp pendant, square trim, white louvers



## WHITE LEDS

Samsung tight bin chips on aluminum clad boards. 90 CRI. Specify color: W30–3000° Kelvin, W35–3500° Kelvin, or W40–4000° Kelvin color temperature.

## DIMMING

- **D**—standard supplied driver. 0–10V, programmable, 1% dimming, 120/277V, 50/60 Hz.
- **BDIM-W11**—Lutron EcoSystem LED14 Series, 1% dimming, fade-to-off.

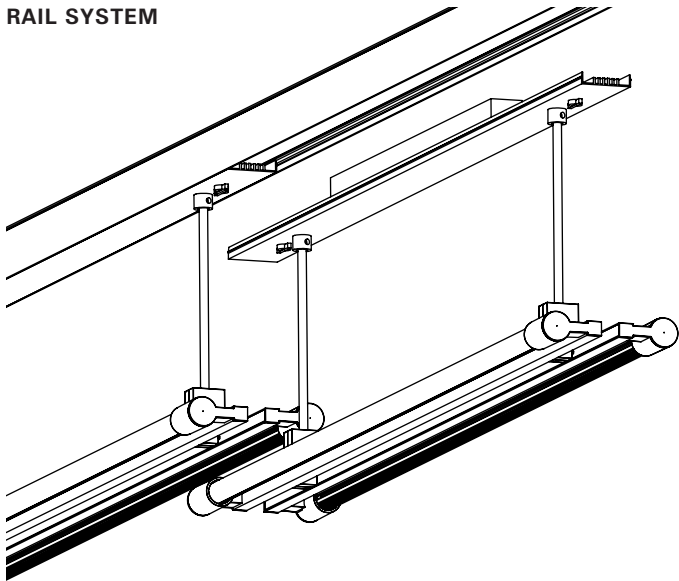
## EMERGENCY

For 4' through 8' fixtures only. Battery pack provides 10W for 90 minutes. Adds additional length to driver housing.

## CUSTOM LUMEN OUTPUT REDUCTION

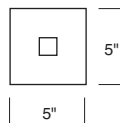
Factory set custom reduced-lumen output driver configuration. Order **XL**. Specify lumens.

## RAIL SYSTEM



## OPTIONAL J-BOX COVER

Cover plate mounts to maximum 4" square J-box. Ballast housing mounts to wall on top of cover plate, which may be painted to match ceiling or wall, and includes two mounting spacers to offset cover thickness. Order **S100P**.



## WATTS / LUMENS / EFFICACY

LENGTH	WATTS	DELIVERED LUMENS	EFFICACY
2 ft. <b>LO</b>	14	1,444	103 LPW
2 ft. <b>HO</b>	28	2,886	103 LPW
3 ft. <b>LO</b>	21	2,164	103 LPW
3 ft. <b>HO</b>	42	4,330	103 LPW
4 ft. <b>LO</b>	28	2,886	103 LPW
4 ft. <b>HO</b>	56	5,772	103 LPW

## CONTINUOUS RUN CONNECTION

For two or more pendant fixtures mounted end to end, order and install **SDC** swing double connector to align fixtures and prevent inter-fixture collision.

