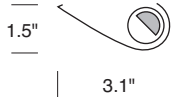


Swing SLW6 trim 19

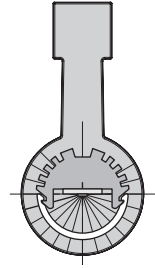
rail mount adjustable LED double lamp pendant, solid asymmetrical reflector



TRIM 19
Solid Asymmetrical Reflector

CONSTRUCTION

- Double 2, 3, 4 ft. pendant fixture that mounts to an extruded aluminum continuous wireway and driver housing Rail System.
- Designed for open ceiling environments, the Rail System may be mounted directly to ceilings, joists, or decks; replacing J-box and conduit, for a cleaner appearance. The back plate has a 7/8" opening for direct conduit power feed at the end caps, or from anywhere along the Rail housing.
- 8 ft. gray adjustable power cord supplied, standard.
- Specify XP for additional power cord length (25 ft. max.).
- cUL listed for damp locations.



Lamp rotates 270°, in 15° stepped increments, to direct light where needed.

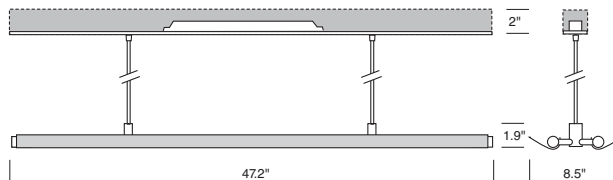
TYPE:	PROJECT:
ORDER NUMBER:	

MODEL#	LENGTH (FT.)	HO/LO	LEDS	DIMMING	EMERGENCY	OPTION	TRIM
SLW6	4 3 2	LO HO	W30 W35 W40	D-Standard BDIM-W11	EM-Emergency	SDC S100P	19
Example:							
SLW6	4	HO	W35	D		SDC	19

XP - Extra power cord (in inches, 25 ft. max.):	XL - custom lumen reduction (specify lumens):
Run Length (total feet):	

MODEL	LENGTH
SLW64LO/HO	4 ft.
SLW63LO/HO	3 ft.
SLW62LO/HO	2 ft.

NOTE: Rail Parts ordered separately.



Swing SLW6 trim 19

rail mount adjustable LED double lamp pendant, solid asymmetrical reflector



WHITE LEDS

Samsung tight bin chips on aluminum clad boards. 90 CRI. Specify color: W30–3000° Kelvin, W35–3500° Kelvin, or W40–4000° Kelvin color temperature.

DIMMING

- **D**—standard supplied driver. 0–10V, programmable, 1% dimming, 120/277V, 50/60 Hz.
- **BDIM-W11**—Lutron EcoSystem LED14 Series, 1% dimming, fade-to-off.

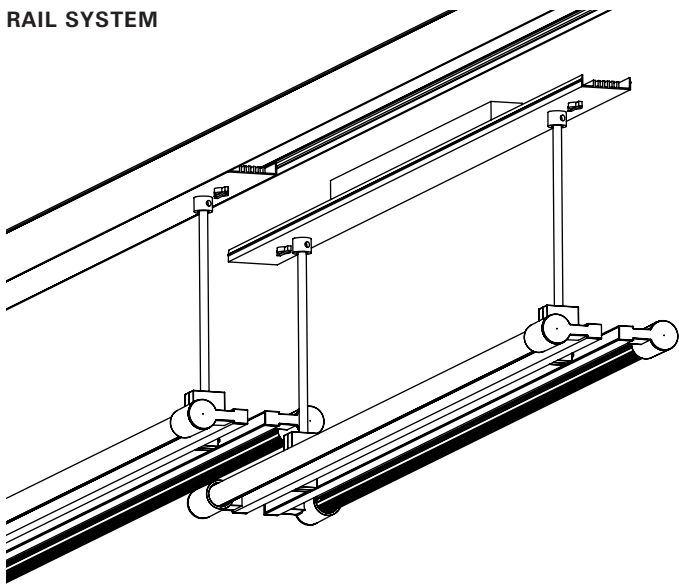
EMERGENCY

For 4' through 8' fixtures only. Battery pack provides 10W for 90 minutes. Adds additional length to driver housing.

CUSTOM LUMEN OUTPUT REDUCTION

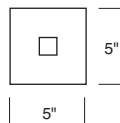
Factory set custom reduced-lumen output driver configuration. Order **XL**. Specify lumens.

RAIL SYSTEM



OPTIONAL J-BOX COVER

Cover plate mounts to maximum 4" square J-box. Ballast housing mounts to wall on top of cover plate, which may be painted to match ceiling or wall, and includes two mounting spacers to offset cover thickness. Order **S100P**.



WATTS / LUMENS / EFFICACY

LENGTH	WATTS	DELIVERED LUMENS	EFFICACY
2 ft. LO	14	1,444	103 LPW
2 ft. HO	28	2,886	103 LPW
3 ft. LO	21	2,164	103 LPW
3 ft. HO	42	4,330	103 LPW
4 ft. LO	28	2,886	103 LPW
4 ft. HO	56	5,772	103 LPW

CONTINUOUS RUN CONNECTION

For two or more pendant fixtures mounted end to end, order and install **SDC** swing double connector to align fixtures and prevent inter-fixture collision.

