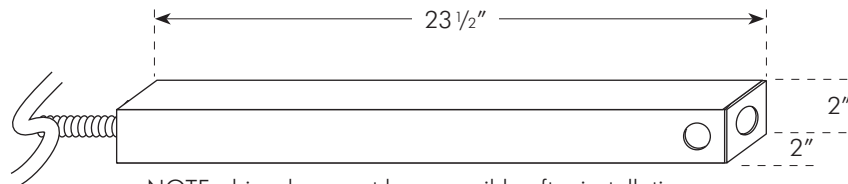


# STICK SLT9 REMOTE

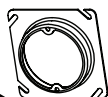
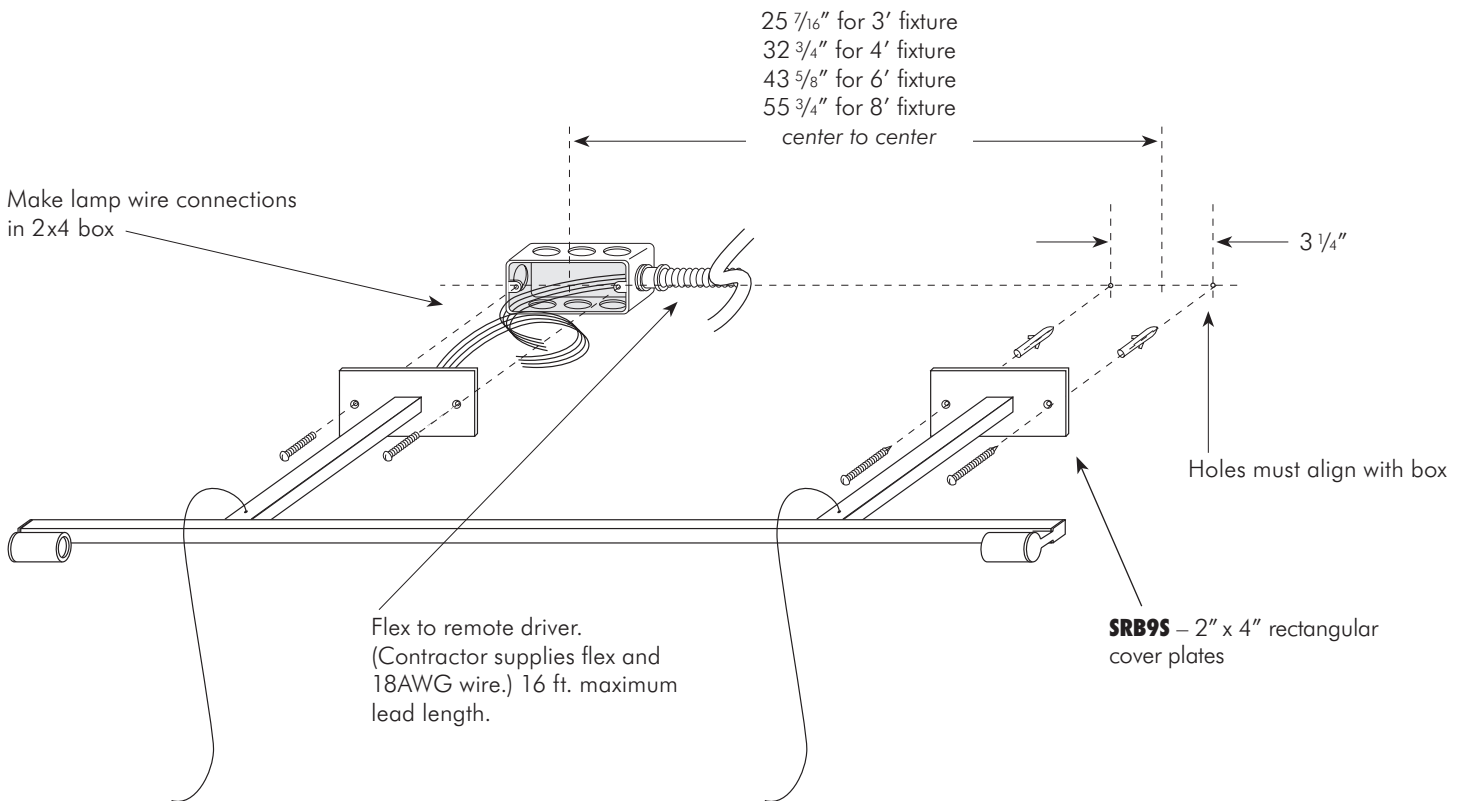
## SLRD Remote Driver Instructions 1 of 4 Installation ou de montage

**WARNING:** Disconnect main power at the source prior to installation!  
Fixture must be installed by a qualified electrician.

### 1 Mount Fixture To Wall

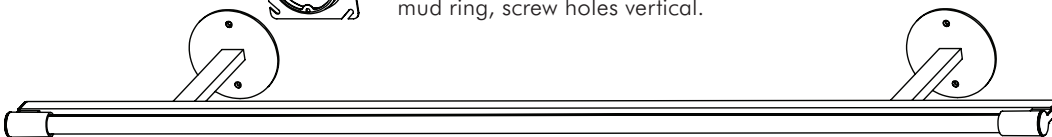


NOTE: driver box must be accessible after installation.  
Lamp to driver distance must not exceed 16 ft.



**SRB9R** – 4" round cover plates

NOTE: For round cover plate, mount 3-inch mud ring, screw holes vertical.

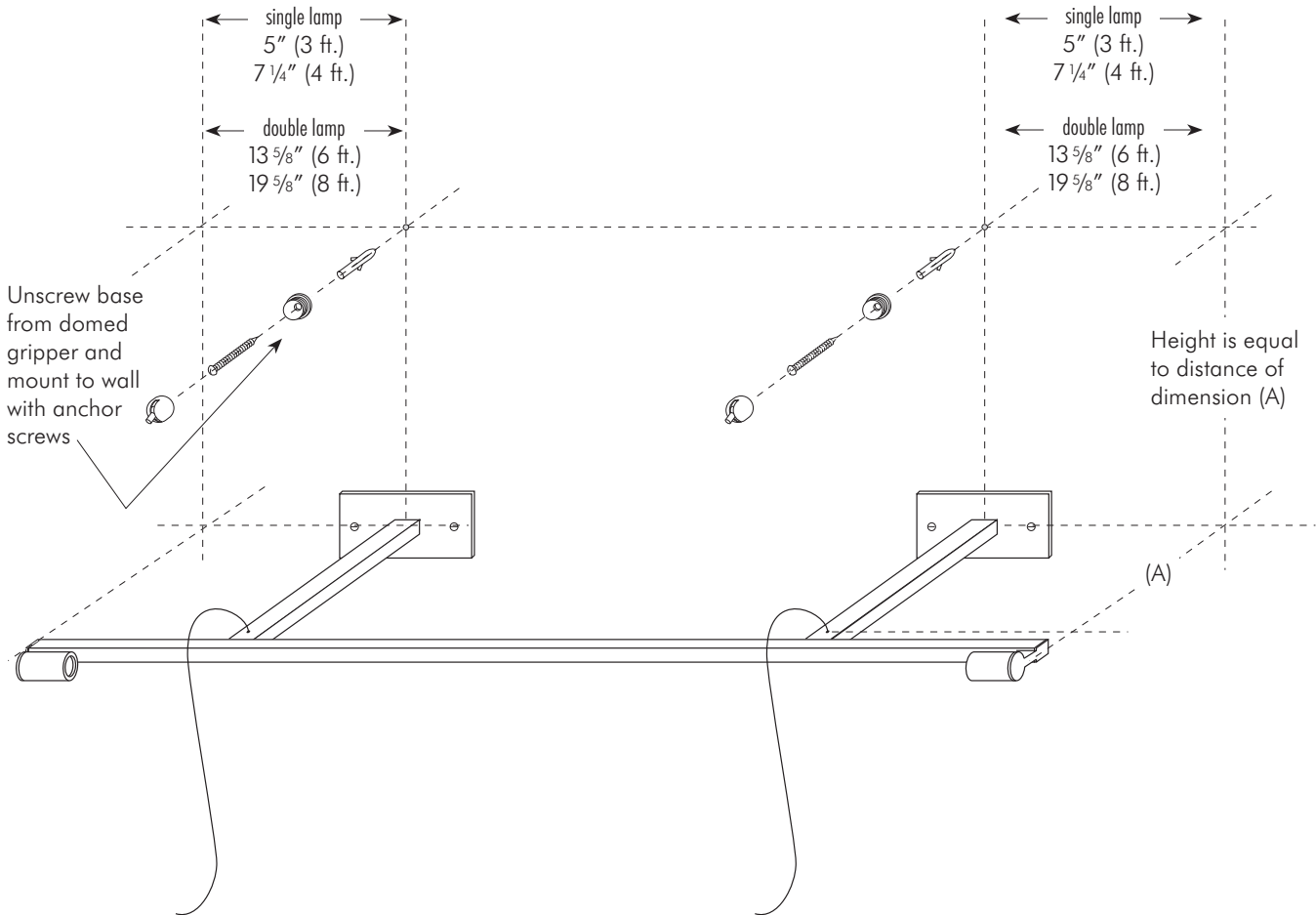


Continued →

# STICK SLT9 REMOTE

## SLRD Remote Driver Instructions 2 of 4 Installation ou de montage

### 2 Mount Cable Gripper (Not applicable to extension arms less than 10")

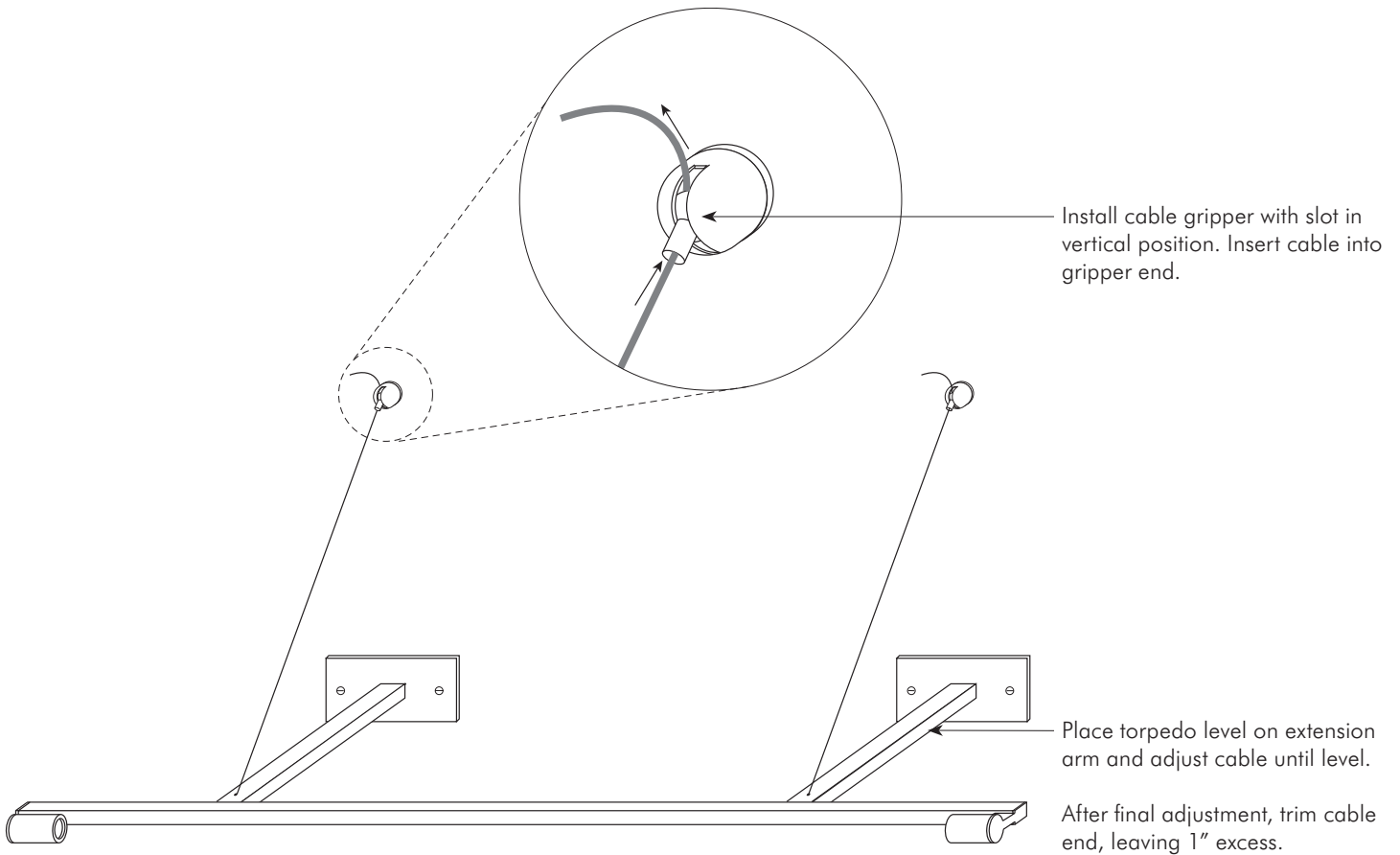


#### Max. Wiring Distance (at full load)

Wire Size (AWG)	Distance (ft.)
18	18
16	29
14	46
12	71
10	120

Continued →

### 3 Install Aircraft Cables



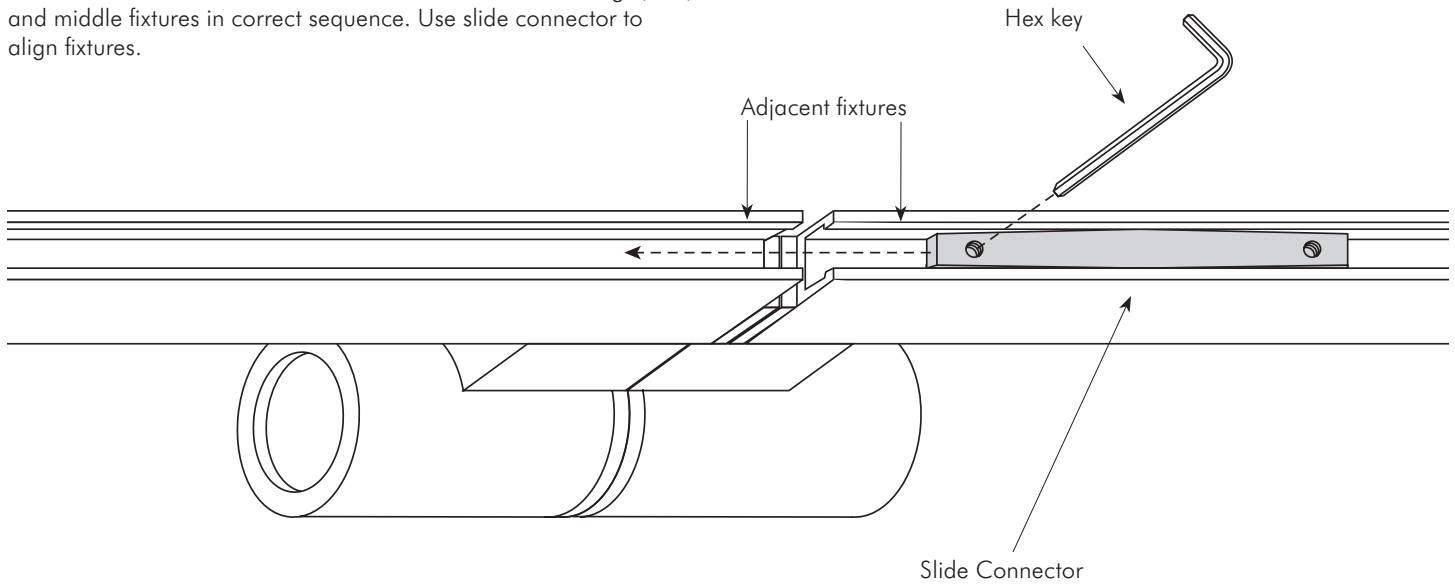
#### Max. Wiring Distance (at full load)

Wire Size (AWG)	Distance (ft.)
18	18
16	29
14	46
12	71
10	120

Continued →

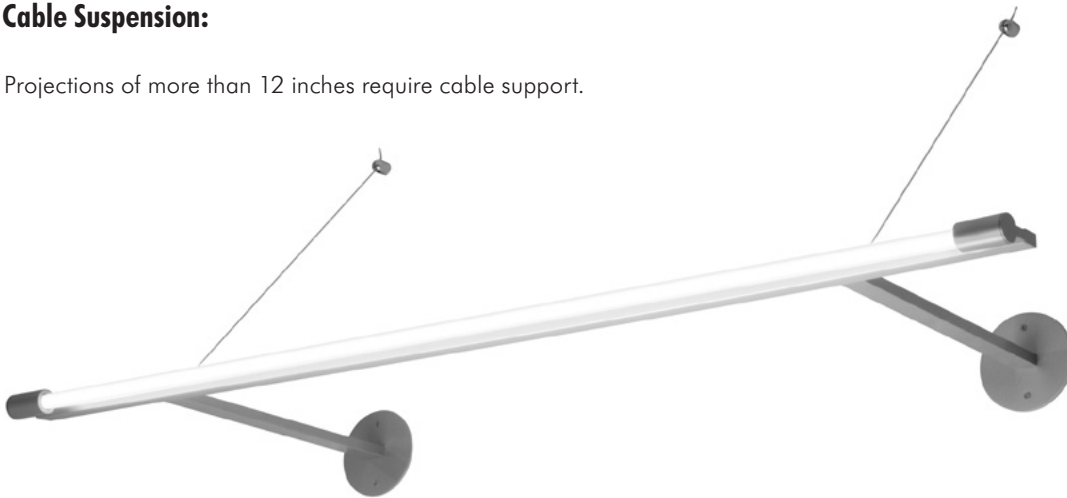
### For continuous runs of multiple fixtures:

Follow rail or remote driver installation instructions. Install right, left, and middle fixtures in correct sequence. Use slide connector to align fixtures.



### Cable Suspension:

Projections of more than 12 inches require cable support.



Max. Wiring Distance (at full load)

Wire Size (AWG)	Distance (ft.)
18	18
16	29
14	46
12	71
10	120