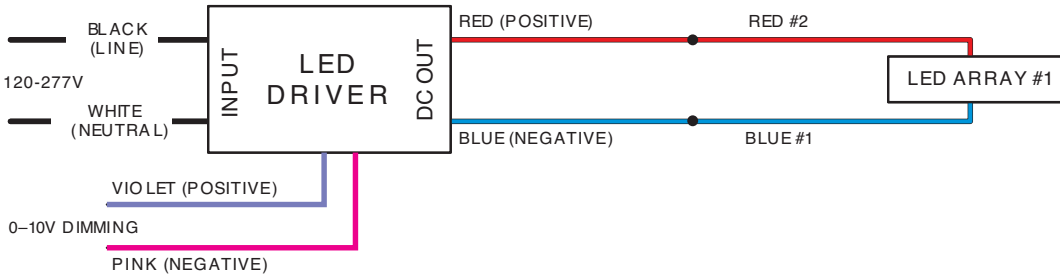




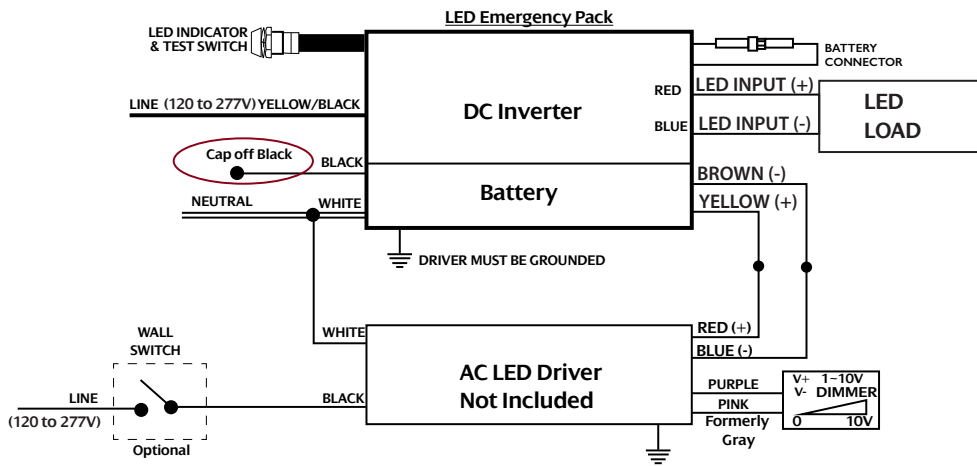
### Wiring | Single Lamp Cord



**For Models:**

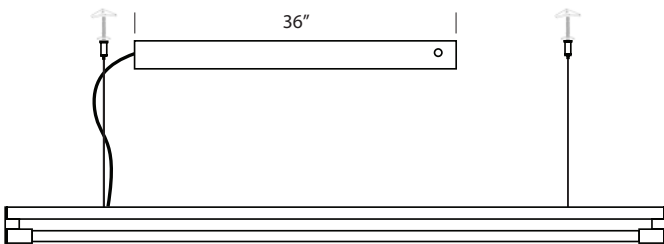
- SLT4
- SLT6
- SLT7
- SLT9
- SLW5

### Wiring | Emergency Backup



### EM fixtures

Emergency backup fixtures have 36" long driver housings. 4' fixtures suspend directly from the driver housing cover plate with charge indicator light and test switch. EM backup for 4', 6' and 8' only.



**NOTE:** Drivers must be accessible after installation, and must be mounted no less than 4 inches apart side-by-side and 1 inch apart end-to-end, to avoid overheating.

Maximum canopy to fixture distance: 25 ft. Maximum canopy to driver distance: 100 ft. (with 10 AWG wire).

### Optional J-Box Mount

Order **S100P** Box Cover

**NOTE:** optional box cover will offset fixture from ceiling by 1/16".

Mount with spacers and two anchor screws, 9.6 inches apart.

