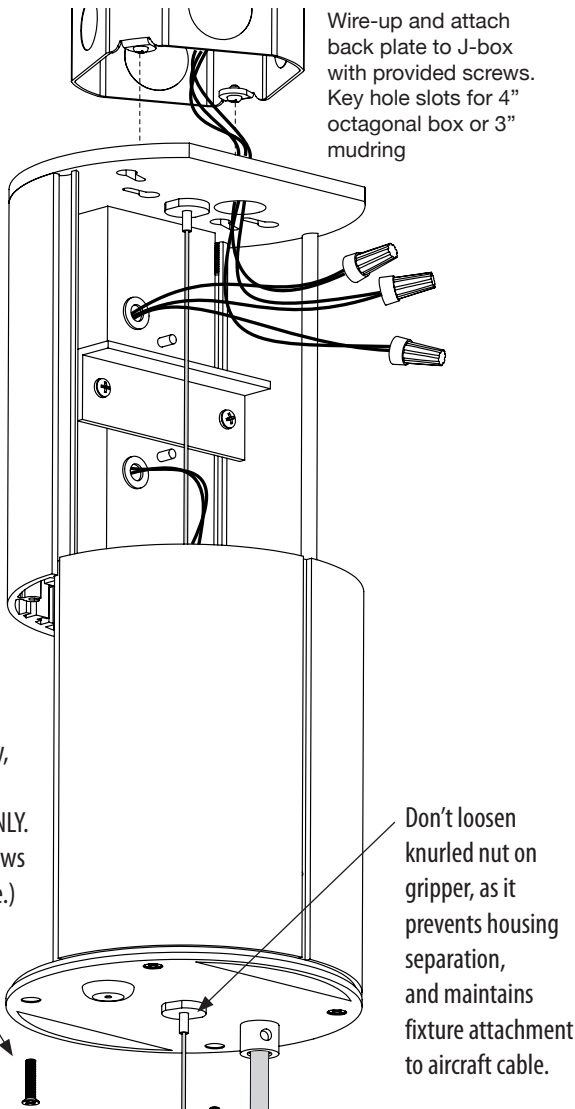


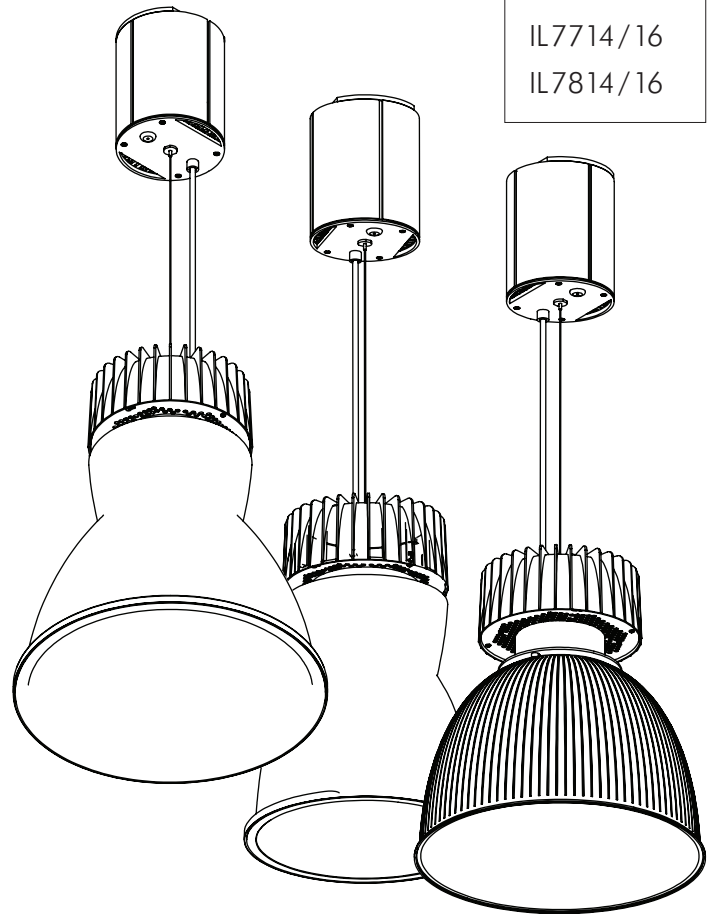
ROCKET OPEN LED

4/6000 Lumen Installation & EM Wiring Installation ou de montage

1



For Models:
IL7714/16
IL7814/16



COLOR CODE

Primary side:
Black = Line voltage
White = Neutral
Green = Ground

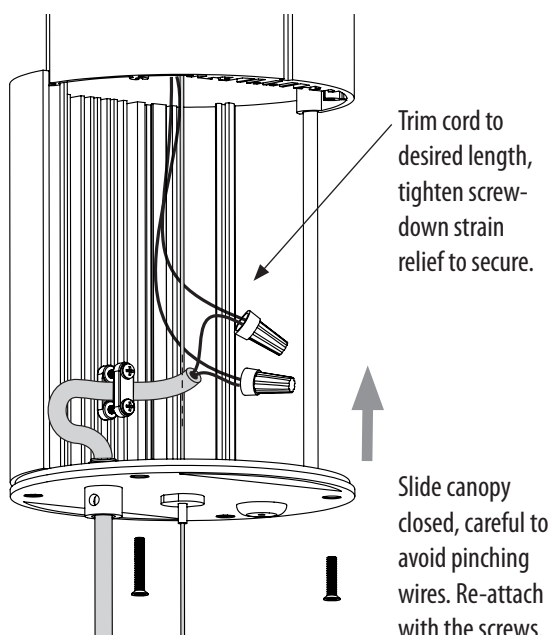
Dimming (cap if unused)
Purple = 0-10V
Gray = 0-10V

Secondary side:
Red = LED positive
Blue or black = LED negative

WARNING: disconnect main power at the source prior to installation!
Only qualified electricians should install Delray Lighting products.

- Read instructions and review diagrams prior to installation.
- Before beginning installation, turn off circuit breaker or remove fuse at fuse box to disconnect power. Turning off a light switch is insufficient to prevent electrical shock.
- All electrical connections must be in compliance with local codes, ordinances and the National Electrical Code. If you are unfamiliar with these methods of electrical wiring installation, secure the services of a qualified, licensed electrician.

2



ROCKET OPEN LED

6000 Lumen EM Wiring Installation ou de montage

