

WARNING:

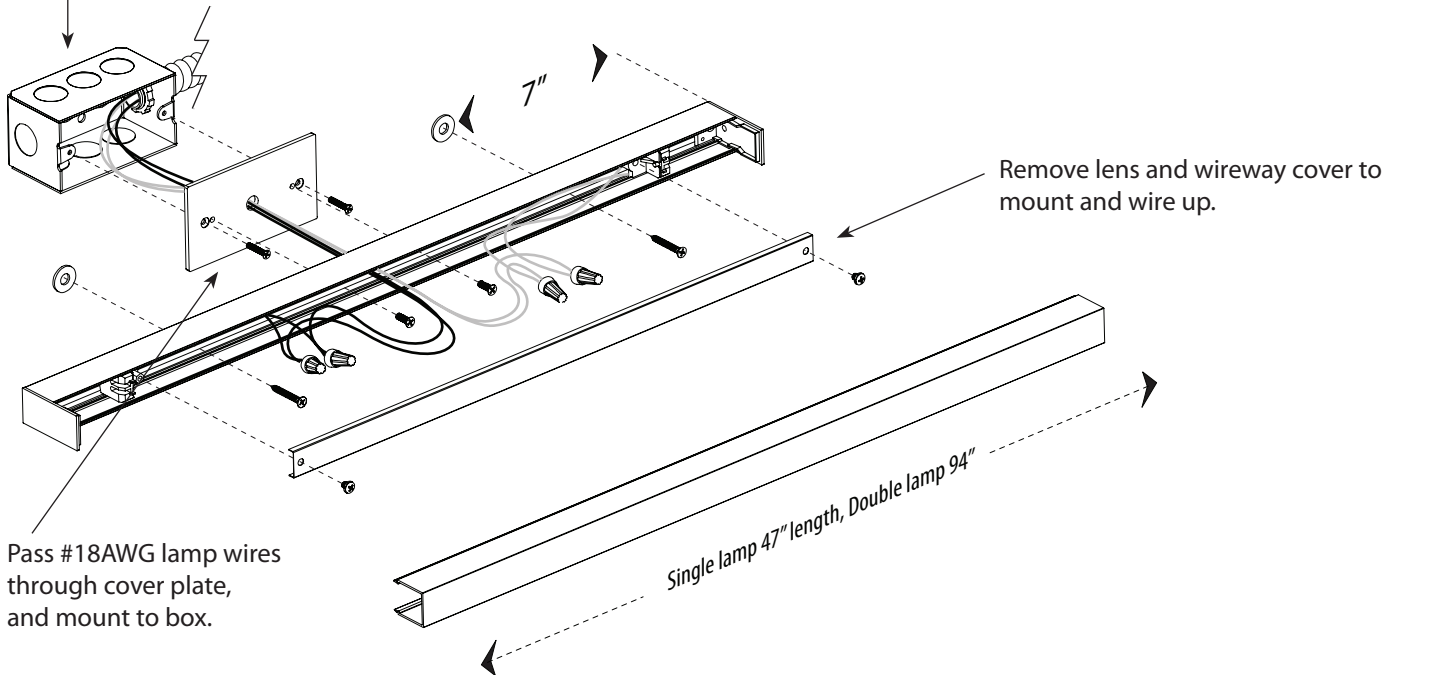
Disconnect main power at the source prior to installation!

Only qualified electricians should install Delray Lighting products.

Mount 2x4 box inline with fixture, center to fixture. (Box and conduit by others.)

Maximum distance between lamp and ballast is 16 feet; 3.5 feet maximum distance for EM or dimming ballasts.

Remote ballast box may be mounted directly to structure, or with bar hangers.



Pass #18AWG lamp wires through cover plate, and mount to box.

Remove lens and wireway cover to mount and wire up.

WARNING Risk of fire or electric shock. Only qualified, licensed electricians should install Delray Lighting products.

1. Read and review all instructions and diagrams prior to installation.
2. Disconnect power prior to installation. Turn off circuit breaker or remove fuse from fuse panel. (Turning off the light switch is insufficient to safeguard against electric shock.)
3. Electrical connections must conform to local codes and ordinances, or the National Electrical Code.

4. Wire the luminaire following the wiring diagram on the driver, or inside the box. Use UL listed wire connectors suitable for the size, type, and number of conductors. No loose strands or wires should be present. Secure wire connectors with UL listed electrical tape and wire nuts.
5. Install lamps (not included). Do not exceed recommended wattage.
6. Restore electricity and test fixture.

NOTE: These safeguards and instructions are not intended to cover all possible conditions and circumstances. Proceed with caution; utilizing established professional electrical installation methods, tools, and supplies.