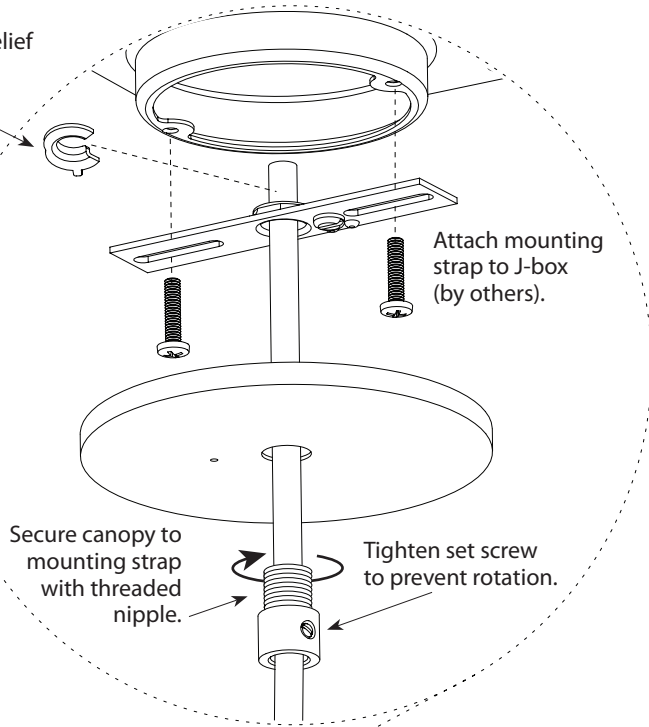


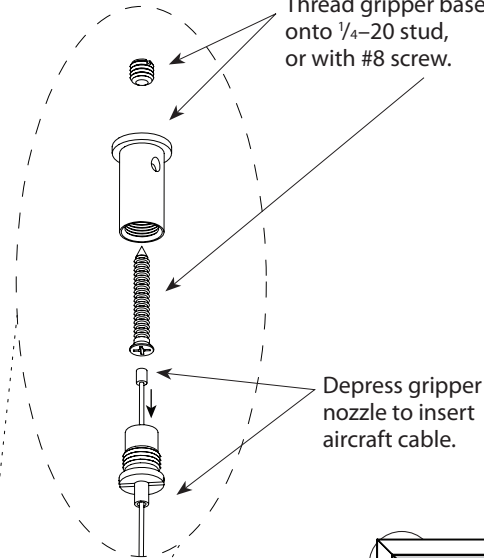
## SLRD Mount Option Installation ou de montage



Use crimp strain relief on lamp cord, and wire up



Thread gripper base onto 1/4-20 stud, or with #8 screw.

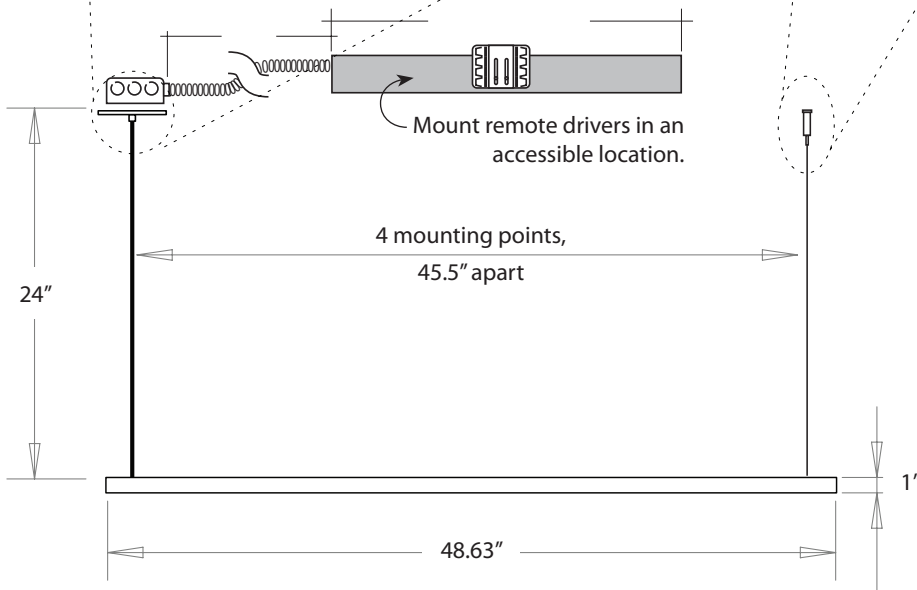


### WARNING:

Disconnect main power at the source prior to installation!  
Only qualified electricians should install Delray Lighting products.

Max. Wiring Distance (at full load)

Wire Size (AWG)	Distance (ft.)
18	18
16	29
14	46
12	71
10	120



**NOTE:** Maximum canopy to fixture distance: 25 ft. Maximum canopy to driver distance: 100 ft. (with 10 AWG wire).

Multiple drivers must be mounted no less than 4 inches apart side-by-side, and 1 inch apart end-to-end, to avoid overheating.