



SWING & STICK  
T5/T5HO



## **SWING/STICK: DESIGNED IN THE SPIRIT OF LEED.**

**ENERGY EFFICIENT LAMPS AND BALLASTS:** The T5 lamp features low and high output lamps in three sizes, 2 ft (600mm), 3ft (900mm) and 4ft (1200mm), which provide fine tuning to the architect's energy consumption and scale demands.

**CONTROLS:** Swing/Stick is offered with five standard dimming ballast options to accommodate simple scene control or energy management strategies like daylight harvesting, programmable /addressable switching, or stepped dimming.

**RECYCLED CONTENT:** Aluminum extrusions: 60%  
Zamac castings: 100%

**WEIGHT:** At a mere 4 ounces per linear foot, Swing/Stick uses the least raw materials while still providing the optics, appearance and durable construction essential for good lighting design.

**SHORT SUPPLY LINE:** Swing/Stick is made in the USA, reducing supply line distances.

**CLEAN MFG PROCESS:** Delray complies to the highest standards of the State of California fabrication processes to control air and water quality management. Our new facility exceeds Title 24 building codes.

# Diffusers

Swing and Stick diffusers shown fit most models.



180° perforated diffuser  
rotates 360° around lamp

Cat. #	Length	Watt
211	2'	14/24
311	3'	21/39
411	4'	28/54



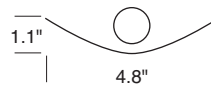
2 piece 115° perforated diffuser

Cat. #	Length	Watt
212	2'	14/24
312	3'	21/39
412	4'	28/54



Direct/Indirect elliptical white perforated  
diffuser with acrylic backing

Cat. #	Length	Watt
213	2'	14/24
313	3'	21/39
413	4'	28/54



Direct/Indirect square louver

Cat. #	Length	Watt
220	2'	14/24
320	3'	21/39
420	4'	28/54





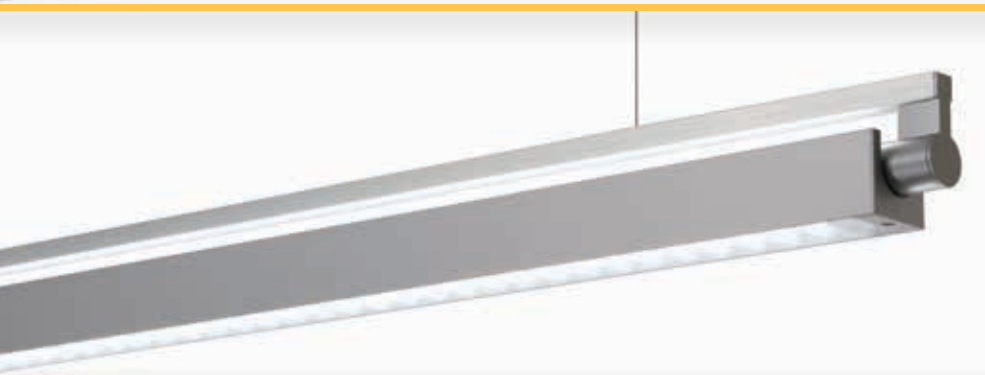
Frosted prismatic acrylic diffuser

Cat.#	Length	Watt
221	2'	14/24
321	3'	21/39
421	4'	28/54



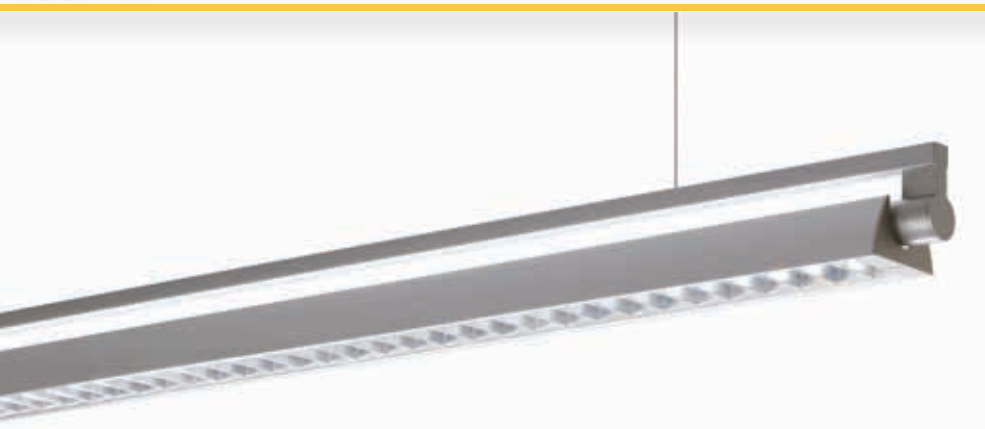
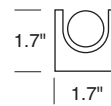
180° solid anodized lamp shield  
rotates 360° around lamp

Cat.#	Length	Watt
223	2'	14/24
323	3'	21/39
423	4'	28/54



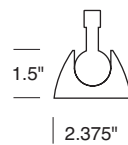
Direct/Indirect prismatic lens

Cat.#	Length	Watt
230	2'	14/24
330	3'	21/39
430	4'	28/54



Direct/Indirect prismatic lens  
(4 ft. lamps only)

Cat.#	Length	Watt
440	4'	28/54



# Asymmetric diffusers

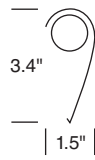


DELRAY 4



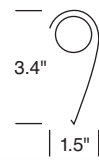
Asymmetric reflector w/partial perforation

Cat. #	Length	Watt
217	2'	14/24
317	3'	21/39
417	4'	28/54



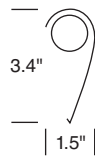
Asymmetric white reflector fully perforated with acrylic backing

Cat. #	Length	Watt
218	2'	14/24
318	3'	21/39
418	4'	28/54

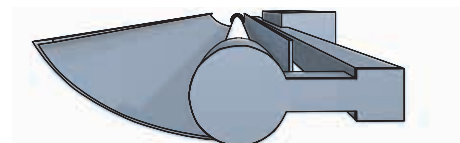
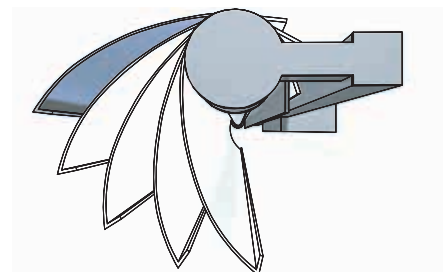


Asymmetric reflector w/no perforation

Cat. #	Length	Watt
219	2'	14/24
319	3'	21/39
419	4'	28/54



Asymmetric reflectors may be used on all fixtures, and may be adjusted or flipped over for directional control.

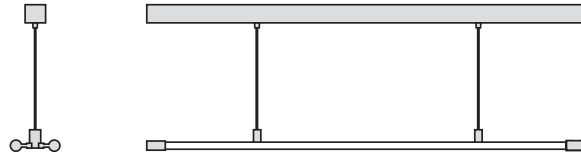


# Swing

## SW42

Stand-alone  
pendant  
double lamp

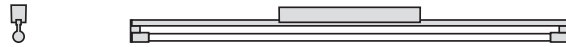
Page 26



## SW51

Stand-alone  
surface  
single lamp

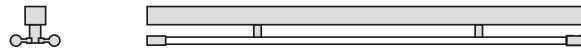
Page 8



## SW52

Stand-alone  
surface  
double lamp

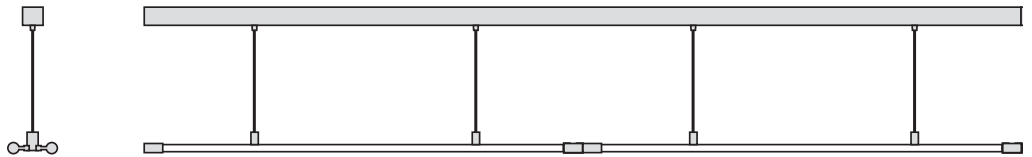
Page 30



## SW62

Rail mount  
pendant  
double lamp

Page 26



## SW72

Rail mount  
surface  
double lamp

Page 30

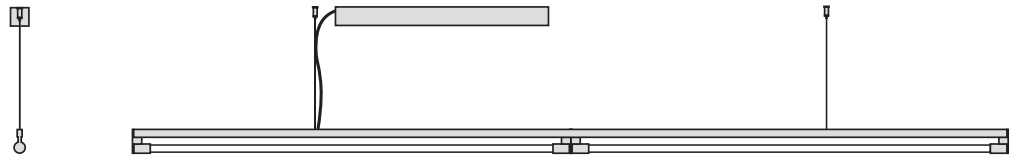


# Stick

## ST4

Stand-alone  
pendant  
or continuous

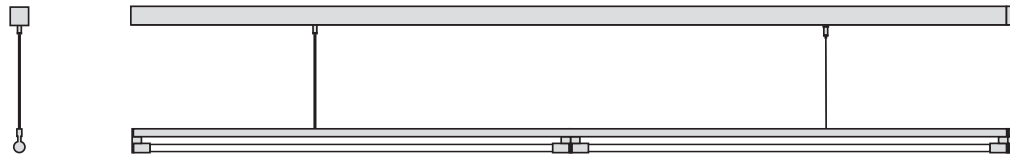
Page 12



## ST6

Rail mount  
pendant

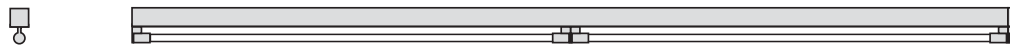
Page 18



## ST7

Rail mount  
surface

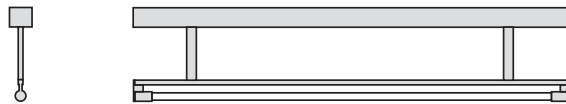
Page 22



## ST8

Rail mount  
hard stem  
single lamp

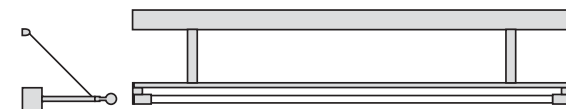
Page 34



## ST9

Rail mount  
cantilever  
single lamp

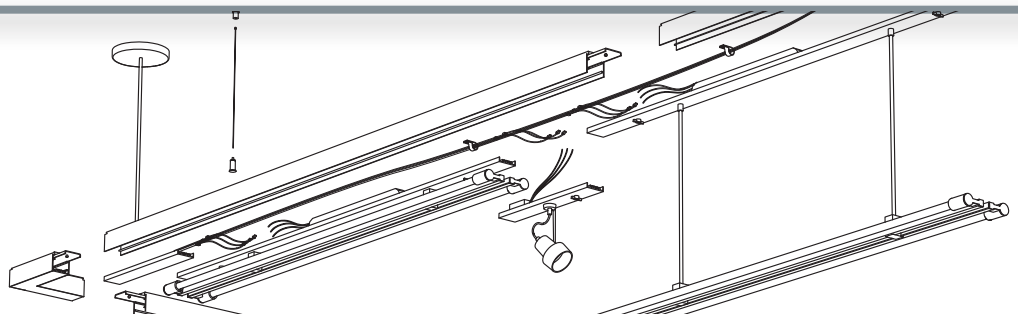
Page 36



## Rail

Rail system  
components

Page 14



**SW5** Swing stand-alone surface

Swing surface standard is a stand-alone fixture that uses our smallest ballast housing. The SW5 series may be vertical or horizontal wall mount or ceiling mounted, and is not available with dimming ballasts or emergency battery packs, due to its minimal size.

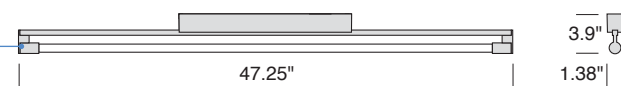
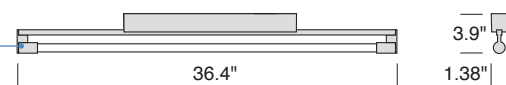
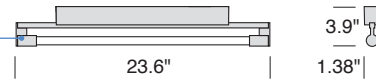
Swing surface



Order Info

Swing Surface

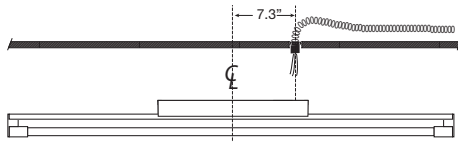
Cat. #	Length	Watt
SW52114	2'	1-14
SW52124	2'	1-24
SW53121	3'	1-21
SW53139	3'	1-39
SW54128	4'	1-28
SW54154	4'	1-54



See pages 2-5 for available diffusers

## How to build fixture number

**SW54128** - **411** - **277** - **SW200S**  
 Swing#                  diffuser                  voltage                  option



surface direct feed

### Direct conduit feed

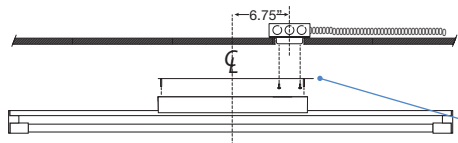
For a minimal appearance, Swing should be fed directly with conduit using a 1/2" threaded conduit fitter screwed into the cast back plate of the ballast housing. Please note that the power does not enter in the center of the ballast housing. Detailed mounting instructions are available online at [www.delraylighting.com](http://www.delraylighting.com)

## SW5 Options

### Box mount

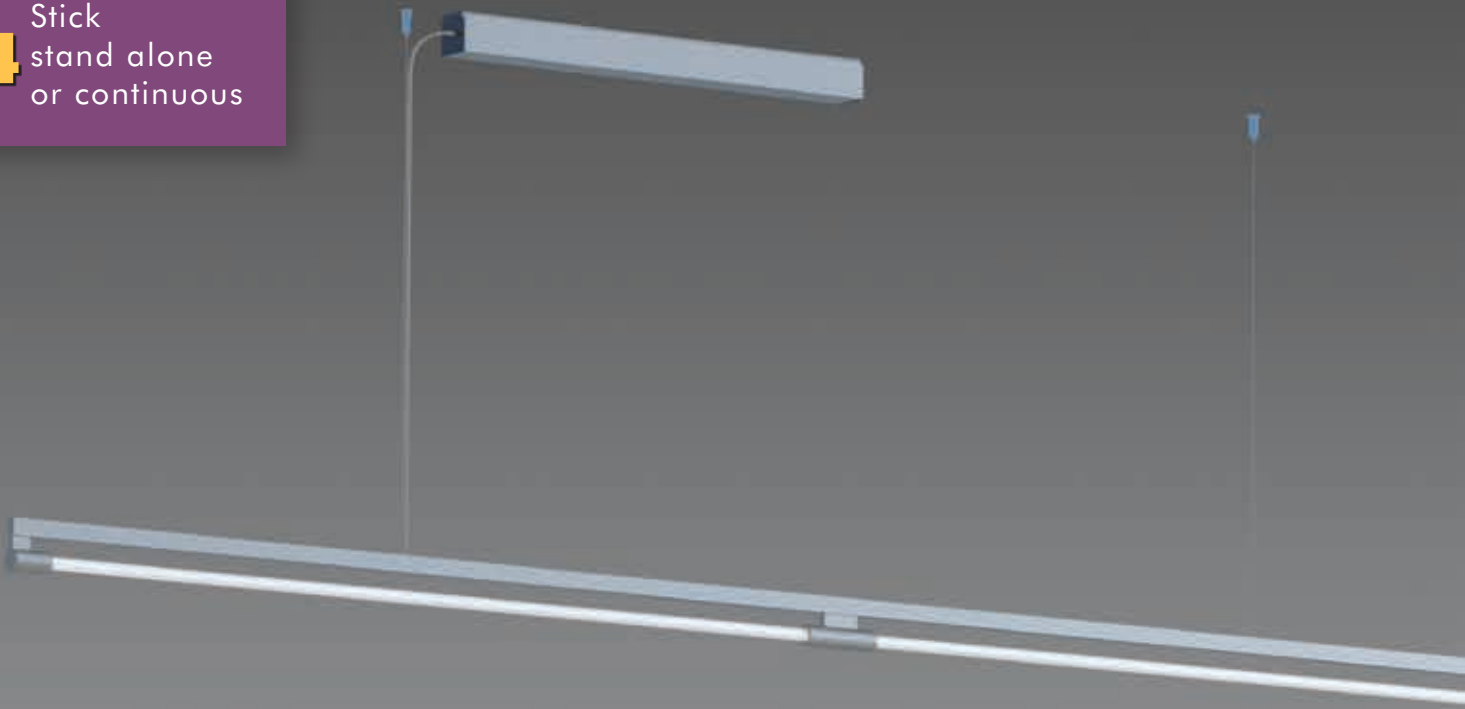
When direct feed is not possible, Swing may be mounted over a J-box with a 3" mud ring, using the optional SW200 mounting plate. Please note that the power does not enter in the center of the ballast housing. Detailed mounting instructions are available online at [www.delraylighting.com](http://www.delraylighting.com)

Order#  
**SW200S** silver  
**SW200W** white



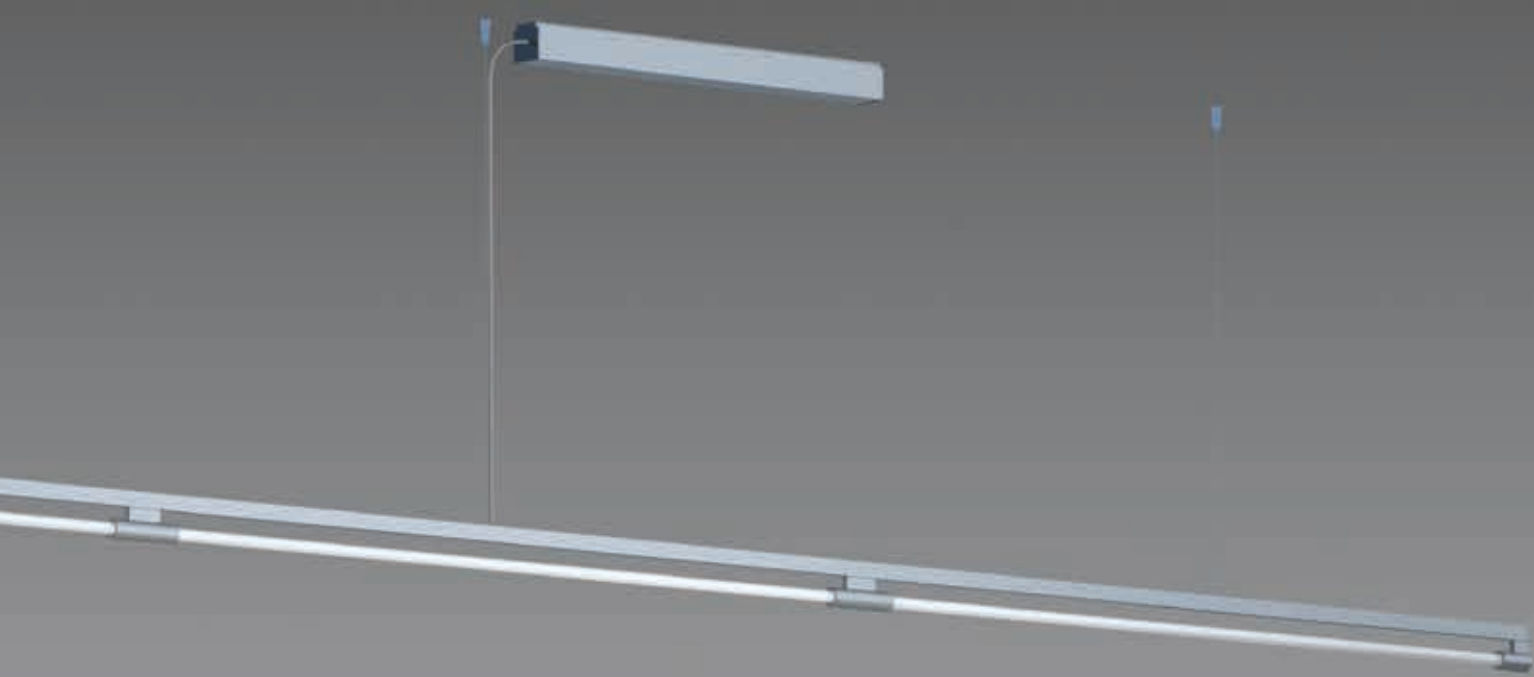
surface box mount

**ST4** Stick  
stand alone  
or continuous



Euro Cucina  
Pasadena, CA

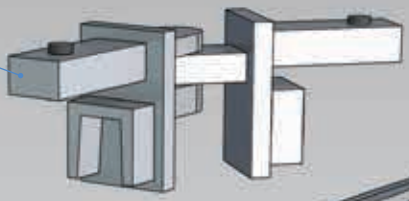
DELRAY 10



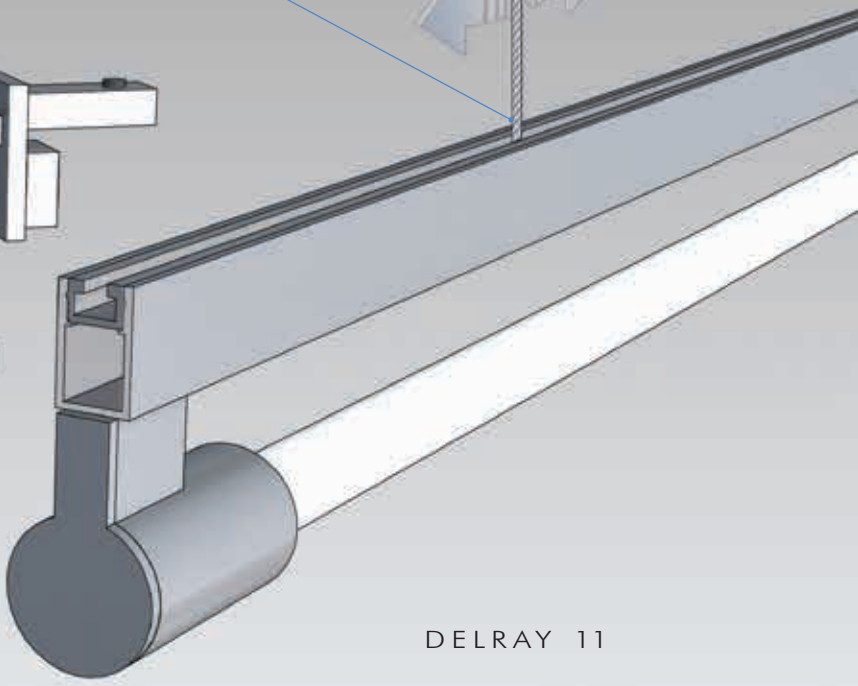
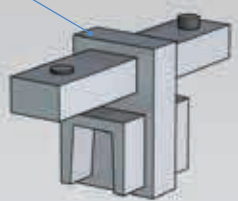
**Stick features** ←  
a sliding support cable on the end opposite the power cord for those times when a straight shot to the ceiling isn't possible.



**STJA** ←  
Stick swivel connector rotates 240°, adds 7/16" to overall length.

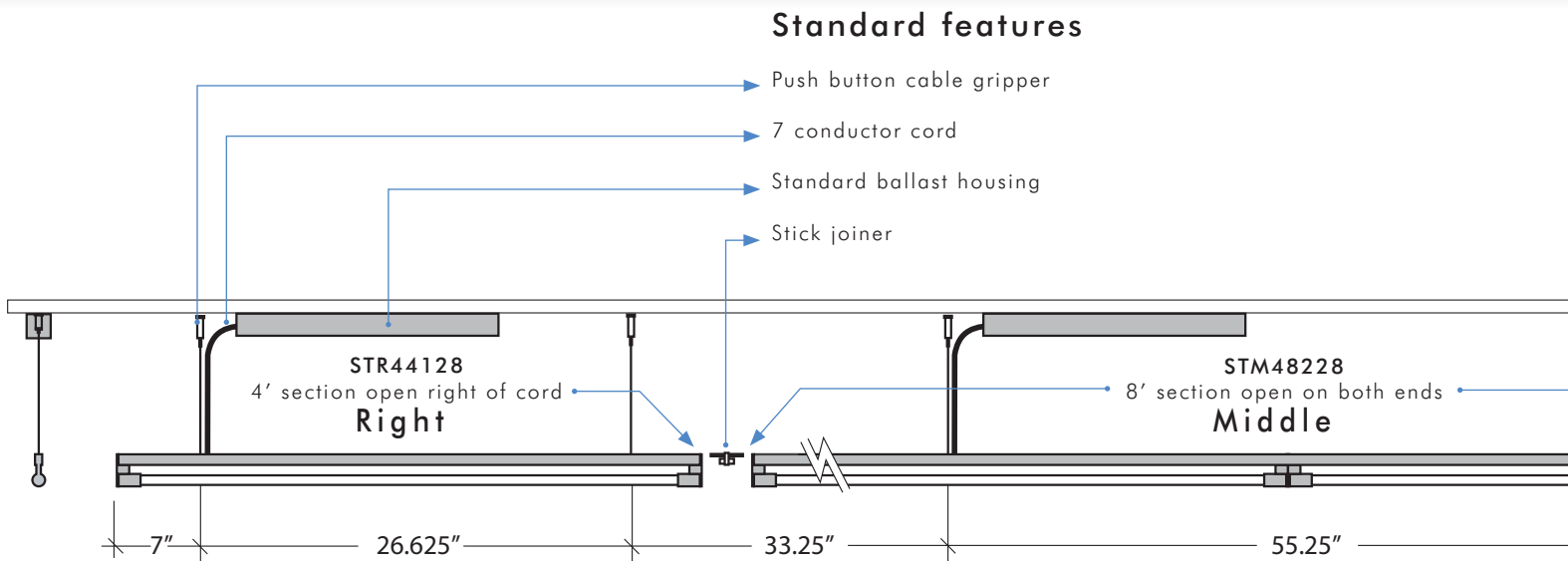


**STJR** ←  
One Stick connector shipped standard with connecting fixtures. Creates a mechanical connection for continuous runs.



Stick standard pendant may be ordered as stand-alone fixtures or for continuous runs. Provided with 8' of adjustable cord and AC cables. Dimming ballasts are limited to 3' maximum cord length. Emergency backup units add 24" to standard ballast housing and are limited to a 4' maximum cord length. Recessed ballast housings are available for T-bar ceilings.

Example of nominal 20' run



Order Info

**3' Stick pendant**

Cat.#	Length	Watt
Stand alone fixture		
ST43121	3'	1-21
ST43139	3'	1-39

**Right**

Connects right side		
STR43121	3'	1-21
STR43139	3'	1-39

**Middle**

Connects both sides		
STM43121	3'	1-21
STM43139	3'	1-39

**Left**

Connects left side		
STL43121	3'	1-21
STL43139	3'	1-39

**4' Stick pendant**

Cat.#	Length	Watt
Stand alone fixture		
ST44128	4'	1-28
ST44154	4'	1-54

**Right**

Connects right side		
STR44128	4'	1-28
STR44154	4'	1-54

**Middle**

Connects both sides		
STM44128	4'	1-28
STM44154	4'	1-54

**Left**

Connects left side		
STL44128	4'	1-28
STL44154	4'	1-54

**6' Stick pendant**

Cat.#	Length	Watt
Stand alone fixture		
ST46221	6'	2-21
ST46239	6'	2-39

**Right**

Connects right side		
STR46221	6'	2-21
STR46239	6'	2-39

**Middle**

Connects both sides		
STM46221	6'	2-21
STM46239	6'	2-39

**Left**

Connects left side		
STL46221	6'	2-21
STL46239	6'	2-39

**8' Stick pendant**

Cat.#	Length	Watt
Stand alone fixture		
ST48228	8'	2-28
ST48254	8'	2-54

**Right**

Connects right side		
STR48228	8'	2-28
STR48254	8'	2-54

**Middle**

Connects both sides		
STM48228	8'	2-28
STM48254	8'	2-54

**Left**

Connects left side		
STL48228	8'	2-28
STL48254	8'	2-54

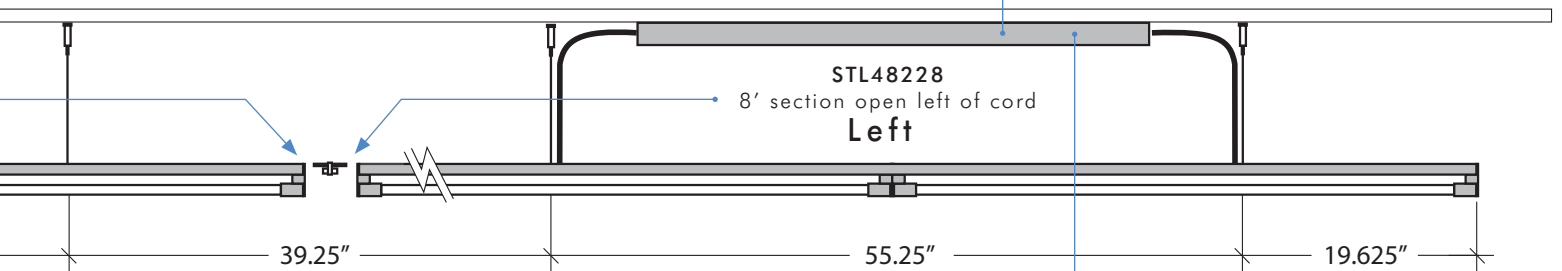
See pages 2-5 for available diffusers

# How to build fixture number

**ST48228** - **411** - **277** - **SD3**  
 Stick#                      diffuser                      voltage                      option

## Dimming features

Due to lamp lead length limitations for dimming ballasts, all fixtures with 2 lamps require 4' ballast housings with a maximum cord drop of 3' on both sides of fixture to accommodate 2 ballasts.



## ST4 Options

**Dimming Ballasts** Voltage must be specified. 3' maximum cord length, 8' fixtures require 4' ballast housing.

Cat. #	Type	Watt
SD3	Advance Mark X	54
SD5	Advance Mark VII	28, 54
SD8	Lutron Hi Lume FDB	28, 54
SD9	Lutron Eco System	28, 54
SD10	Stepped dim 50% for 2x28W only	2x28

**Emergency Backup** Voltage must be specified. 4' max. cord length.

Cat. #	Type	Watt
SEM13	1300 lumens	28, 54

### Recessed Ballasts

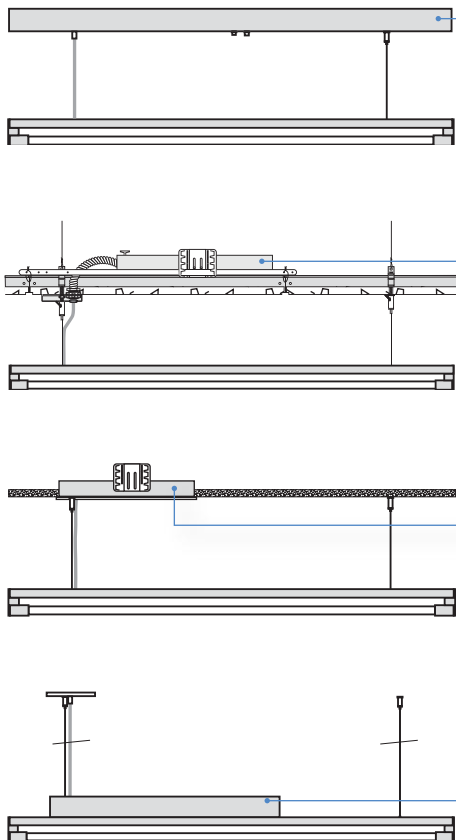
Cat. #	Type	Watt
SWRB	For drop ceilings only	28, 54

### Flush Mount Ballast Housing

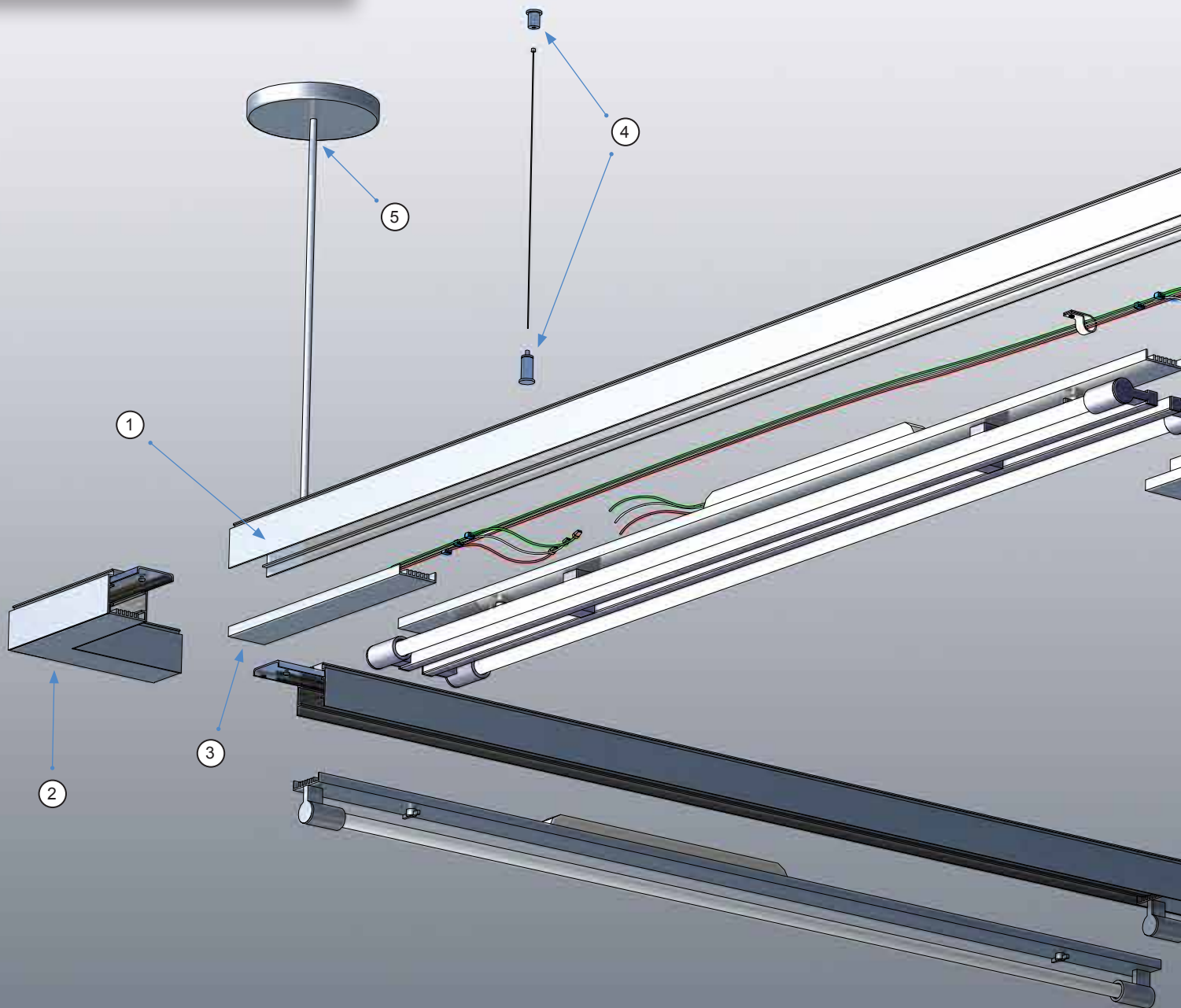
Cat. #	Type
SFB	22" ballast, joist mount rough-in

### Piggy Back Option

Cat. #	Type
DPB	Fixture housing mount



# Rail system



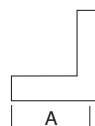
## ① Mounting Rail

Matte anodized aluminum sections include joining plate and wiring harness.

Catog Number	Length Inches	Length mm
SR24	23.6	600
SR36	35.4	900
SR48	47.25	1200
SR60	59	1500
SR72	70.9	1800
SR96	94.5	2400

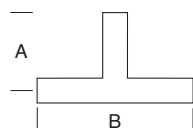
## ② 90° Corner Joint

Cat.#	Inches	mm
SRL	5.9	150



## T-connector

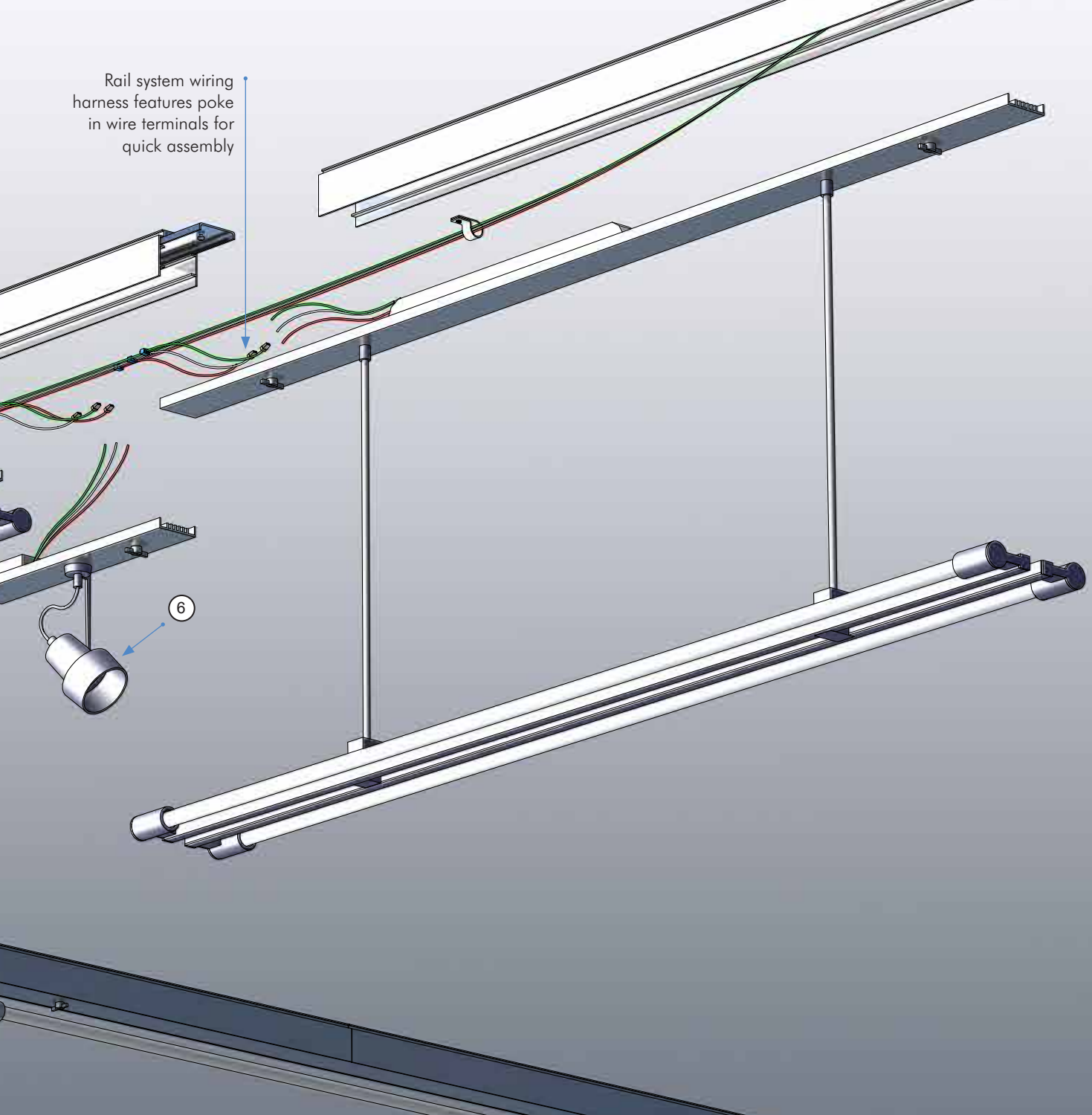
Catog Number	Length Inches	Length mm
SRT A	5.9	150
B	11.8	300



## ③ Covering Section

Rail fixtures supplied mounted to a matte anodized aluminum section that snaps to mounting rail. Fixture-spacing blank cover sections are available in the following sizes:

Catog Number	Length Inches	Length mm
SC06	5.9	150
SC12	11.8	300
SC24	23.6	600
SC36	35.4	900
SC48	47.25	1200
SC60	59	1500
SC72	70.9	1800
SC96	94.5	2400



#### ④ Cable Assembly

Cat. #

**SAC**—8 ft. of aircraft cable with top and bottom cable gripper, specify extra length if required.

#### ⑤ Power Feed Canopy

Cat. #

**SPF4**—8 ft. silver braided 4 conductor cord for SD8, SD10 dimming and SEM options.

**SPF5**—8 ft. silver braided 5 conductor cord (black, white, green, purple, grey) for SD5 and SD9 dimming ballasts.

#### ⑥ Spotlight Sections

Cat. #

**SW1MR**—300mm covering section with one adjustable MR16 spot light.

**SW2MR**—600mm covering section with two adjustable MR16 spot lights.

**SW3MR**—900mm covering section with three adjustable MR16 spot lights.

**SW1MRLED**—300mm covering section with one adjustable LED MR16 spot light.

**SW2MRLED**—600mm covering section with two adjustable LED MR16 spot lights.

**SW3MRLED**—900mm covering section with three adjustable LED MR16 spot lights.

#### Rail End Cover

Cat. #

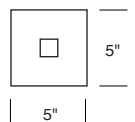
**SE0**—no hole



**SE1**—with 3/8" cord hole



**SE2**—with 7/8" hole for conduit



#### J-box Cover

Cat. #

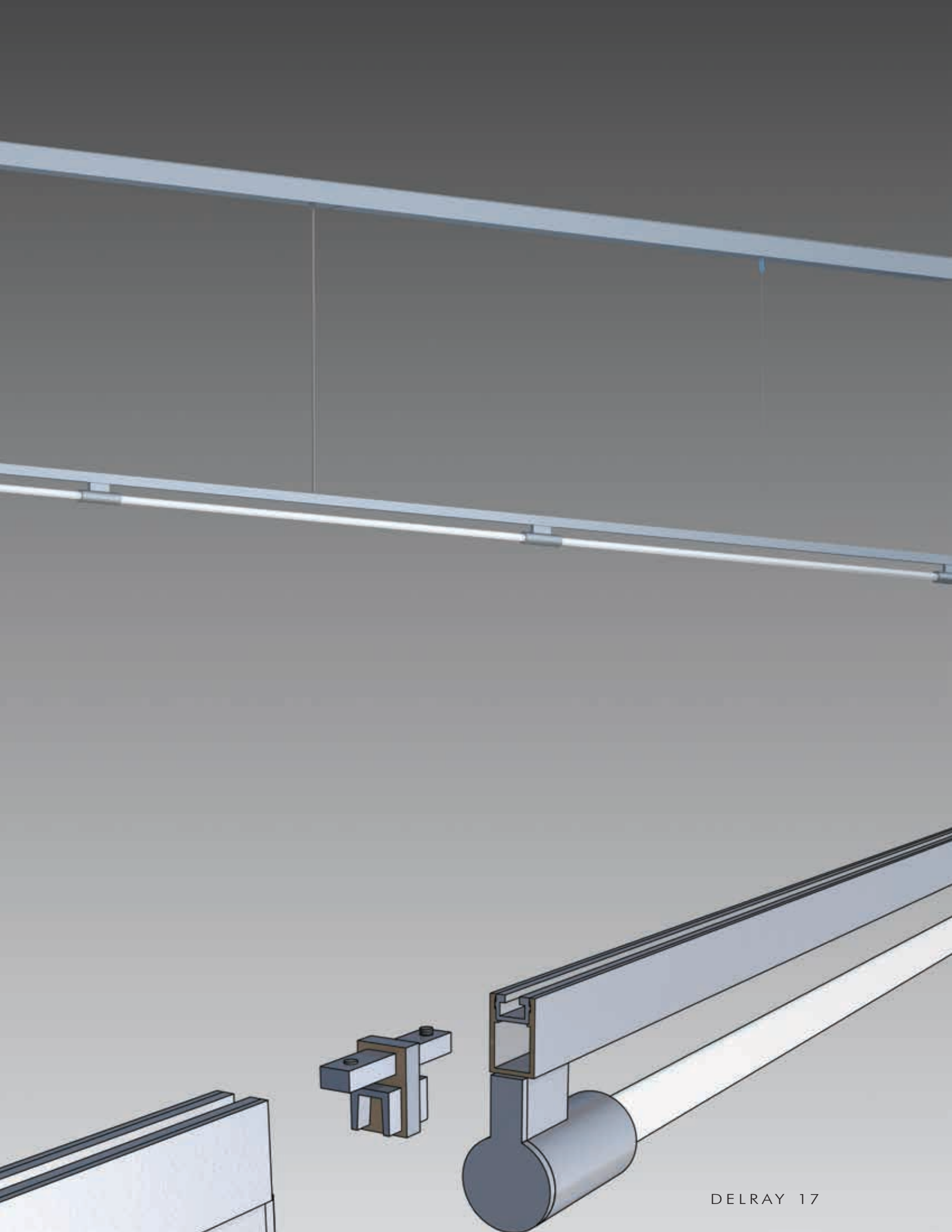
**S100P**—Swing rail housings should be fed directly with conduit but if mounting to a J-box.

**ST6**

Stick  
rail mount  
pendant



Bohlin Cywinski Jackson  
Architects  
San Francisco, CA

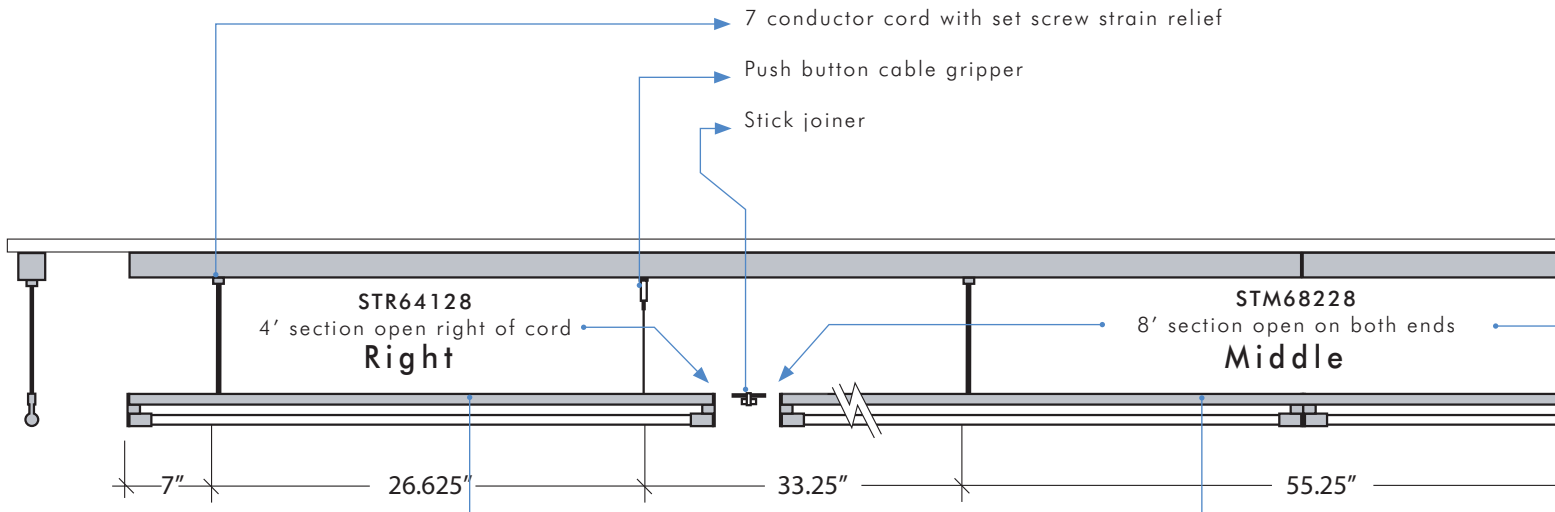


# ST6 Stick rail mount pendant

Stick rail pendant uses a wire way for continuous runs. 8' cord and AC cable are pre-mounted to a cover plate. Rail may be mounted directly to ceiling, or suspended for additional length. Dimming ballasts are limited to a 3' maximum cord length. Emergency back up units are limited to 4' maximum cord length. Rail components must be ordered separately. See pages 14 and 15.

## Example of nominal 20' run

### Standard features



### Order Info

#### 4' Stick pendant

Cat. #	Length	Watt
Stand alone with rail & end caps		
ST64128	4'	1-28
ST64154	4'	1-54

#### Right

Connects right side

STR64128*	4'	1-28
STR64154*	4'	1-54

#### Middle

Connects both sides

STM64128*	4'	1-28
STM64154*	4'	1-54

#### Left

Connects left side

STL64128*	4'	1-28
STL64154*	4'	1-54

\*Rail must be ordered separately

#### 8' Stick pendant

Cat. #	Length	Watt
Stand alone with rail & end caps		
ST68228	8'	2-28
ST68254	8'	2-54

#### Right

Connects right side

STR68228*	8'	2-28
STR68254*	8'	2-54

#### Middle

Connects both sides

STM68228*	8'	2-28
STM68254*	8'	2-54

#### Left

Connects left side

STL68228*	8'	2-28
STL68254*	8'	2-54

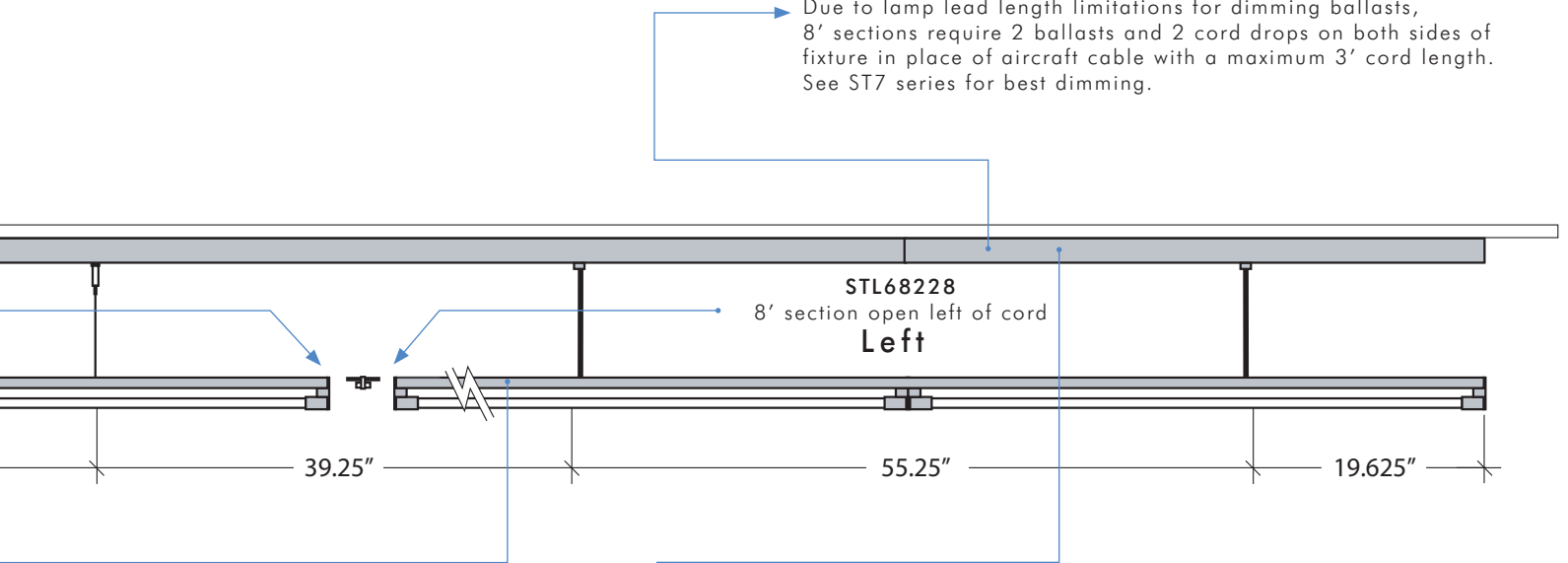
See pages 2-5 for available diffusers

## How to build fixture number

**ST68228** - **411** - **277** - **SD3**  
 Stick#                      diffuser                      voltage                      option

### Dimming features

Due to lamp lead length limitations for dimming ballasts, 8' sections require 2 ballasts and 2 cord drops on both sides of fixture in place of aircraft cable with a maximum 3' cord length. See ST7 series for best dimming.



### ST6 Options

**Dimming Ballasts** Voltage must be specified. Dimming ballasts on 8' fixtures require 2 ballasts.

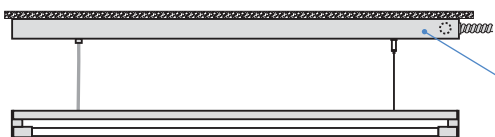
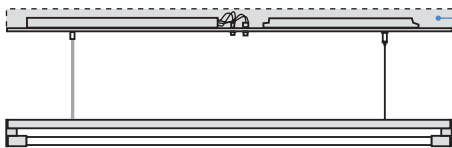
Cat. #	Type	Watt
SD3	Advance Mark X	54
SD5	Advance Mark VII	54
SD8	Lutron Hi Lume FDB	28, 54
SD9	Lutron Eco System	28, 54
SD10	Stepped dim 50% for 2x28W only	2x28

**Emergency Backup** Voltage must be specified. 4' maximum cord length.

Cat. #	Type	Watt
SEM13	1300 lumens	28, 54

### Conduit side feed

Cat. #	Type
SMB	7/8" holes on ballast housing



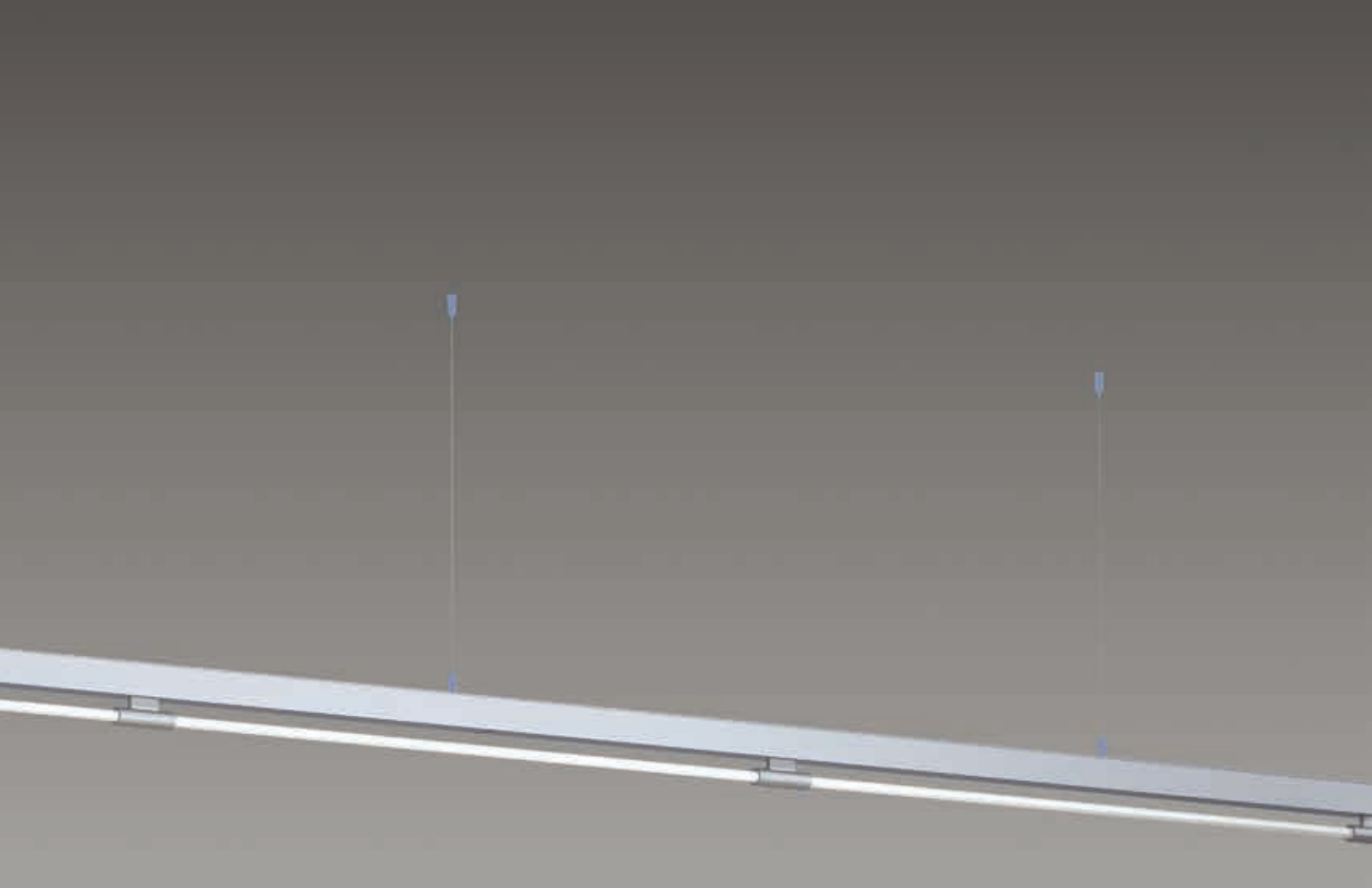
See page 14 for rail components

**ST7**

Stick  
rail mount  
surface



Henkel/Dial Headquarters  
Scottsdale, AZ  
Photo: Bill Timmerman



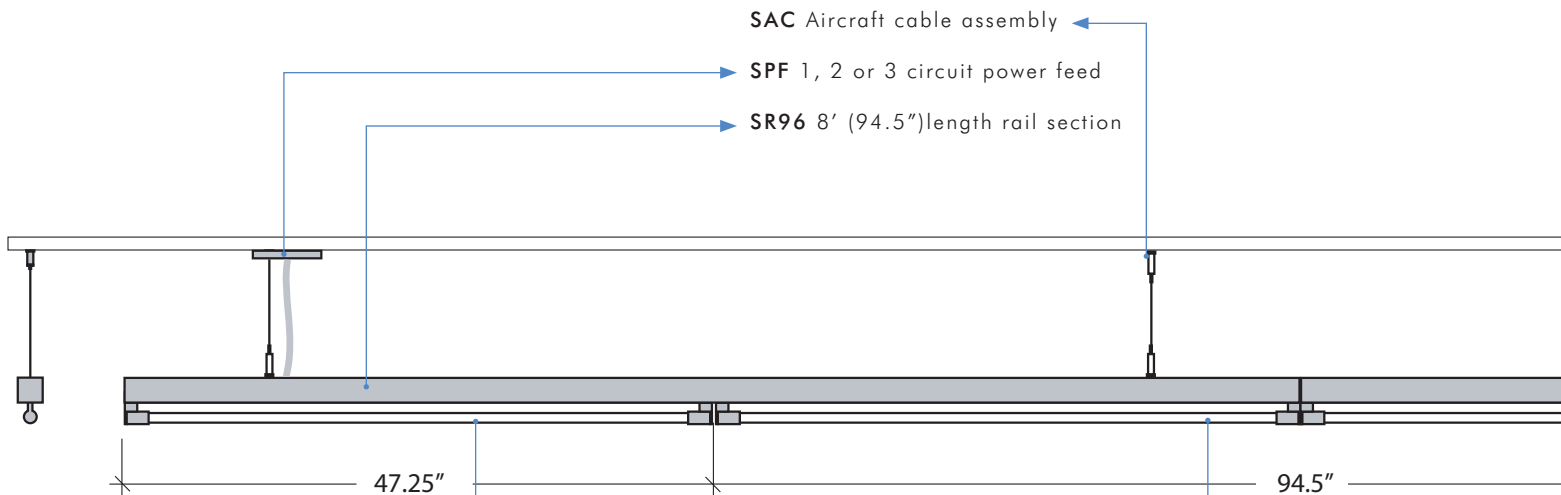
**ST7** Stick rail mount surface

Stick surface is a rail mounted luminaire. Direct conduit feed into rail for a continuous wire way or rail can be suspended with aircraft cable for unlimited drop length. Ideal for high ceilings, dimming and emergency ballasts.

Example of nominal 20' run

**Rail options** (See page 14)

- SAC Aircraft cable assembly
- SPF 1, 2 or 3 circuit power feed
- SR96 8' (94.5") length rail section



**Order Info**

**4' Stick surface**

Cat.#	Length	Watt
Stand alone with rail & end caps		
ST54128	4'	1-28
ST54154	4'	1-54

4' with rail ordered separately, for continuous runs

ST74128	4'	1-28
ST74154	4'	1-54

**8' Stick surface**

Cat.#	Length	Watt
Stand alone with rail & end caps		
ST58228	8'	2-28
ST58254	8'	2-54

8' with rail ordered separately, for continuous runs

ST78228	8'	2-28
ST78254	8'	2-54

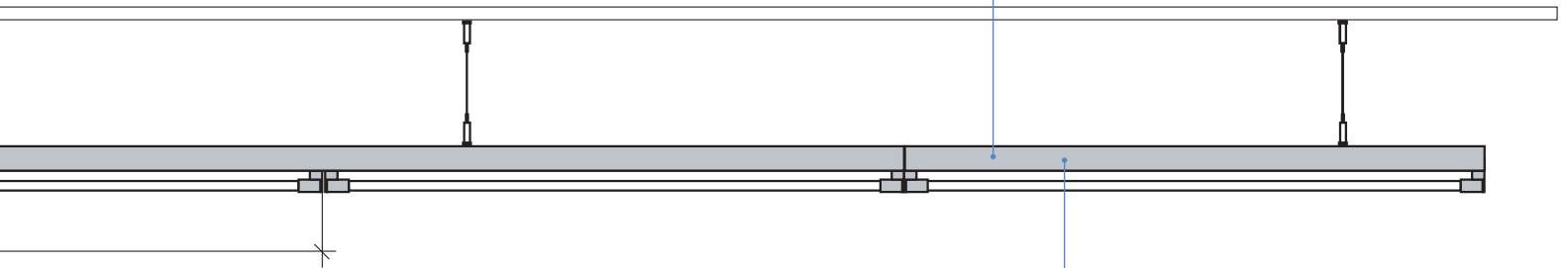
See pages 2-5 for available diffusers

# How to build fixture number

**ST78228** - **411** - **277** - **SD3**  
 Stick#                      diffuser                      voltage                      option

## Dimming features

Integrated ballast will work regardless of suspension length. 8' fixtures use a 2 lamp ballast, 4' fixtures use a 1 lamp ballast. Ideal for Lutron Eco System, as all control wires are self contained in the rail.



## ST7 Options

**Dimming Ballasts** Voltage must be specified.

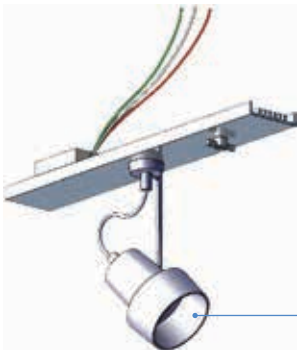
Cat. #	Type	Watt
SD3	Advance Mark X	54
SD5	Advance Mark VII	28, 54
SD8	Lutron Hi Lume FDB	28, 54
SD9	Lutron Eco System	28, 54
SD10	Stepped dim 50% for 2x28W only	2x28

**Emergency Backup** Voltage must be specified.

Cat. #	Type	Watt
SEM	825 lumens	28, 54
SEM13	1300 lumens	28, 54

## Spotlight Sections

Cat. #	Description
SW1MR	300mm cover section, 1 adjustable MR16 spotlight.
SW2MR	600mm cover section, 2 adjustable MR16 spotlights.
SW3MR	900mm cover section, 3 adjustable MR16 spotlights.
SW1MRLED	300mm cover section, 1 adjustable LED MR16 spotlight.
SW2MRLED	600mm cover section, 2 adjustable LED MR16 spotlights.
SW3MRLED	900mm cover section, 3 adjustable LED MR16 spotlights.



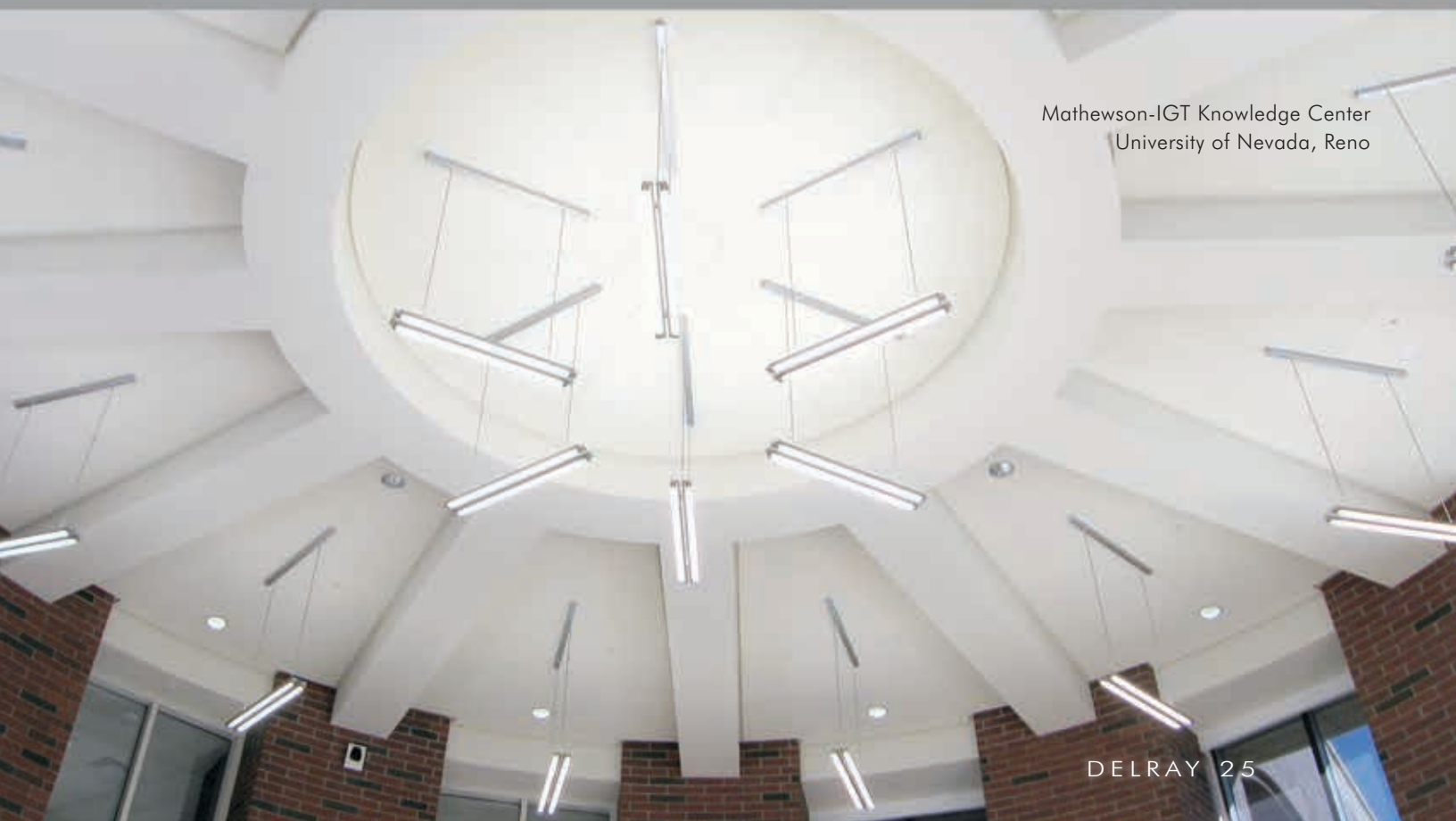
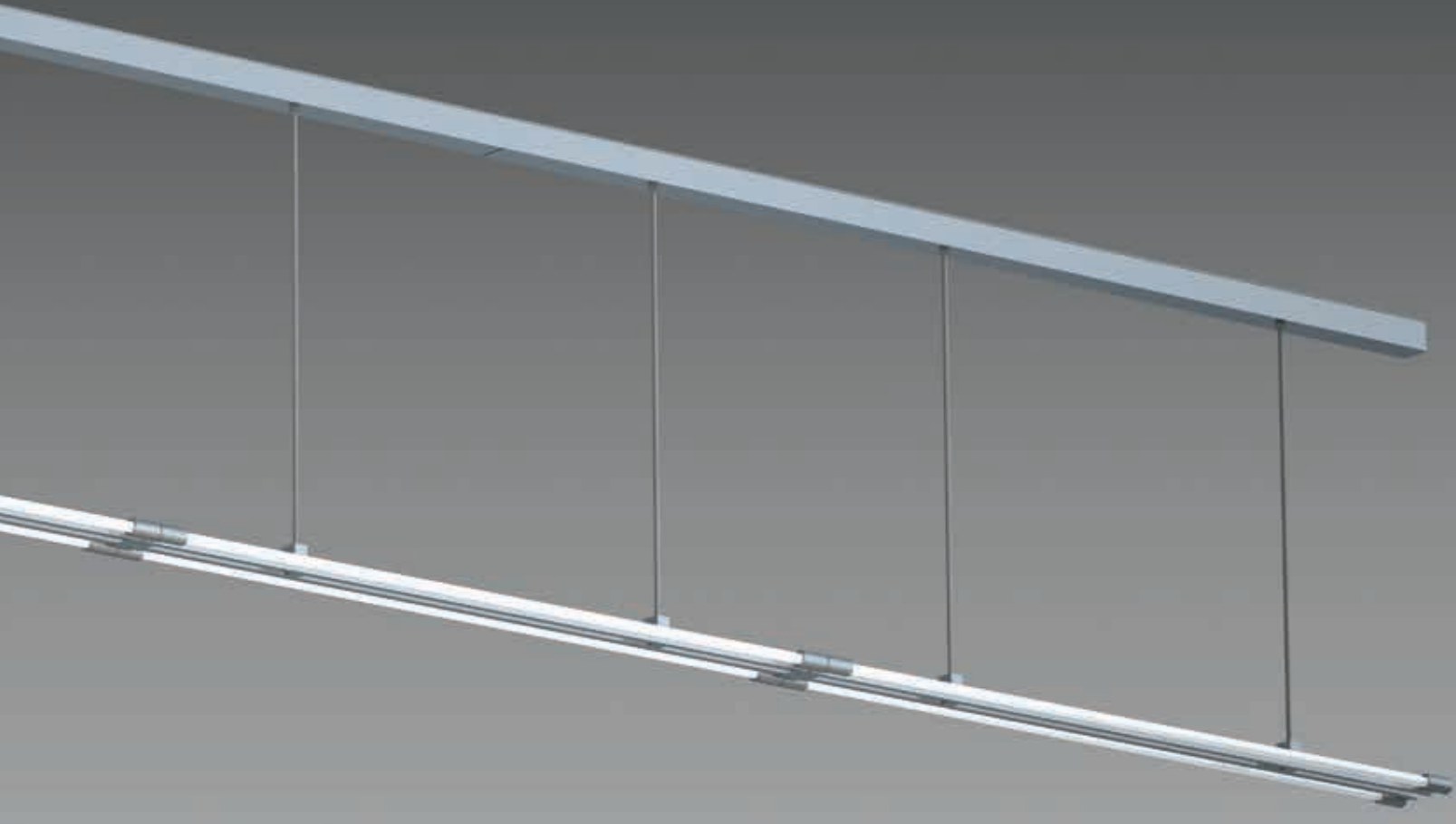
See page 14 for rail components

**SW6**

Swing  
rail mount  
double pendant



DELRAY 24



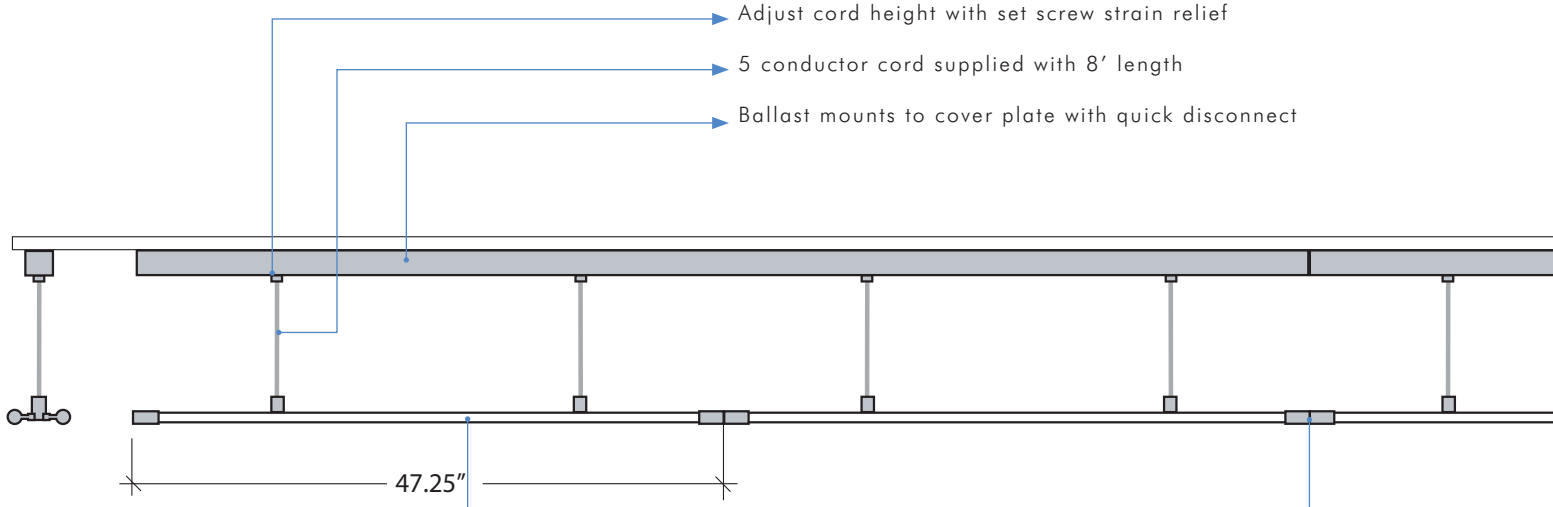
Mathewson-IGT Knowledge Center  
University of Nevada, Reno

Swing double pendant may be ordered as a stand-alone fixture, or for continuous runs. The rail may be surface mounted and fed directly to conduit, or suspended from aircraft cable for additional length. Dimming ballasts are limited to a 3' maximum cord length. Emergency backup units are limited to a 4' maximum cord length. See page 14 for rail components.

Example of nominal 20' run

Standard features

- Adjust cord height with set screw strain relief
- 5 conductor cord supplied with 8' length
- Ballast mounts to cover plate with quick disconnect



Order Info

4' double pendant stand-alone

Cat.#	Length	Watt
Stand alone with rail & end caps		
SW44228	4'	2-28
SW44254	4'	2-54

4' double pendant continuous

rail ordered separately

SW64228	4'	2-28
SW64254	4'	2-54

SDC  
Connects fixtures for continuous runs.

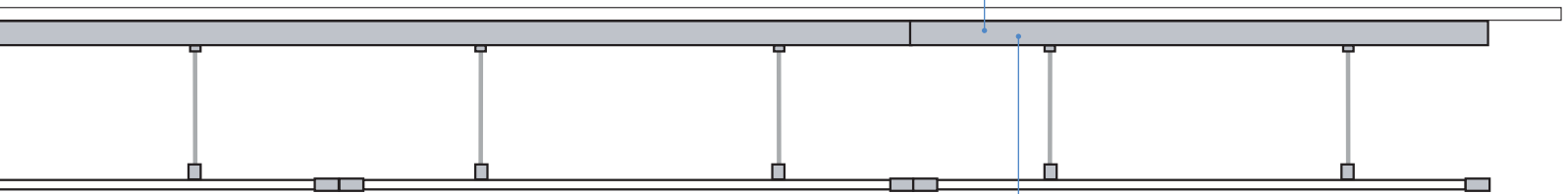
See page 2-5 for available diffusers

# How to build fixture number

SW64228 - 411 - 277 - SD3  
 Swing#                  diffuser                  voltage                  option

## Dimming features

Due to lamp lead length limitations for dimming ballasts, lamp cord length is limited to 3' max. If additional length is required, the rail housing can be suspended for any length. (See SW7 series for best dimming.)



## SW6 Options

**Dimming Ballasts** Voltage must be specified.  
 Dimming ballasts on 8' fixtures require 2 ballasts.

Cat. #	Type	Watt
SD3	Advance Mark X	54
SD5	Advance Mark VII	28, 54
SD8	Lutron Hi Lume FDB	28, 54
SD9	Lutron Eco System	28, 54
SD10	Stepped dim 50% for 2x28W only	2x28

**Emergency Backup** Voltage must be specified.  
 3' maximum cord length.

Cat. #	Type	Watt
SEM	825 lumens	28, 54
SEM13	1300 lumens	28, 54

**Recessed Ballasts** For stand alone fixtures only.

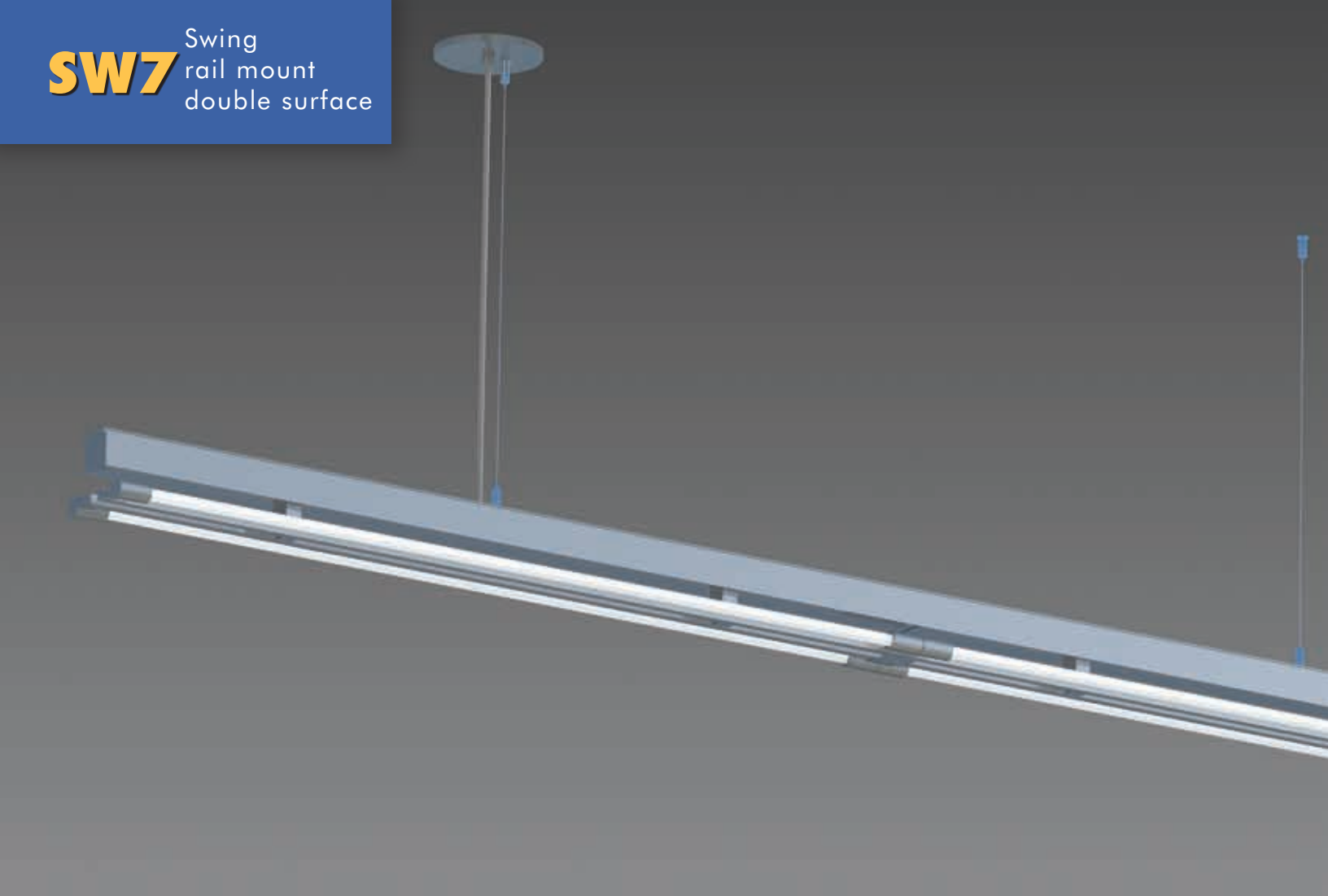
Cat. #	Type
SWRB	For drop ceilings only

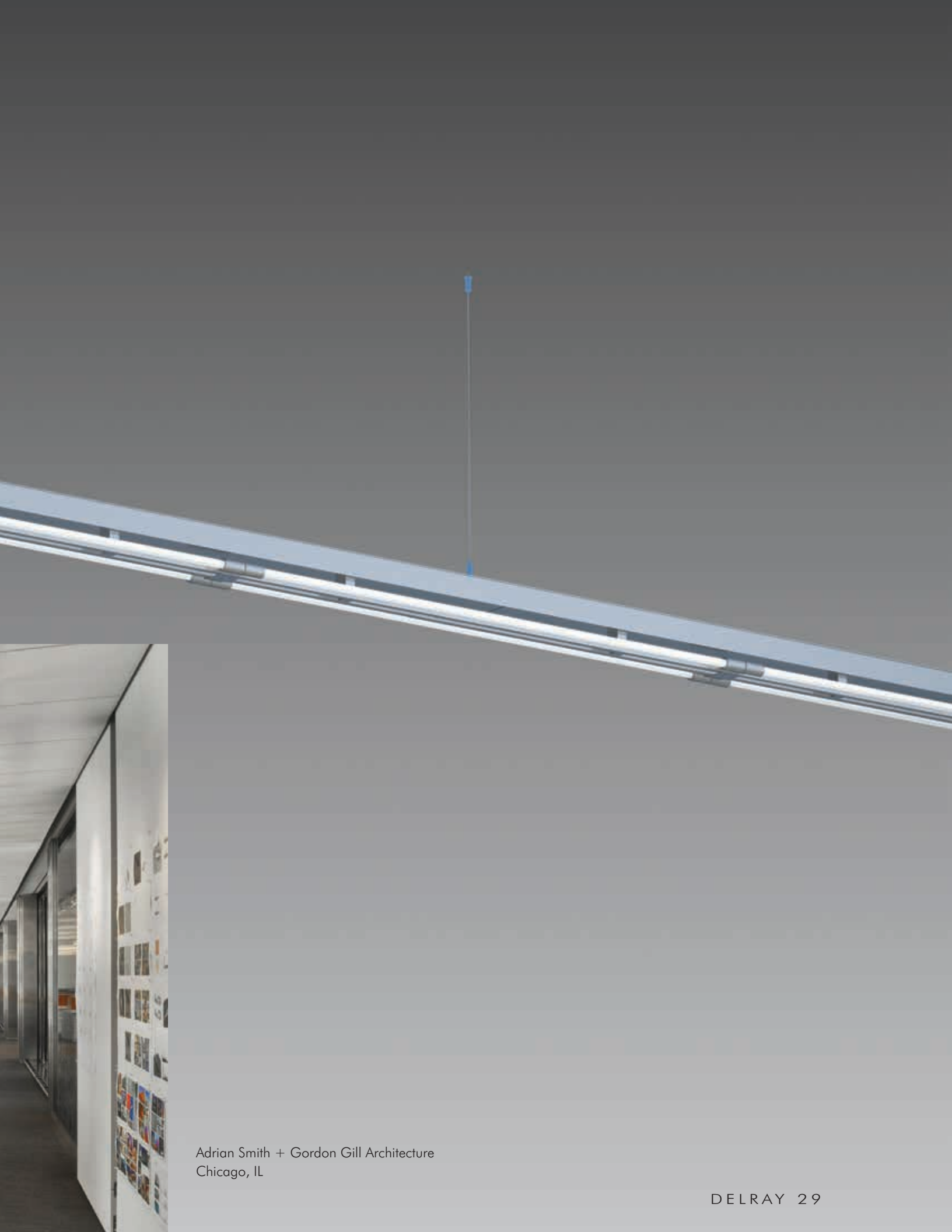
## Swing double connector

Cat. #	Type
SDC	Connects fixtures for continuous runs.

See page 14 for rail components

**SW7** Swing  
rail mount  
double surface



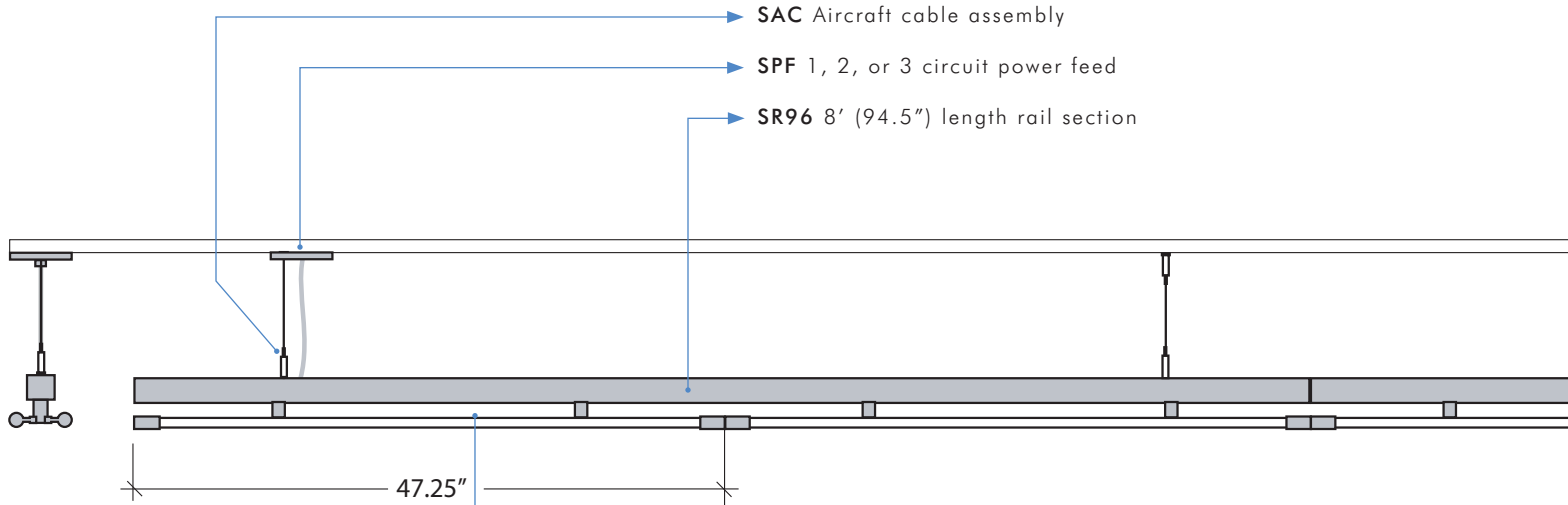


Adrian Smith + Gordon Gill Architecture  
Chicago, IL

Swing double surface may be ordered as a stand-alone fixture or for continuous runs. Rail may be surface mounted and fed directly with conduit or the rail can be suspended with optional aircraft cables and power feed. There are no suspension length limitations for dimming or emergency ballasts.

Example of nominal 20' run

**Rail options** (see page 14)



**Order Info**

**4' double surface**

Cat.#	Length	Watt
Stand alone fixture		
SW54228	4'	2-28
SW54254	4'	2-54

4' section, rail ordered separately, to build continuous runs.

SW74228	4'	2-28
SW74254	4'	2-54

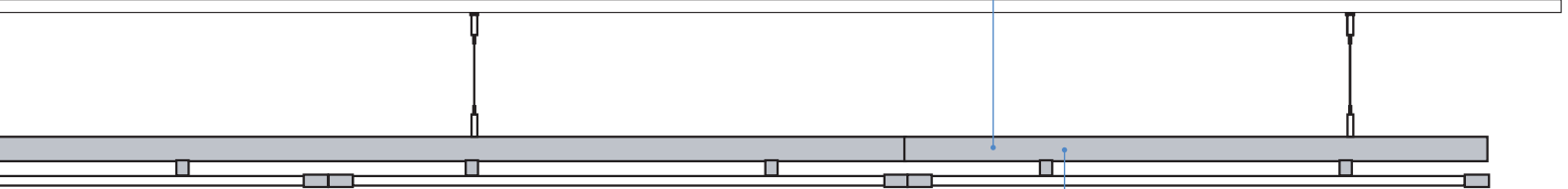
See pages 2-5 for available diffusers

## How to build fixture number

**SW74228** - **411** - **277** - **SD3**  
 Swing#                  diffuser                  voltage                  option

### Dimming features

Integrated ballast will work regardless of suspension length. 2 lamp ballasts are standard. Ideal for Lutron Eco System, as all control wires are self contained in the rail.



### SW7 Options

→ **Dimming Ballasts** Voltage must be specified.

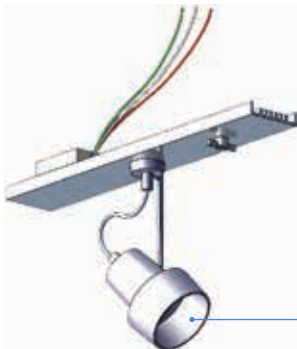
Cat. #	Type	Watt
SD3	Advance Mark X	54
SD5	Advance Mark VII	28, 54
SD8	Lutron Hi Lume FDB	28, 54
SD9	Lutron Eco System	28, 54
SD10	Stepped dim 50% for 2x28W only	2x28

→ **Emergency Backup** Voltage must be specified.

Cat. #	Type	Watt
SEM	825 lumens	28, 54

### Spotlight Sections

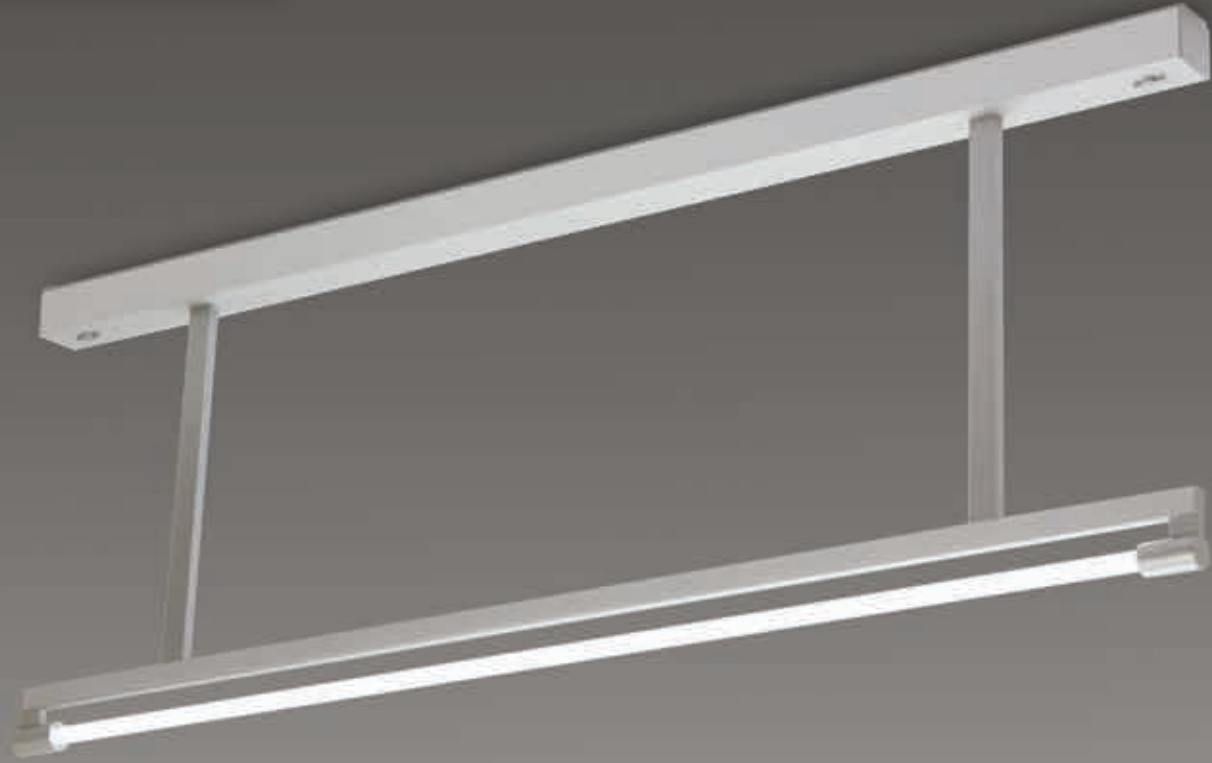
Cat. #	Description
SW1MR	300mm cover section, 1 adjustable MR16 spotlight
SW2MR	600mm cover section, 2 adjustable MR16 spotlights
SW3MR	900mm cover section, 3 adjustable MR16 spotlights
SW1MRLED	300mm cover section, 1 adjustable LED MR16 spotlight
SW2MRLED	600mm cover section, 2 adjustable LED MR16 spotlights
SW3MRLED	900mm cover section, 3 adjustable LED MR16 spotlights



See page 14 for rail components

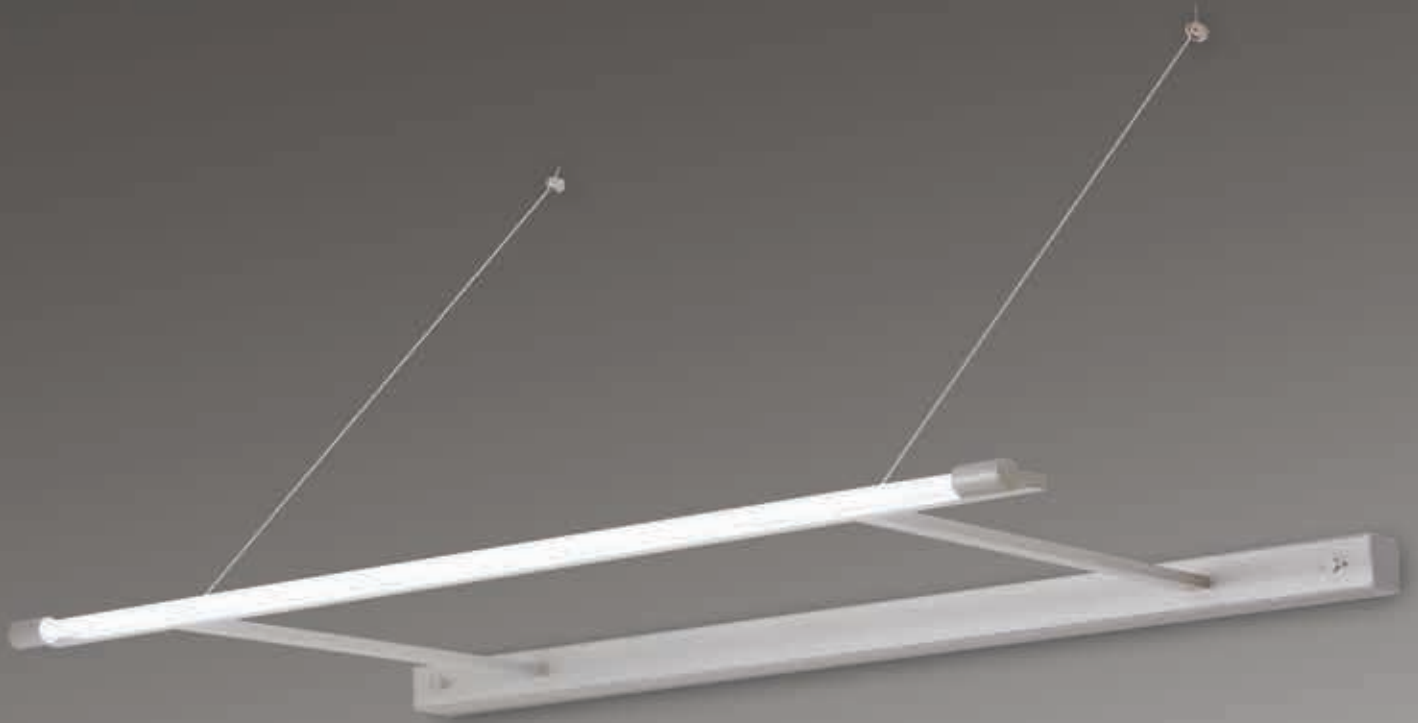
**ST8**

Stand-alone  
stem mount  
single lamp



**ST9**

Stand-alone  
cantilever  
single lamp

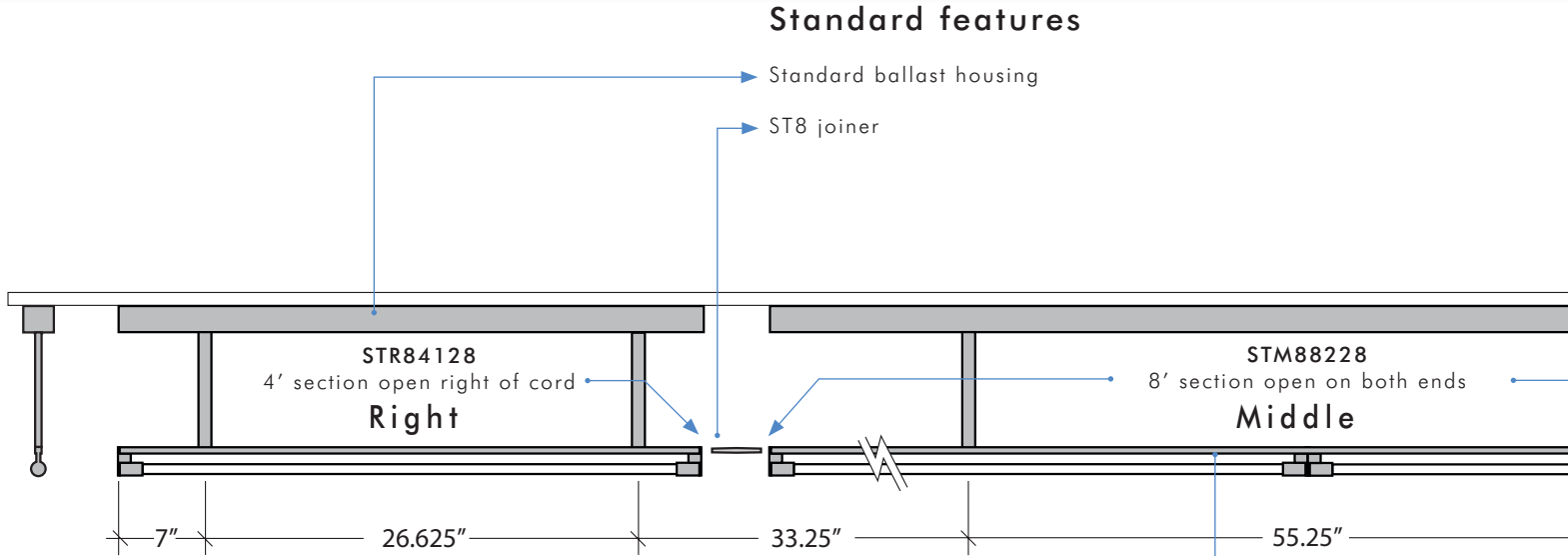


# ST8

Stand-alone stem mount single lamp

Stick ST8 is a ceiling mount fixture that may be installed stand-alone or connected in continuous runs. Projections are available in standard lengths of 6, 12, 18, and 24 inches, as well as custom lengths (specify), with a maximum length of 48 inches.

## Example of nominal 20' run



### Standard features

Standard ballast housing

ST8 joiner

STR84128  
4' section open right of cord  
Right

STM88228  
8' section open on both ends  
Middle

7" 26.625" 33.25" 55.25"

## Order Info

### 4' ST8 stem mount

Cat. #	Length	Watt
ST84128	4'	1-28
ST84154	4'	1-54

#### Right

Connects right side

STR84128	4'	1-28
STR84154	4'	1-54

#### Middle

Connects both sides

STM84128	4'	1-28
STM84154	4'	1-54

#### Left

Connects left side

STL84128	4'	1-28
STL84154	4'	1-54

### 8' ST8 stem mount

Cat. #	Length	Watt
ST88228	8'	2-28
ST88254	8'	2-54

#### Right

Connects right side

STR88228	8'	2-28
STR88254	8'	2-54

#### Middle

Connects both sides

STM88228	8'	2-28
STM88254	8'	2-54

#### Left

Connects left side

STL88228	8'	2-28
STL88254	8'	2-54

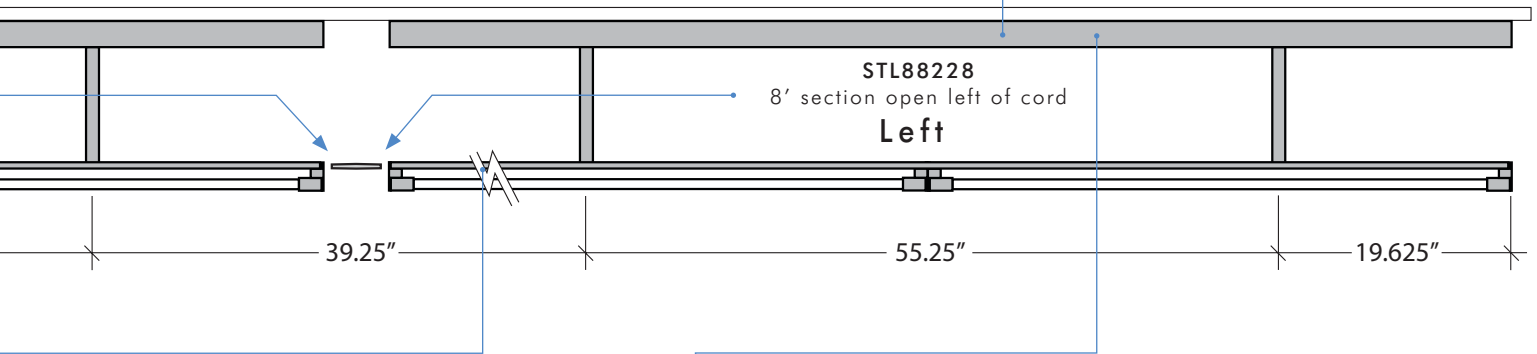
See pages 2-5 for available diffusers

## How to build fixture number

**ST84128** - **411** - **277** - **SRB8R**  
 Stick#                      diffuser                      voltage                      option

### Dimming features

Due to lamp lead length limitations for dimming ballasts, all fixtures with two lamps require two ballasts. The maximum projection length is 3 feet.



### ST8 Options

**Dimming Ballasts** Voltage must be specified. Maximum 3' projection length.

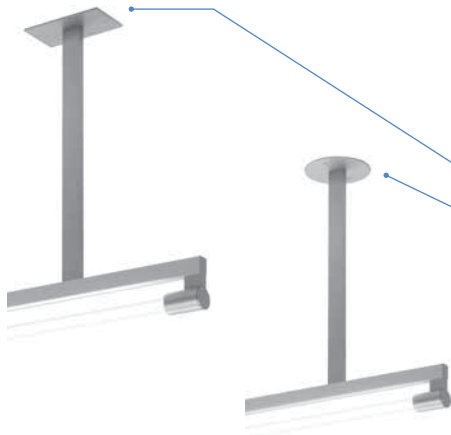
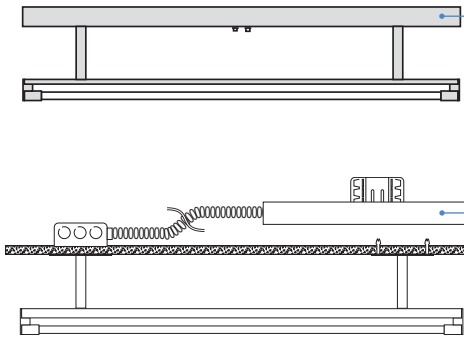
Cat. #	Type	Watt
SD3	Advance Mark X	54
SD5	Advance Mark VII	28, 54
SD8	Lutron Hi Lume FDB	28, 54
SD9	Lutron Eco System	28, 54
SD10	Stepped dim 50% for 2x28W only	2x28

**Emergency Backup** Voltage must be specified. Maximum 4' projection length.

Cat. #	Type	Watt
SEM	650 lumens for 90 minutes	28, 54

**Recessed Ballasts** For drop ceilings only. Dimming not available.

Cat. #	Type
SRB8S	2"x4" rectangular cover plates
SRB8R	4" round cover plates



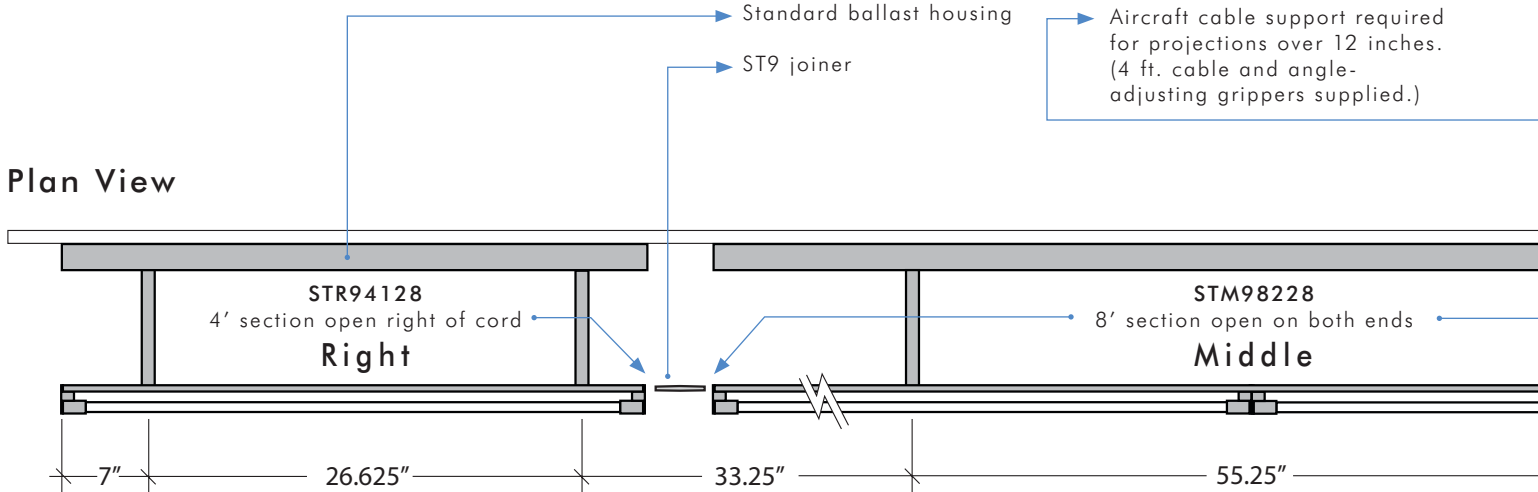
# ST9

Stand-alone  
cantilever  
single lamp

Stick ST9 is a wall mount cantilevered fixture that may be installed stand-alone or connected in continuous runs. Projections are available in standard lengths of 6, 12, 18, and 24 inches, as well as custom lengths (specify), with a maximum length of 48 inches.

## Example of nominal 20' run

### Standard features



## Order Info

### 3' ST9 cantilever

Cat. #	Length	Watt
Stand alone fixture		
ST93121	3'	1-21
ST93139	3'	1-39

#### Right

Connects right side

STR93121	3'	1-21
STR93139	3'	1-39

#### Middle

Connects both sides

STM93121	3'	1-21
STM93139	3'	1-39

#### Left

Connects left side

STL93121	3'	1-21
STL93139	3'	1-39

### 4'

Cat. #	Length	Watt
Stand alone fixture		
ST94128	4'	1-28
ST94154	4'	1-54

#### Right

Connects right side

STR94128	4'	1-28
STR94154	4'	1-54

#### Middle

Connects both sides

STM94128	4'	1-28
STM94154	4'	1-54

#### Left

Connects left side

STL94128	4'	1-28
STL94154	4'	1-54

### 6'

Cat. #	Length	Watt
Stand alone fixture		
ST96221	6'	2-21
ST96239	6'	2-39

#### Right

Connects right side

STR96221	6'	2-21
STR96239	6'	2-39

#### Middle

Connects both sides

STM96221	6'	2-21
STM96239	6'	2-39

#### Left

Connects left side

STL96221	6'	2-21
STL96239	6'	2-39

### 8'

Cat. #	Length	Watt
Stand alone fixture		
ST98228	8'	2-28
ST98254	8'	2-54

#### Right

Connects right side

STR98228	8'	2-28
STR98254	8'	2-54

#### Middle

Connects both sides

STM98228	8'	2-28
STM98254	8'	2-54

#### Left

Connects left side

STL98228	8'	2-28
STL98254	8'	2-54

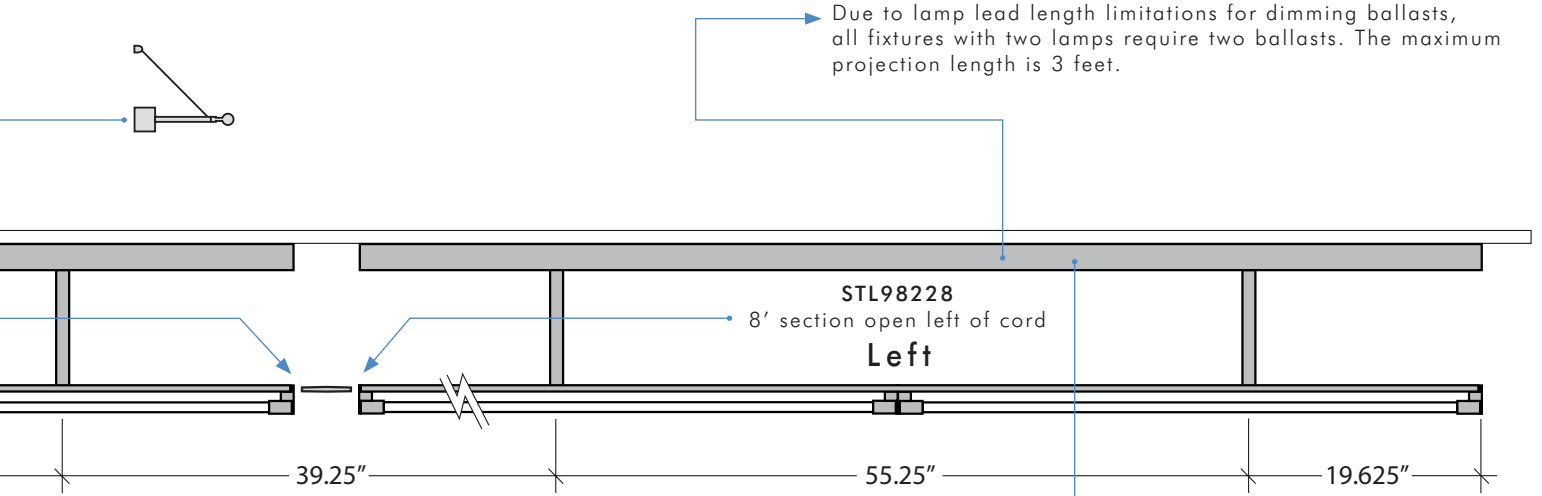
See pages 2-5 for available diffusers

## How to build fixture number

**ST94128** - **411** - **277** - **SRB9S**  
 Stick#                      diffuser                      voltage                      option

### Dimming features

Due to lamp lead length limitations for dimming ballasts, all fixtures with two lamps require two ballasts. The maximum projection length is 3 feet.



### ST9 Options

**Dimming Ballasts** Voltage must be specified. Maximum 3' projection length.

Cat. #	Type	Watt
SD3	Advance Mark X	54
SD5	Advance Mark VII	28, 54
SD8	Lutron Hi Lume FDB	28, 54
SD9	Lutron Eco System	28, 54
SD10	Stepped dim 50% for 2x28W only	2x28

**Emergency Backup** Voltage must be specified. Maximum 4' projection length.

Cat. #	Type	Watt
SEM	650 lumens for 90 minutes	28, 54

**Recessed Ballasts** For drop ceilings only. Dimming not available.

Cat. #	Type
SRB9S	2"x4" rectangular cover plates
SRB9R	4" round cover plates



Hanna Gabriel Wells, Bacon Street Offices  
 San Diego, CA  
 Photo: Kessler Photography

Diffusers .....2	SD dimming .....13	SR36.....14	Stick ST5 .....22	SW3MRLED .....15
DPB .....13	SDC .....26	SR48.....14	Stick ST6 .....18	SW200S .....9
S100P.....15	SE0.....15	SR60.....14	Stick ST7 .....22	SW200W .....9
SAC .....15	SE1.....15	SR72.....14	Stick ST8 .....34	SWRB.....13
SC06.....14	SE2.....15	SR96.....14	Stick ST9 .....36	Swing SW44 .....26
SC12.....14	SEM.....23	SRB8R.....35	STJA.....11	Swing SW54 .....8
SC24.....14	SEM13.....13	SRB8S.....35	STJR.....11	Swing SW64 .....26
SC36.....14	SFB.....13	SRB9R.....37	SW1MR .....15	Swing SW74 .....30
SC48.....14	SMB.....19	SRB9S.....37	SW2MR .....15	
SC60.....14	SPF4.....15	SRL.....14	SW3MR .....15	
SC72.....14	SPF5.....15	SRT .....14	SW1MRLED .....15	
SC96.....14	SR24.....14	Stick ST4 .....12	SW2MRLED .....15	