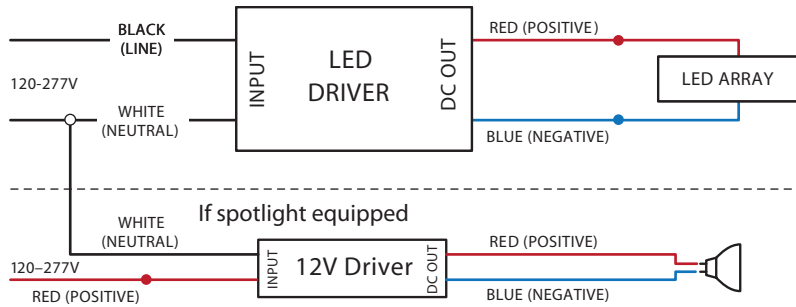
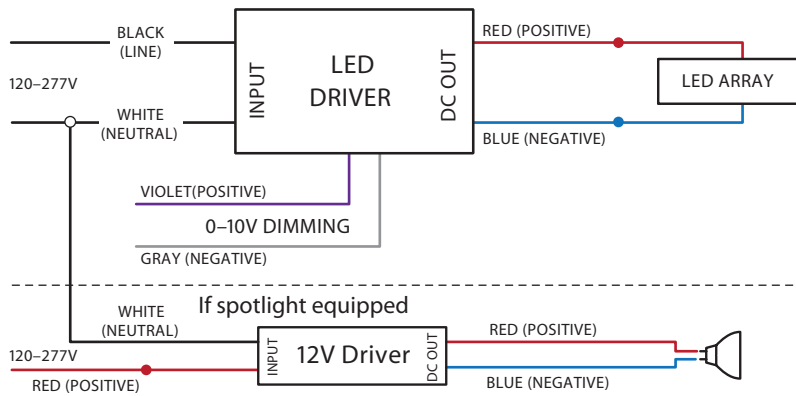


**WARNING:** Disconnect main power at the source prior to installation! Fixture must be installed by a qualified electrician.

### LED Driver Without Dimming



### LED Driver With Integrated Dimming



**NOTE:** When dimming, use low end trim pot, and adjust low end to above flicker threshold.

