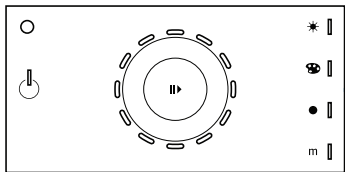


CYLINDRO 6501/6502

1 of 3: Traxon Control Wire Path Installation ou de montage

NOTE: data cable should not be run internally, next to — nor externally, parallel to — electrical conduit, as doing so may cause the fixture to malfunction.

Traxon DMX controller



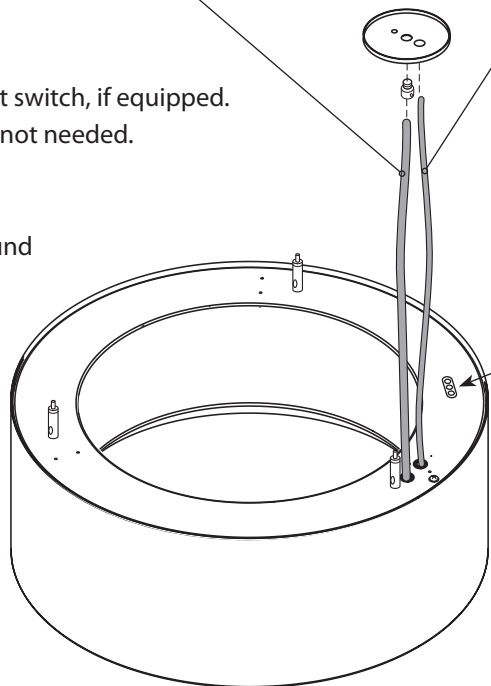
CAT5e or CAT6 cable,
568-B color code (by others)

7-Conductor Cord – DMX IN

- Black: Line Voltage
- White: Neutral
- Green: Ground
- Red: Downlight switch, if equipped.
Cap off, if not needed.
- Purple: DMX +
- Gray: DMX –
- Orange: DMX ground

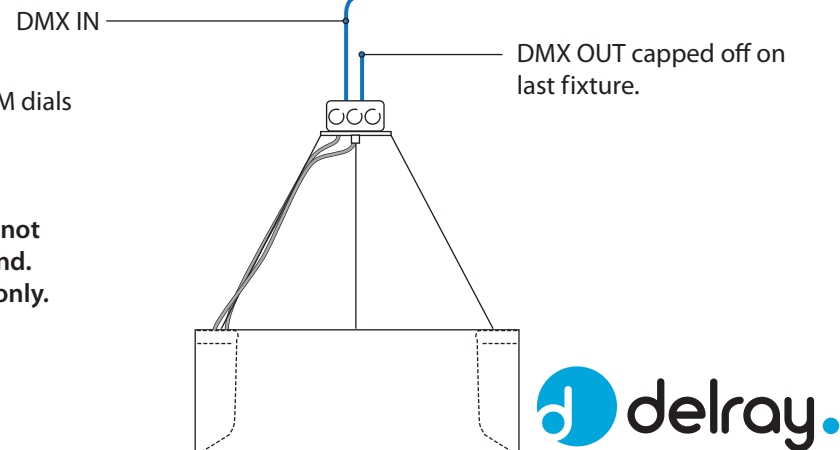
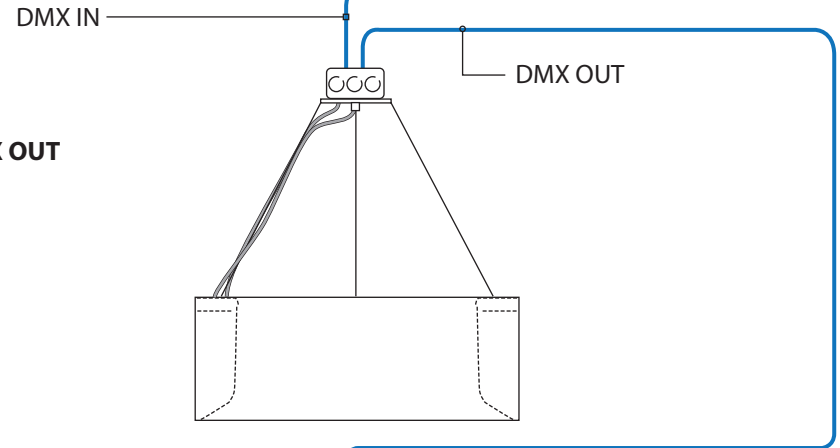
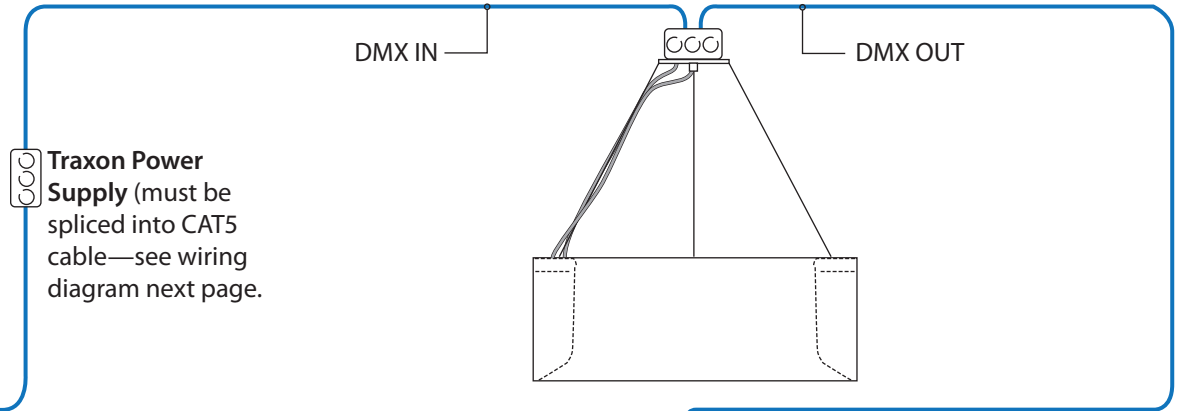
3-Conductor Cord – DMX OUT

- Black: DMX+
- White: DMX–
- Green: DMX Ground



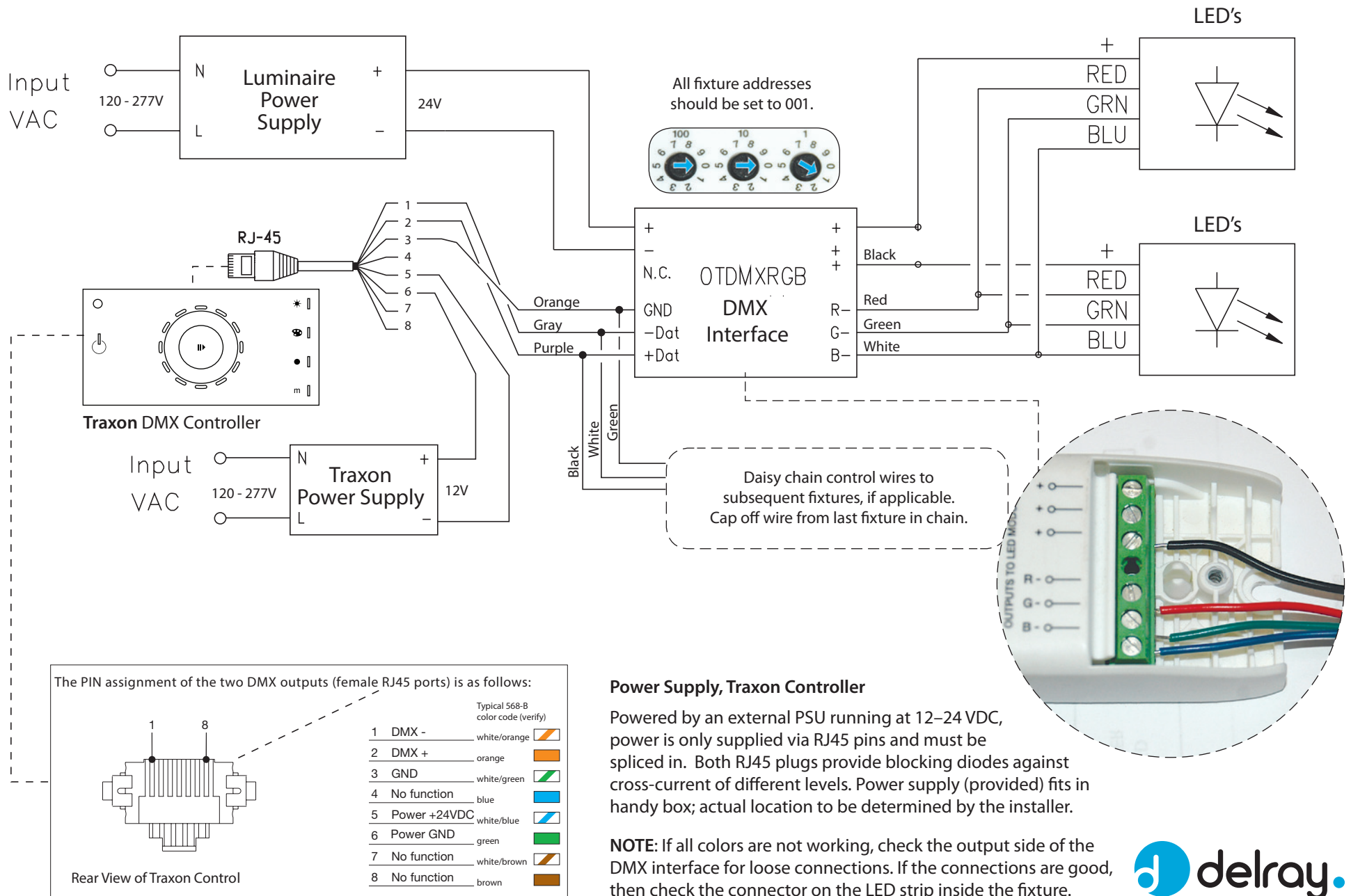
Set DMX address with PWM dials
to 001.

NOTE: DMX ground does not
connect to building ground.
Connect to DMX ground only.



CYLINDRO 6501/6502

2 of 3: Traxon RGB LED Wiring Installation ou de montage



Power Supply, Traxon Controller

Powered by an external PSU running at 12–24 VDC, power is only supplied via RJ45 pins and must be spliced in. Both RJ45 plugs provide blocking diodes against cross-current of different levels. Power supply (provided) fits in handy box; actual location to be determined by the installer.

NOTE: If all colors are not working, check the output side of the DMX interface for loose connections. If the connections are good, then check the connector on the LED strip inside the fixture.

