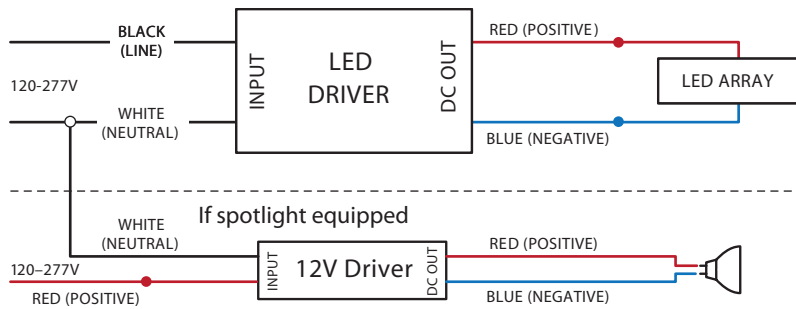


**WARNING:** Disconnect main power at the source prior to installation! Fixture must be installed by a qualified electrician.

### LED Driver Without Dimming



### LED Driver With Integrated Dimming

