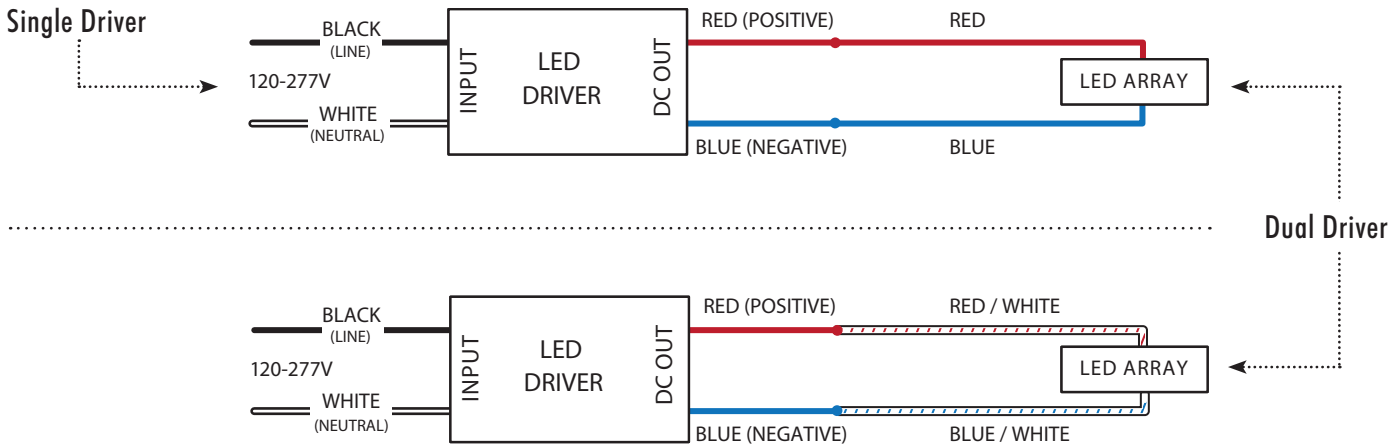
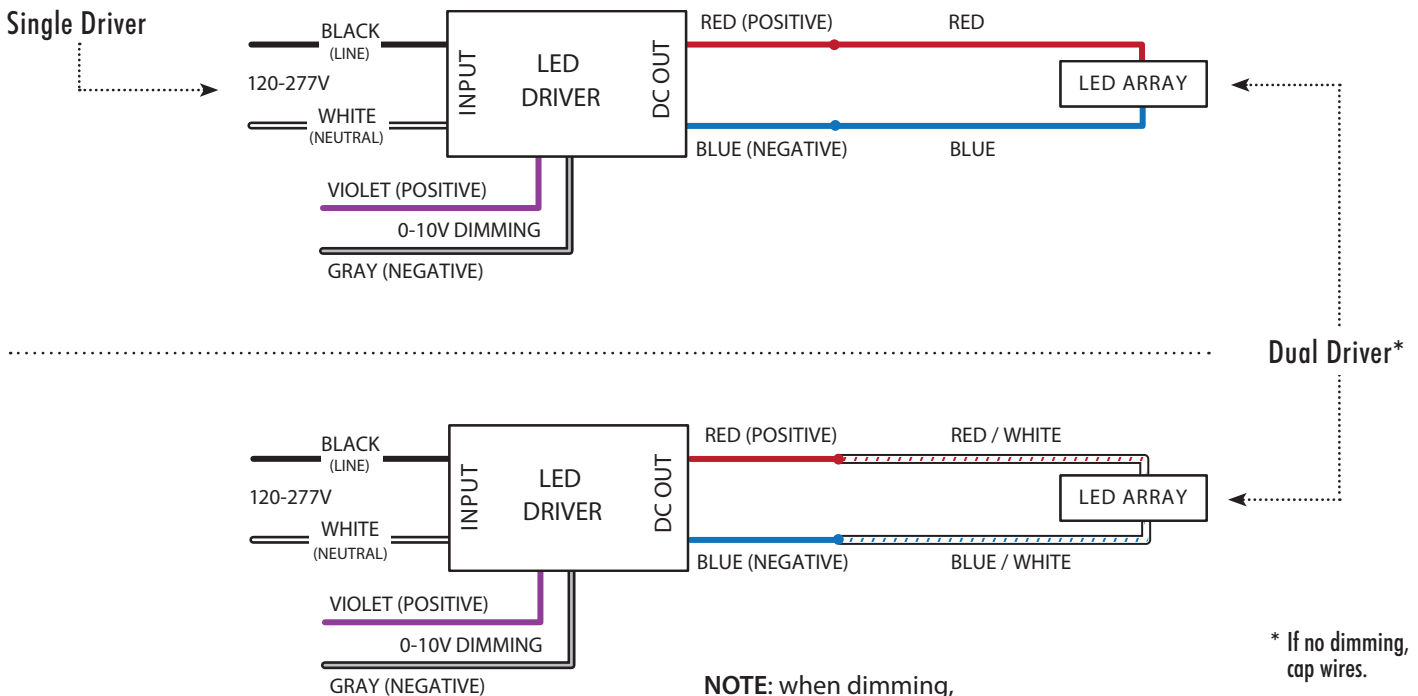


No Dimming



NOTE: Load is split between two drivers, the lamp cord four conductors; red, black, white, and green.

With Integrated Dimming



NOTE: when dimming, use low end trim pot, and adjust low end to above flicker threshold.

* If no dimming, cap wires.

WARNING: Disconnect main power at the source prior to installation! Fixture must be installed by a qualified electrician.