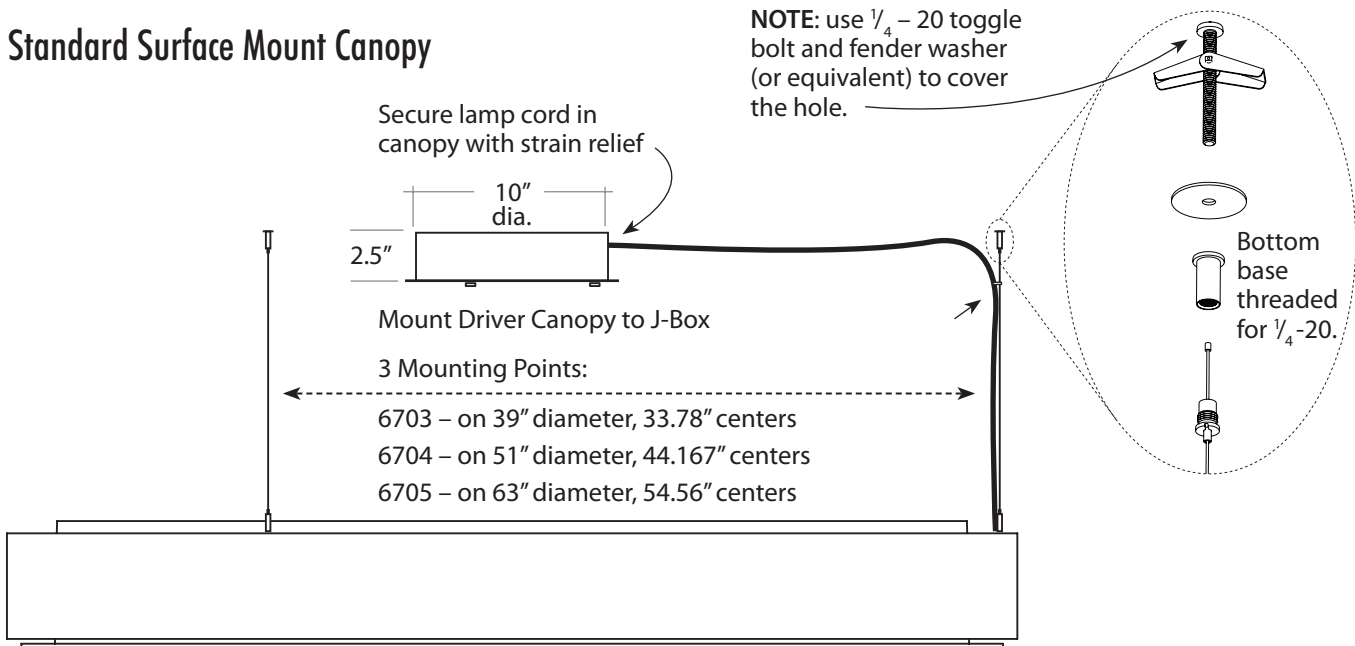


WARNING: disconnect main power at the source prior to installation! *Only qualified electricians should install Delray Lighting products.*

Standard Surface Mount Canopy



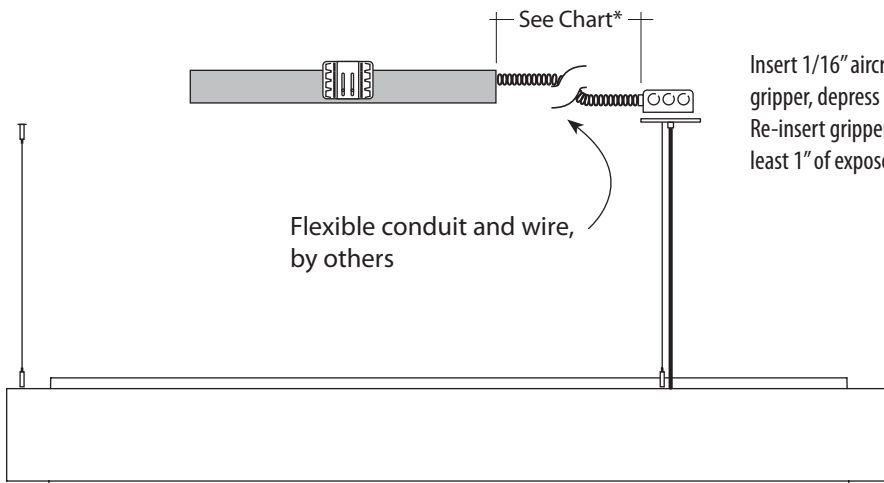
SLRD Option Remote Driver

Remote driver housing must remain accessible. Use bar hangers to mount in ceiling.

*Max. Wiring Distance (at full load)

Wire Size (AWG)	Distance (ft.)
18	18
16	29
14	46
12	71
10	120

NOTE: multiple drivers must be mounted no less than 4 inches apart side-by-side, and 1 inch apart end-to-end, to avoid overheating.



Attach backplate to 3 in. mud ring (by others).

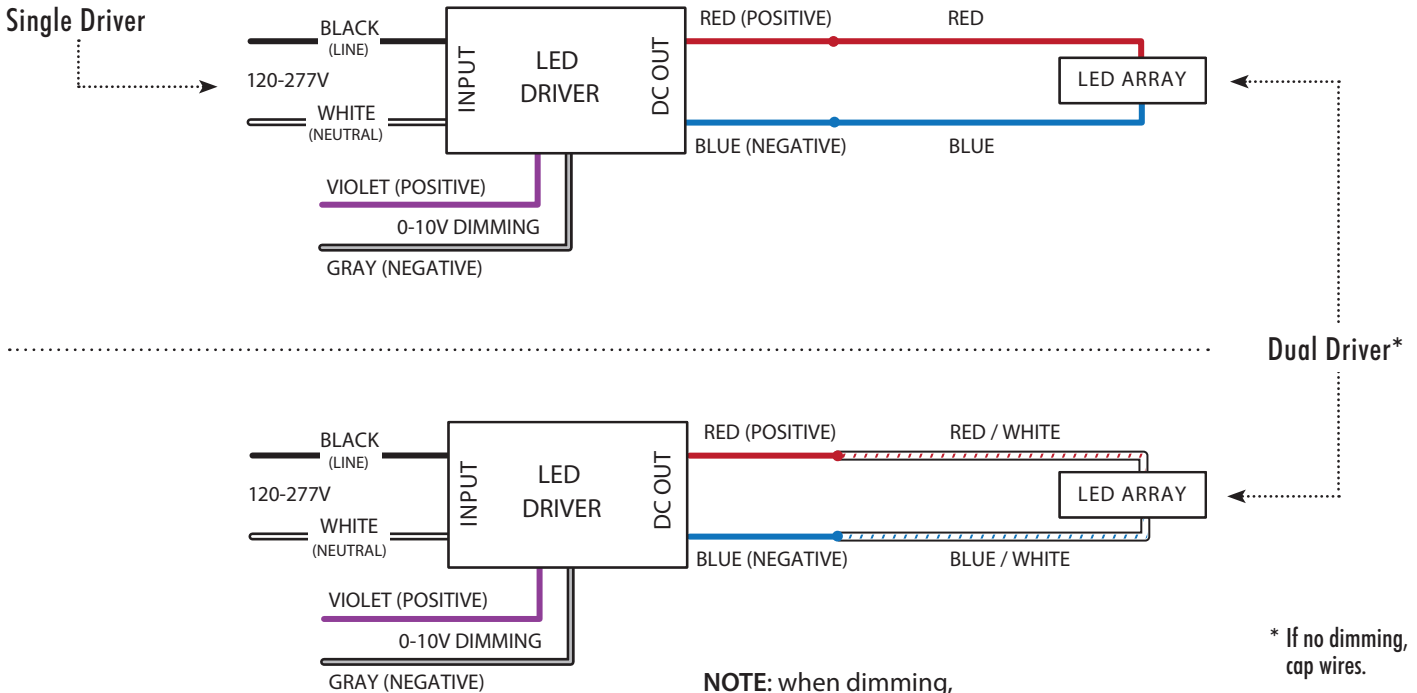
Attach canopy to backplate with AC cable gripper base.

Make connections in J-box to remote driver.

NOTE: Connection of lamp cord directly to line voltage voids warranty.

Feed lamp cord through threaded nipple and backplate. Use O-rings provided to tether lamp cord along aircraft cable.

With Integrated Dimming



NOTE: when dimming, use low end trim pot, and adjust low end to above flicker threshold.

WARNING: Disconnect main power at the source prior to installation! Only qualified electricians should install Delray Lighting products.

- Read instructions and review diagrams prior to installation.
- Before beginning installation, turn off circuit breaker or remove fuse at fuse box to disconnect power. Turning off a light switch is insufficient to prevent electrical shock.
- All electrical connections must be in compliance with local codes, ordinances and the National Electrical Code. If you are unfamiliar with these methods of electrical wiring installation, secure the services of a qualified, licensed electrician.

NOTE: These instructions cannot address all possible conditions and circumstance that may occur during installation. While Delray products conform to the highest quality and safety standards, safe installation also requires caution, common sense, and careful implementation of professional electrical installation methods.

Carefully follow driver wiring diagrams and instructions included with the fixture. Use only cUL listed wire connectors suitable for the size, type, and number of conductors. No loose wires or wire strands should be remain.

Secure wire connectors with only cUL Listed electrical tape and wire nuts.