

Kone3 KLS34

large clear glass LED semi-recessed downlight



CONSTRUCTION

- Pre-coated galvanized steel mounting frame and J-box.
- Telescopic bar hangers supplied, which provide for off-center mount to joists or T-bar.
- Ground wire included (pre-wired).
- Hand blown clear glass outer shade with opal glass inner downlight.
- Standard drivers are constant current, universal voltage, with 0–10V dimming to 1%.
- cUL listed for dry locations.

TYPE:	PROJECT:
ORDER NUMBER:	

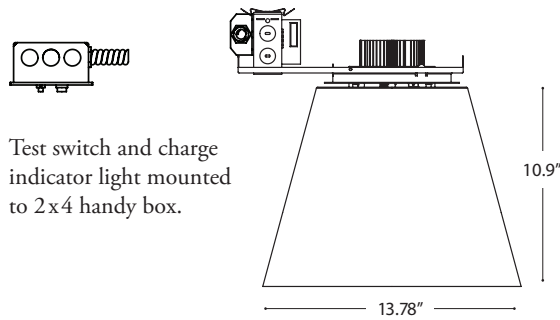
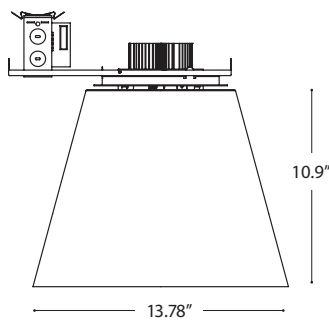
MODEL#	LUMENS	LEDS	DIMMING	OPTIONS	VOLTAGE*
KLS34	2-2000 3-3000	W30 W35 W40	D -Standard D11 DA -DALI	EM -Emergency	120 277 347
Example:					
KLS34	3	W35	D	EM	

* Voltage must be specified.

KLS342 LED
2,000 lumens

KLS343 LED
3,000 lumens

EM
Emergency Battery Pack



Kone3 KLS34

large clear glass LED semi-recessed downlight



WHITE LEDS

LED modules feature opal diffuser that provide the appearance on an A-lamp from below. 90 CRI. Specify color: **W30**–3000° Kelvin, **W35**–3500°, or **W40**–4000° Kelvin.

cUL rated for dry locations only.

DIMMING

- **D**–standard supplied driver. 0–10V, programmable, 1% dimming, 120/277V, 50/60 Hz.
- **BDIM-W11**–Lutron EcoSystem LED14 Series, 1% dimming, fade-to-off.
- **DA**–DALI, 1% dimming, fade-to-off. 120/277V, 50/60 Hz.

WATTS / LUMENS

MODEL	WATTS	DELIVERED LUMENS	CRI	R9
KLS342	22	2,000	92	72
KLS343	33	3,000	92	72

EMERGENCY

Battery pack provides 10W for 90 mins. Red light and test switch mounts in ceiling, in single gang J-box. Order **EM**.