

# Kone3 KLS33

large opal glass LED semi-recessed downlight



## CONSTRUCTION

- Pre-coated galvanized steel mounting frame and J-box.
- Telescopic bar hangers supplied, which provide for off-center mount to joists or T-bar.
- Ground wire included (pre-wired).
- Hand blown opal glass shade.
- Standard drivers are constant current, universal voltage, with 0–10V dimming to 1%.
- cUL listed for dry locations.

<b>TYPE:</b>	<b>PROJECT:</b>
<b>ORDER NUMBER:</b>	

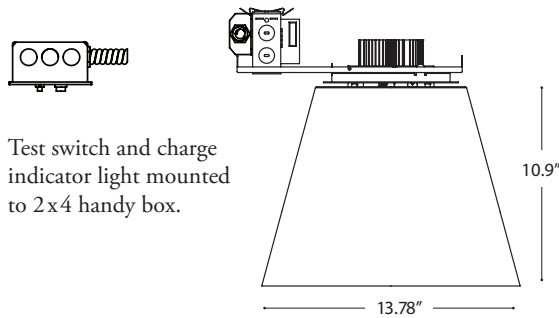
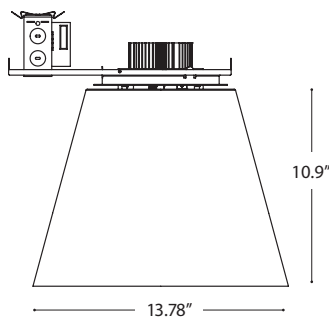
MODEL#	LUMENS	LEDS	DIMMING	OPTIONS	VOLTAGE*
<b>KLS33</b>	2-2000 3-3000	W30 W35 W40	D-Standard D11 DA-DALI	EM-Emergency	120 277 347
Example:					
<b>KLS33</b>	<b>3</b>	<b>W35</b>	<b>D</b>	<b>EM</b>	

\* Voltage must be specified.

**KLS332 LED**  
2,000 lumens

**KLS333 LED**  
3,000 lumens

**EM**  
Emergency Battery Pack



# Kone3 KLS33

large opal glass LED semi-recessed downlight



## WHITE LEDS

LED modules feature opal diffuser that provide the appearance on an A-lamp from below. 90 CRI. Specify color: **W30**–3000° Kelvin, **W35**–3500°, or **W40**–4000° Kelvin.

cUL rated for dry locations only.

## DIMMING

- **D**—standard supplied driver. 0–10V, programmable, 1% dimming, 120/277V, 50/60 Hz.
- **BDIM-W11**—Lutron EcoSystem LED14 Series, 1% dimming, fade-to-off.
- **DA**—DALI, 1% dimming, fade-to-off. 120/277V, 50/60 Hz.

## WATTS / LUMENS

MODEL	WATTS	DELIVERED LUMENS	CRI	R9
KLS332	22	2,000	92	72
KLS333	33	3,000	92	72

## EMERGENCY

Battery pack provides 10W for 90 mins. Red light and test switch mounts in ceiling, in single gang J-box. Order **EM**.