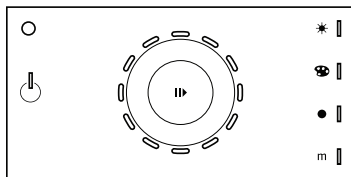


6300-4" & 6" LED

Traxon Control Wire Path Installation ou de montage

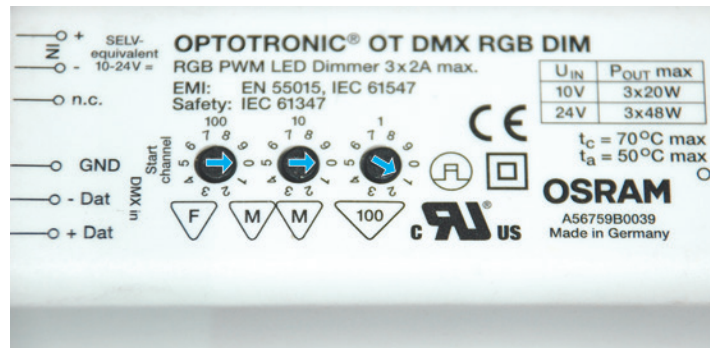
NOTE: data cable should not be run internally, next to — nor externally, parallel to — electrical conduit, as doing so may cause the fixture to malfunction.

Traxon DMX controller



CAT5e or CAT6 cable, 568-B color code (by others)

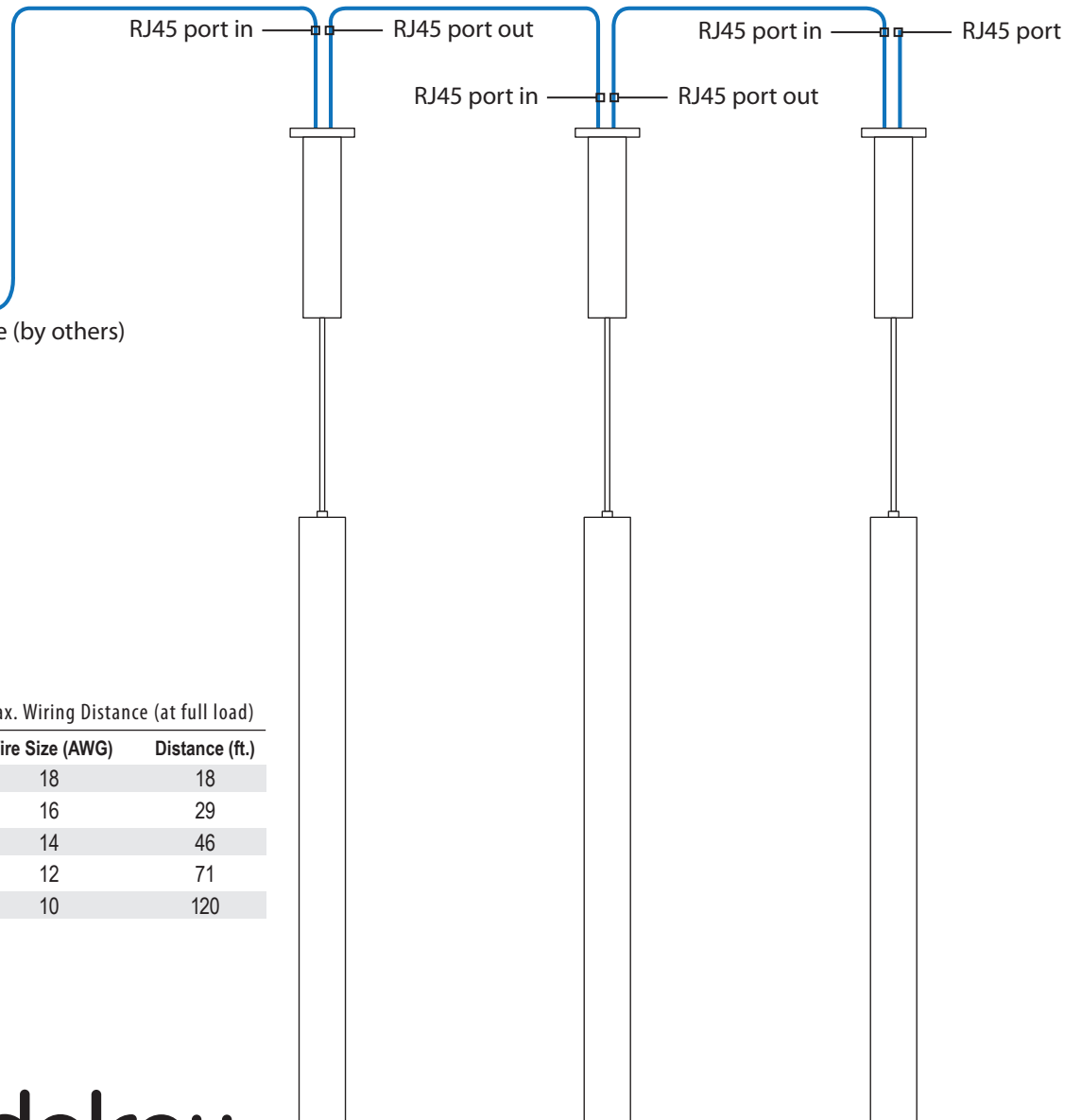
4 in. & 6 in. 6300 tube fixtures are prewired to accept CAT5e cable. Up to 31 fixtures may be controlled in a single zone. The control wire (CAT5e cable) must daisy chain to each driver housing for proper control.



*Max. Wiring Distance (at full load)

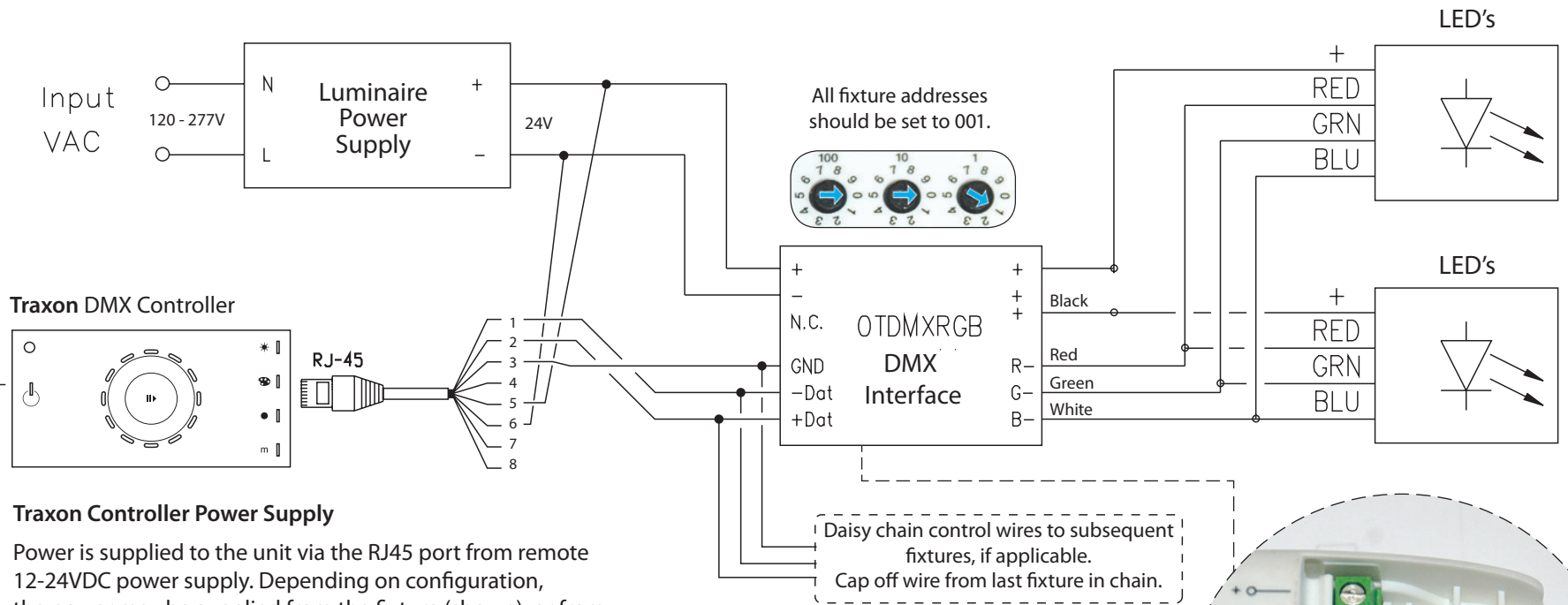
Wire Size (AWG)	Distance (ft.)
18	18
16	29
14	46
12	71
10	120

For proper operation, confirm that the interface PWM dials remain on the factory preset of channel 1 (001) on all control interfaces, and in all fixture driver housings connected to the Traxon controller. (Standard housing shown.)



6300-4" & 6" LED

Traxon RGB LED Wiring Installation ou de montage



Traxon Controller Power Supply

Power is supplied to the unit via the RJ45 port from remote 12-24VDC power supply. Depending on configuration, the power may be supplied from the fixture (shown), or from a separate, dedicated power supply. If the fixture supplies power for the controller, that fixture will be labeled and should be mounted first in the chain.

The PIN assignment of the two DMX outputs (female RJ45 ports) is as follows:

Pin	Function	Color
1	DMX -	white/orange
2	DMX +	orange
3	GND	white/green
4	Power GND	blue
5	Power +12VDC	white/blue
6	No function	green
7	No function	white/brown
8	No function	brown

Typical 568-B color code (verify)

Rear View of Traxon Control

NOTE: If all colors are not working, check the output side of the DMX interface for loose connections. If the connections are good, then check the connector on the LED strip inside the fixture.

