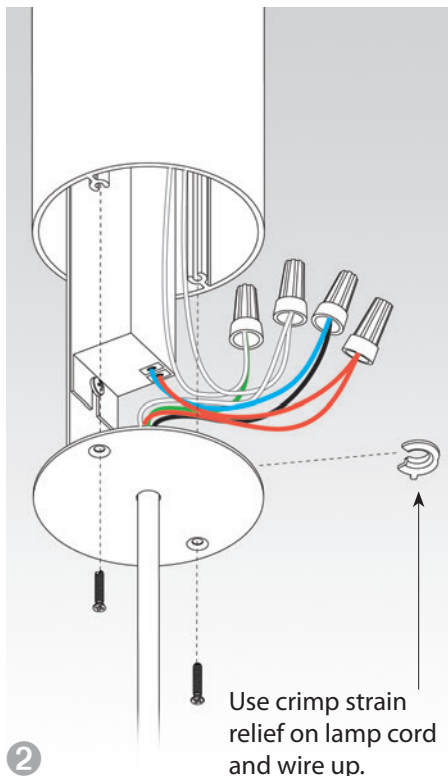
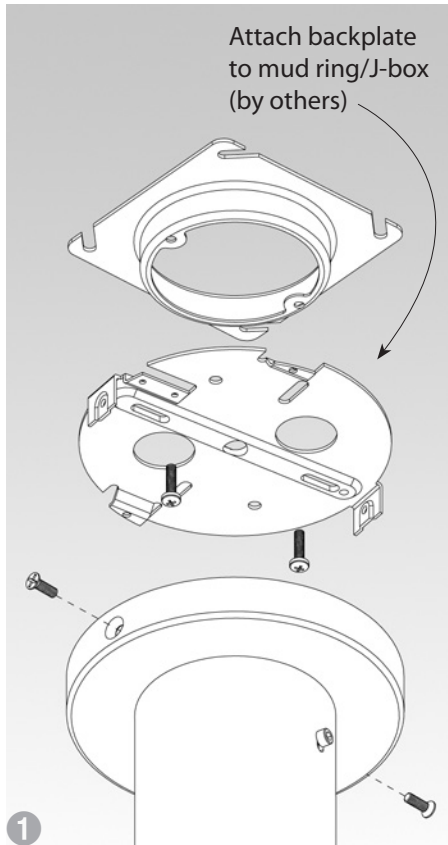


6300-4" & 6" LED

Standard Pendant Installation ou de montage

WARNING:

Disconnect main power at the source prior to installation! Fixture must be installed by a qualified electrician.



WIRING

PRIMARY SIDE

No downlight:

Black = Hot
White = Neutral
Green = Ground

With downlight*:

Black = Hot
White = Neutral
Red = DL** Hot
Green = Ground

0-10V dimming:

Purple = 10V+
Gray = 10V-

PRIMARY SIDE, DMX ONLY

No downlight:

Black = Hot
White = Neutral
Green = Ground
Purple = DMX+
Gray = DMX-
Orange = DMX ground

With downlight*:

Black = Hot
White = Neutral
Red = DL** Hot
Green = Ground
Purple = DMX+
Gray = DMX-
Orange = DMX ground

SECONDARY SIDE

No downlight:

| | |
|-------------|---------------|
| Cord | Driver |
| Red = DC+ | |
| Black = DC- | |
| White = N/A | |
| Green = N/A | |

With downlight*:

| | |
|--------------|---------------|
| Cord | Driver |
| Red = DC+ | |
| Black = DC- | |
| White = 12V+ | |
| Green = 12V- | |

SECONDARY SIDE, RGB ONLY

No downlight:

| | |
|---------------|---------------|
| Cord | Driver |
| Red = Red | |
| Black = Black | |
| White = White | |
| Green = Green | |

With downlight*:

| | |
|-----------------|---------------|
| Cord | Driver |
| Red = Red | |
| Black = Black | |
| White = White | |
| Green = Green | |
| Purple = Purple | |
| Gray = Gray | |
| Orange = N/A | |

NOTE: multiple drivers must be mounted no less than 4 inches apart side-by-side, and 1 inch apart end-to-end, to avoid overheating.

Max. Wiring Distance (at full load)

| Wire Size (AWG) | Distance (ft.) |
|-----------------|----------------|
| 18 | 18 |
| 16 | 29 |
| 14 | 46 |
| 12 | 71 |
| 10 | 120 |

*Use 12V LED MR16 only, 9W maximum

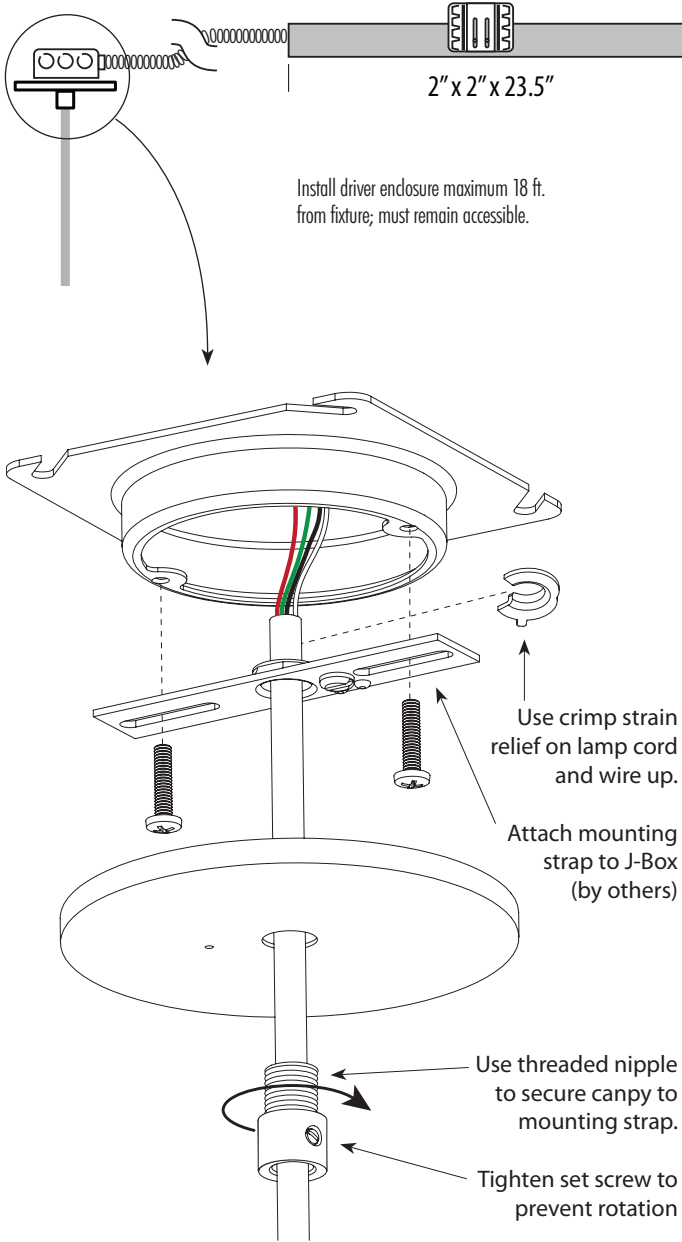
**DL = Downlight

6300-4" & 6" LED

Remote Driver Install Installation ou de montage

WARNING:

Disconnect main power at the source prior to installation! Fixture must be installed by a qualified electrician.



WIRING

PRIMARY SIDE

No dimmable:

Black = Hot
White = Neutral
Green = Ground

With dimmable*:

Black = Hot
White = Neutral
Red = DL** Hot
Green = Ground

0-10V dimming:

Purple = 10V+
Gray = 10V-

SECONDARY SIDE

No dimmable:

| Cord | Driver |
|-------|--------|
| Red | = DC+ |
| Black | = DC- |
| White | = N/A |
| Green | = N/A |

With dimmable*:

| Cord | Driver |
|-------|--------|
| Red | = DC+ |
| Black | = DC- |
| White | = 12V+ |
| Green | = 12V- |

*Use 12V LED MR16 only, 9W maximum

**DL = Downlight

PRIMARY SIDE, DMX ONLY

No dimmable:

Black = Hot
White = Neutral
Green = Ground
Purple = DMX+
Gray = DMX-
Orange = DMX ground

With dimmable*:

Black = Hot
White = Neutral
Red = DL** Hot
Green = Ground
Purple = DMX+
Gray = DMX-
Orange = DMX ground

SECONDARY SIDE, RGB ONLY

No dimmable:

| Cord | Driver |
|-------|---------|
| Red | = Red |
| Black | = Black |
| White | = White |
| Green | = Green |

With dimmable*:

| Cord | Driver |
|--------|----------|
| Red | = Red |
| Black | = Black |
| White | = White |
| Green | = Green |
| Purple | = Purple |
| Gray | = Gray |
| Orange | = N/A |

NOTE: multiple drivers must be mounted no less than 4 inches apart side-by-side, and 1 inch apart end-to-end, to avoid overheating.

Max. Wiring Distance (at full load)

| Wire Size (AWG) | Distance (ft.) |
|-----------------|----------------|
| 18 | 18 |
| 16 | 29 |
| 14 | 46 |
| 12 | 71 |
| 10 | 120 |

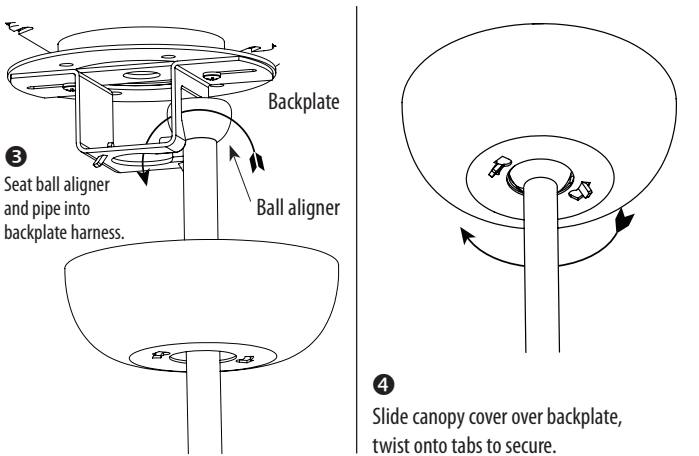
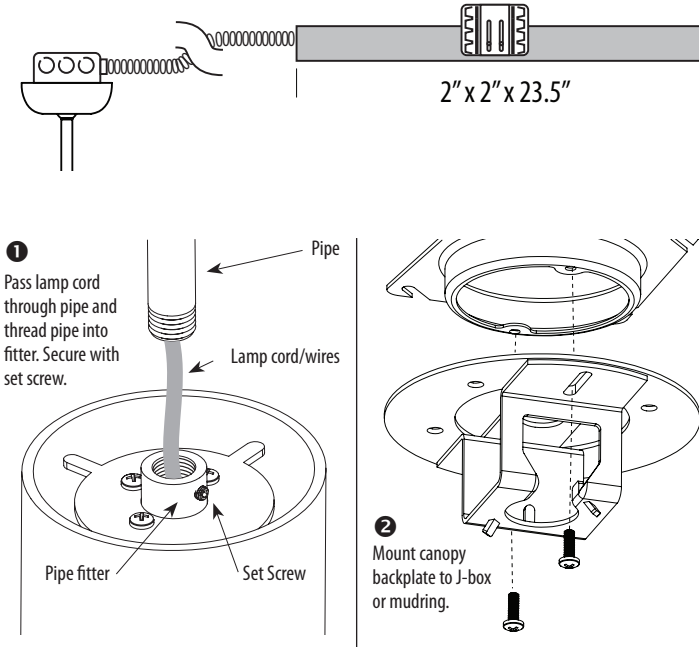
6300-4" & 6" LED

Remote Driver Install w/ Ball Aligner Installation ou de montage

WARNING:

Disconnect main power at the source prior to installation! Fixture must be installed by a qualified electrician.

WIRING



PRIMARY SIDE

No downlight:

Black = Hot
White = Neutral
Green = Ground

With downlight*:

Black = Hot
White = Neutral
Red = DL** Hot
Green = Ground

0-10V dimming:

Purple = 10V +
Gray = 10V -

PRIMARY SIDE, DMX ONLY

No downlight:

Black = Hot
White = Neutral
Green = Ground
Purple = DMX +
Gray = DMX -
Orange = DMX ground

With downlight*:

Black = Hot
White = Neutral
Red = DL** Hot
Green = Ground
Purple = DMX +
Gray = DMX -
Orange = DMX ground

SECONDARY SIDE

No downlight:

| Cord | Driver |
|-------|--------|
| Red | = DC + |
| Black | = DC - |
| White | = N/A |
| Green | = N/A |

With downlight*:

| Cord | Driver |
|-------|---------|
| Red | = DC + |
| Black | = DC - |
| White | = 12V + |
| Green | = 12V - |

*Use 12V LED MR16 only, 9W maximum

**DL = Downlight

SECONDARY SIDE, RGB ONLY

No downlight:

| Cord | Driver |
|-------|---------|
| Red | = Red |
| Black | = Black |
| White | = White |
| Green | = Green |

With downlight*:

| Cord | Driver |
|--------|----------|
| Red | = Red |
| Black | = Black |
| White | = White |
| Green | = Green |
| Purple | = Purple |
| Gray | = Gray |
| Orange | = N/A |

NOTE: multiple drivers must be mounted no less than 4 inches apart side-by-side, and 1 inch apart end-to-end, to avoid overheating.

Max. Wiring Distance (at full load)

| Wire Size (AWG) | Distance (ft.) |
|-----------------|----------------|
| 18 | 18 |
| 16 | 29 |
| 14 | 46 |
| 12 | 71 |
| 10 | 120 |

WARNING Risk of fire or electric shock. Only qualified, licensed electricians should install Delray Lighting products.

1. Read and review all instructions and diagrams prior to installation.
2. Disconnect power prior to installation. Turn off circuit breaker or remove fuse from fuse panel. (Turning off the light switch is insufficient to safeguard against electric shock.)
3. Electrical connections must conform to local codes and ordinances, or the National Electrical Code.

4. Wire the luminaire following the wiring diagram on the ballast, or inside the box. Use UL listed wire connectors suitable for the size, type, and number of conductors. No loose strands or wires should be present. Secure wire connectors with UL listed electrical tape and wire nuts.
5. Install lamps (not included). Do not exceed recommended wattage.
6. Restore electricity and test fixture.

NOTE: These safeguards and instructions are not intended to cover all possible conditions and circumstances. Proceed with caution; utilizing established professional electrical installation methods, tools, and supplies.