

# LED TUBE CLUSTER

## Install Instructions Installation ou de montage

**WARNING:** Disconnect main power at the source prior to installation! Fixture must be installed by a qualified electrician.

Attach canopy to octagonal box or mudring.

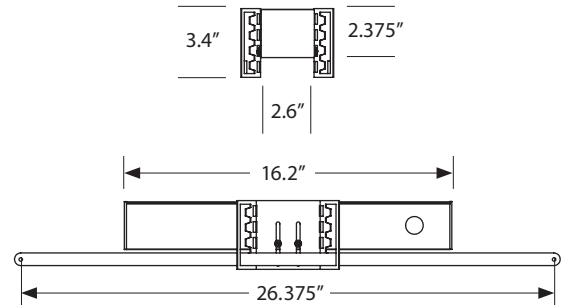
Use crimp strain relief provided to adjust tube height; remove excess cord. (All 3 tubes.)

Pass lamp cord for each tube through nipple.

Remote driver housings (3 each) shipped with bar hangers for mounting above suspended ceilings. Drivers must remain accessible after installation.

Driver housings must be mounted no less than 4 inches apart, to allow for air circulation.

Bar hangers and brackets may be removed for direct mount to structure with screws. Connect J-box to driver housing with conduit and wire by others.



Insert aircraft cables into grippers. Push in nozzle to adjust height of acrylic divider.

Trim excess cable. Leave 1 in. outside gripper exit after final adjustment.

Max. Wiring Distance (at full load)	
Wire Size (AWG)	Distance (ft.)
18	18
16	29
14	46
12	71
10	120

Pass aircraft cables through each of 3 holes in acrylic divider; cable stops at the bottom, below divider.

Insert ends of all 3 cables into grippers in canopy cover plate. (Details above, right.)

Use only 12V DC MR16 LED lamp in downlights.

### Secondary Side Wiring

2-Conductor Lamp Cord, Without Downlight:

- Red to 24V DC positive
- Blue to 24V DC negative

4-Conductor Lamp Cord, With Downlight:

- Red to 24V DC positive
- Black to 24V DC negative
- White to 12V DC positive
- Green to 12V DC negative

### Dimming

Purple and gray wires from driver to 0–10V dimmer. Cap if not used. Does not dim downlight.