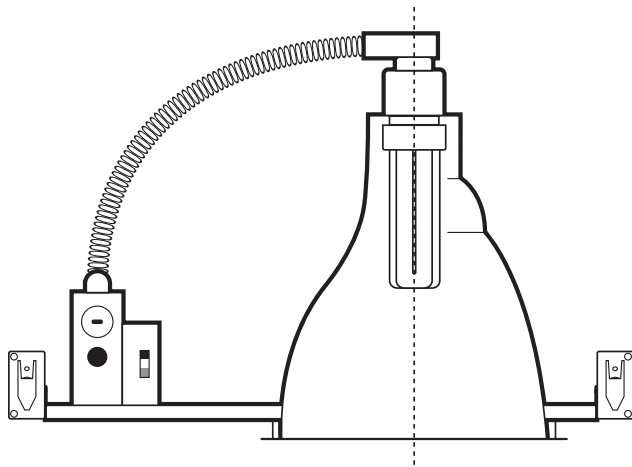


7.5" VERTICAL SINGLE LAMP DOWNLIGHT



Clear Alzak® Haze



Wheat Alzak® Haze



Black Baffle

SPECIFICATION INFORMATION

HOUSING ASSEMBLY

- Pre-coated galvanized steel mounting frame and J-box.
- Telescopic bar hangers supplied, provides for off-center mounting on joists or T-bar.
- .063 aluminum lampholder securely fastens to reflector, provides thermally efficient operation.
- Self flange type trim for clean, contemporary appearance.
- Ground wire included (prewired).

TWIST LOCK SOCKET

- Push lamp in and twist clockwise to lock into place.
- Lamp will not fall out.
- Relamp with pole (with Changer accessory).

REFLECTOR

- Thirty degree (30°) or forty degree (40°) cutoff.
- Anodized, haze, durable and anti-iridescent.
- Finishes: **A**—Clear Alzak® Haze, and **G**—Wheat Alzak® Haze.

BALLAST

- Standard in universal voltage 120V through 277V.
- Thermally protected rapid start electronic ballasts use 4-pin lamps
- .99 power factor with THD<10%.
- End of lamp life protection.

ELECTRICAL

- Allows 4-in/4-out #12 AWG conductors rated at minimum 90° C.
- J-box and ballast are both accessible through fixture.
- U.L. listed for use in damp locations.

ACCESSORIES

- **AL**—acrylic food service lens
- **B**—black baffle
- **CHANGER** for re-lamp cup
- **P**—trim flange painted white
- **CP**—Chicago plenum
- **OT7.5**—white oversize trim ring (adds 5/8" to flange)
- **FS**—inline fuse

DIMMING

- Voltage *must* be specified.
- Controls lumen output down to ±5%.
- Compatible dimmers required for all ballasts.
- **D5** Advance Mark VII for 32W lamp.
- **D8** Lutron Hi-Lume for 32W lamp. Controls lumen output down to ±1%.
- **D9** Lutron Eco System for 32W lamp.

EMERGENCY

- Voltage *must* be specified.
- **EM** emergency power provides 650 lumens for one lamp for 90 minutes
- **EM13** emergency power provides 1300 lumens for one lamp for 90 minutes

ORDERING INFORMATION

LAMP INFO

1-32 32W triple tube

120V ELECTRONIC

V7.5132.A30.1E 32W 30°

V7.5132.A40.1E 32W 40°

277V ELECTRONIC

V7.5132.A30.2E 32W 30°

V7.5132.A40.2E 32W 40°

SUBMITTAL INFORMATION

TYPE:

PROJECT:

NOTES:

DESCRIPTION:

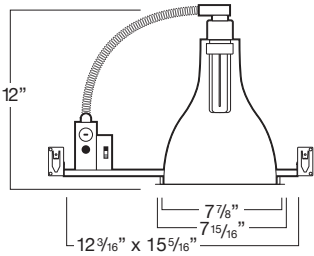
**DELRAY
LIGHTING
INCORPORATED**

V7.5132

BURBANK,
CALIFORNIA,
91505
WWW.
DELRAY
LIGHTING.
COM

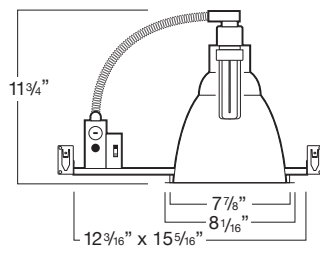
CLEAR ALZAK 30°

TV7.5132.A30



CLEAR ALZAK 40°

TV7.5132.A40



CONE OF LIGHT

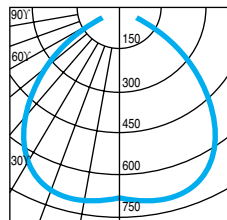
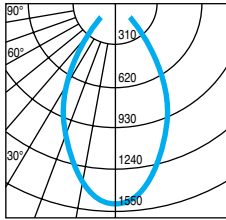
MTG. HT.	FC/0°	DIA.
4'	95	3.9
6'	42	5.9
8'	24	7.8
10'	15	9.8
12'	11	11.7

50% FC at edge

MTG. HT.	FC/0°	DIA.
4'	42	5.8
6'	19	8.7
8'	11	11.6
10'	7	14.5
12'	5	17.4

50% FC at edge

CP DISTRIBUTION



COEFFICIENTS OF UTILIZATION

	% CEILING 80 (20% FLOOR)		
	% WALL 70	50	30
0	89	89	89
1	85	83	82
2	82	79	76
3	79	75	72
4	75	70	67
5	72	67	63
6	69	63	59
7	66	59	55
8	62	56	52
9	59	52	48
10	54	47	43

	% CEILING 80 (20% FLOOR)		
	% WALL 70	50	30
0	88	88	88
1	82	80	77
2	77	73	69
3	72	66	62
4	67	60	54
5	62	54	49
6	58	49	44
7	54	45	39
8	50	41	35
9	46	37	32
10	42	32	27

NOTES

V6132.A30

1-32W triple tube
G24q-3 electronic socket
Total lumens: 2400
Spacing criteria: .9
Efficiency: 73.4%

V6132.A40

1-32W triple tube
G24q-3 electronic socket
Total lumens: 2400
Spacing criteria: 1.4
Efficiency: 78.8%