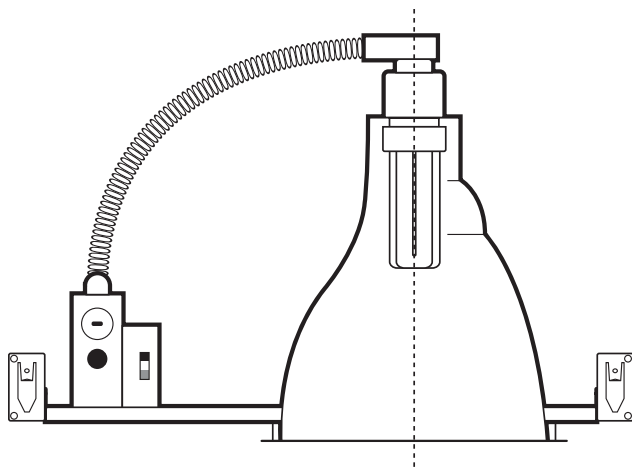


## 7.5" VERTICAL SINGLE LAMP DOWNLIGHT



Clear Alzak® Haze



Wheat Alzak® Haze



Black Baffle

### SPECIFICATION INFORMATION

#### HOUSING ASSEMBLY

- Pre-coated galvanized steel mounting frame and J-box.
- Telescopic bar hangers supplied, provides for off-center mounting on joists or T-bar.
- .063 aluminum lampholder securely fastens to reflector, provides thermally efficient operation.
- Self flange type trim for clean, contemporary appearance.
- Ground wire included (prewired).

#### TWIST LOCK SOCKET

- Push lamp in and twist clockwise to lock into place.
- Lamp will not fall out.
- Relamp with pole (with Changer accessory).

#### REFLECTOR

- Thirty degree (30°) or forty degree (40°) cutoff.
- Anodized, haze, durable and anti-iridescent.
- Finishes: **A**—Clear Alzak® Haze, and **G**—Wheat Alzak® Haze.

#### BALLAST

- Standard in universal voltage 120V through 277V.
- Thermally protected rapid start electronic ballasts use 4-pin lamps
- .99 power factor with THD<10%.
- End of lamp life protection.

#### ELECTRICAL

- Allows 4-in/4-out #12 AWG conductors rated at minimum 90° C.
- J-box and ballast are both accessible through fixture.
- U.L. listed for use in damp locations.

#### ACCESSORIES

- **AL**—acrylic food service lens
- **B**—black baffle
- **CHANGER** for re-lamp cup
- **P**—trim flange painted white
- **CP**—Chicago plenum
- **OT7.5**—white oversize trim ring (adds 5/8" to flange)
- **FS**—inline fuse

#### DIMMING

- Voltage *must* be specified.
- Controls lumen output down to ±5%.
- Compatible dimmers required for all ballasts.
- **D5** Advance Mark VII for 26W lamp.
- **D8** Lutron Hi-Lume for 26W lamp. Controls lumen output down to ±1%.
- **D9** Lutron Eco System for 26W lamp.

#### EMERGENCY

- Voltage *must* be specified.
- **EM** emergency power provides 650 lumens for one lamp for 90 minutes
- **EM13** emergency power provides 1300 lumens for one lamp for 90 minutes

### ORDERING INFORMATION

#### LAMP INFO

**1-26** 26W triple tube

#### 120V ELECTRONIC

**V7.5126.A30.1E** 26W 30°

**V7.5126.A40.1E** 26W 40°

#### 277V ELECTRONIC

**V7.5126.A30.2E** 26W 30°

**V7.5126.A40.2E** 26W 40°

### SUBMITTAL INFORMATION

**TYPE:**

**PROJECT:**

**NOTES:**

**DESCRIPTION:**

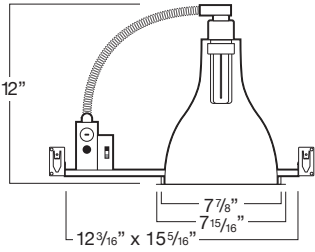
**DELRAY  
LIGHTING  
INCORPORATED**

**V7.5126**

BURBANK,  
CALIFORNIA,  
91505  
WWW.  
DELRAY  
LIGHTING.  
COM

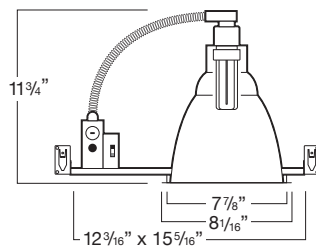
## CLEAR ALZAK 30°

### V7.5126.A30



## CLEAR ALZAK 40°

### V7.5126.A40



## CONE OF LIGHT

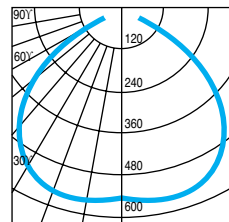
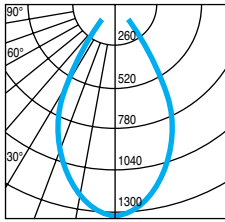
MTG. HT.	FC/0°	DIA.
4'	83	3.1
6'	37	4.6
8'	21	6.1
10'	13	7.7
12'	9	9.2

50% FC at edge

MTG. HT.	FC/0°	DIA.
4'	34	5.8
6'	15	8.7
8'	8	11.6
10'	5	14.5
12'	4	17.4

50% FC at edge

## CP DISTRIBUTION



## COEFFICIENTS OF UTILIZATION

	% CEILING 80 (20% FLOOR)		
	% WALL 70	50	30
0	71	71	71
1	69	67	66
2	66	63	61
3	63	60	57
4	61	57	54
5	58	53	50
6	55	51	48
7	53	48	45
8	50	45	42
9	48	43	39
10	46	40	37

	% CEILING 80 (20% FLOOR)		
	% WALL 70	50	30
0	94	94	94
1	88	85	83
2	82	77	74
3	77	71	66
4	71	64	58
5	66	58	52
6	61	53	47
7	57	48	42
8	53	43	37
9	49	40	34
10	44	35	29

## NOTES

### V7.5126.A30

1-26W triple tube  
G24q-3 electronic socket  
Total lumens: 1800  
Spacing criteria: .7  
Efficiency: 53.8%

### V7.5126.A40

1-26W triple tube  
G24q-3 electronic socket  
Total lumens: 1800  
Spacing criteria: 1.4  
Efficiency: 79.0%