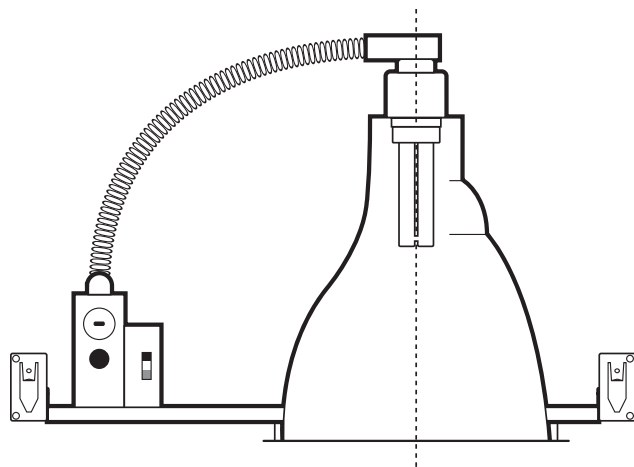


7.5" VERTICAL SINGLE LAMP DOWNLIGHT



Clear Alzak® Haze



Wheat Alzak® Haze



Black Baffle

SPECIFICATION INFORMATION

HOUSING ASSEMBLY

- Pre-coated galvanized steel mounting frame and J-box.
- Telescopic bar hangers supplied, provides for off-center mounting on joists or T-bar.
- .063 aluminum lampholder securely fastens to reflector, provides thermally efficient operation.
- Self flange type trim for clean, contemporary appearance.
- Ground wire included (prewired).

TWIST LOCK SOCKET

- Push lamp in and twist clockwise to lock into place.
- Lamp will not fall out.
- Relamp with pole (with Changer accessory).

REFLECTOR

- Thirty degree (30°) or forty degree (40°) cutoff.
- Anodized, haze, durable and anti-iridescent.
- Finishes: **A**—Clear Alzak® Haze, and **G**—Wheat Alzak® Haze.

BALLAST

- Standard in universal voltage 120V through 277V.
- Thermally protected rapid start electronic ballasts use 4-pin lamps
- .99 power factor with THD < 10%.
- End of lamp life protection.

ELECTRICAL

- Allows 4-in/4-out #12 AWG conductors rated at minimum 90° C.
- J-box and ballast are both accessible through fixture.
- U.L. listed for use in damp locations.

ACCESSORIES

- **AL**—acrylic food service lens
- **B**—black baffle
- **CHANGER** for re-lamp cup
- **P**—trim flange painted white
- **CP**—Chicago plenum
- **0T7.5**—white oversize trim ring (adds 5/8" to flange)
- **FS**—inline fuse

EMERGENCY

- Voltage *must* be specified.
- **EM** emergency power provides 650 lumens for one lamp for 90 minutes
- **EM13** emergency power provides 1300 lumens for one lamp for 90 minutes

ORDERING INFORMATION

LAMP INFO

1-13 13W quad tube

120V ELECTRONIC

V7.5113.A30.1E 13W 30°
V7.5113.A40.1E 13W 40°

277V ELECTRONIC

V7.5113.A30.2E 13W 30°
V7.5113.A40.2E 13W 40°

SUBMITTAL INFORMATION

TYPE:

PROJECT:

NOTES:

DESCRIPTION:

DELRAY
LIGHTING
 INCORPORATED

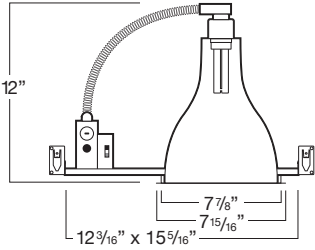
V7.5113

BURBANK,
 CALIFORNIA,
 91505
 WWW.
 DELRAY
 LIGHTING.
 COM

JULY 2008

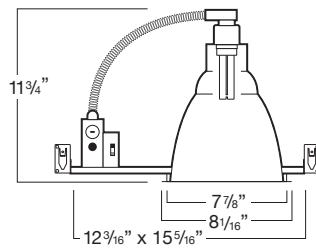
CLEAR ALZAK 30°

V7.5113.A30



CLEAR ALZAK 40°

V7.5113.A40



CONE OF LIGHT

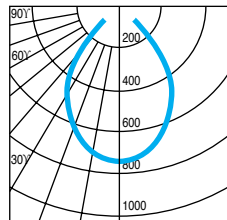
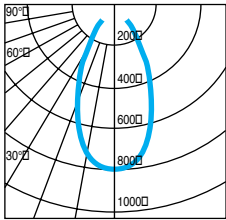
MTG. HT.	FC/0°	DIA.
4'	50	3.7
6'	21	5.5
8'	12	7.3
10'	8	9.2
12'	6	11.0

50% FC at edge

MTG. HT.	FC/0°	DIA.
4'	42	3.9
6'	19	5.9
8'	10	7.8
10'	7	9.8
12'	5	11.7

50% FC at edge

CP DISTRIBUTION



COEFFICIENTS OF UTILIZATION

% CEILING 80 (20% FLOOR)

% WALL 70	50	30
0	79	79
1	76	73
2	73	68
3	70	63
4	67	59
5	64	55
6	61	52
7	58	49
8	55	46
9	52	43
10	50	40

% CEILING 80 (20% FLOOR)

% WALL 70	50	30
0	84	76
1	81	71
2	77	66
3	73	62
4	69	58
5	66	54
6	62	50
7	59	47
8	57	45
9	55	43
10	53	39

NOTES

V7.5113.A30

1-13W quad tube
G24q-1 electronic socket
Total lumens: 900
Spacing criteria: .9
Efficiency: 67.9%

V7.5113.A40

1-13W quad tube
G24q-1 electronic socket
Total lumens: 900
Spacing criteria: .9
Efficiency: 79.0%