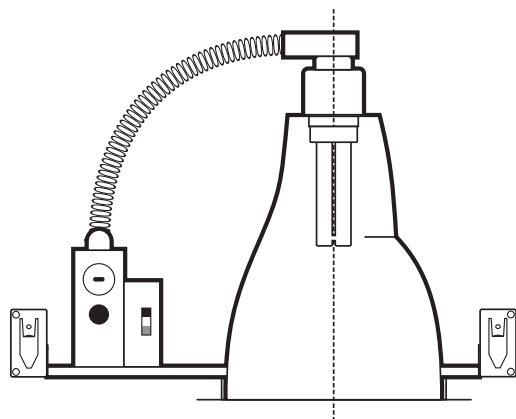


## 6" VERTICAL SINGLE LAMP DOWNLIGHT



Clear Alzak® Haze



Wheat Alzak® Haze



Black Baffle

### SPECIFICATION INFORMATION

#### HOUSING ASSEMBLY

- Pre-coated galvanized steel mounting frame and J-box.
- Telescopic bar hangers supplied, provides for off-center mounting on joists or T-bar.
- .063 aluminum lampholder securely fastens to reflector, provides thermally efficient operation.
- Self flange type trim for clean, contemporary appearance.
- Ground wire included (prewired).

#### REFLECTOR

- Thirty degree (30°) or forty degree (40°) cutoff.
- Anodized, haze, durable and anti-iridescent.
- Finishes: **A**—Clear Alzak® Haze, and **G**—Wheat Alzak® Haze.

#### BALLAST

- Standard in universal voltage 120V through 277V.
- Thermally protected rapid start electronic ballasts use 4-pin lamps
- .99 power factor with THD<10%.
- End of lamp life protection.

#### ELECTRICAL

- Allows 4-in/4-out #12 AWG conductors rated at minimum 90° C.
- J-box and ballast are both accessible through fixture.
- U.L. listed for use in damp locations.

#### ACCESSORIES

- **AL**—acrylic food service lens
- **B**—black baffle
- **CHANGER** for re-lamp cup
- **P**—trim flange painted white
- **CP**—Chicago plenum
- **OT6**—white oversize trim ring (adds 3/8" to flange)
- **FS**—inline fuse

#### EMERGENCY

- Voltage *must* be specified.
- **EM** emergency power provides 650 lumens for one lamp for 90 minutes
- **EM13** emergency power provides 1300 lumens for one lamp for 90 minutes

### ORDERING INFORMATION

#### LAMP INFO

**1-13** 13W quad tube

#### 120V ELECTRONIC

**V6113.A30.1E** 13W 30°  
**V6113.A40.1E** 13W 40°

#### 277V ELECTRONIC

**V6113.A30.2E** 13W 30°  
**V6113.A40.2E** 13W 40°

### SUBMITTAL INFORMATION

**TYPE:**

**PROJECT:**

**NOTES:**

**DESCRIPTION:**

**DELRAY  
LIGHTING  
INCORPORATED**

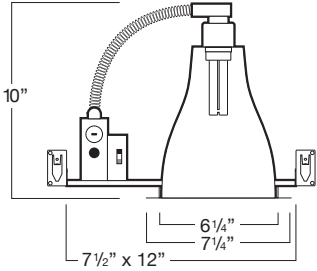
**V6113**

BURBANK,  
CALIFORNIA,  
91505  
WWW.  
DELRAY  
LIGHTING.  
COM

JULY 2008

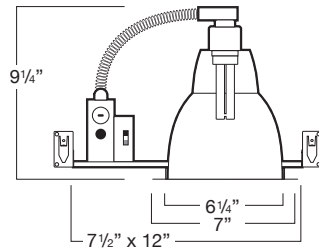
## CLEAR ALZAK 30°

### TV6113.A30



## CLEAR ALZAK 40°

### TV6113.A40



### CONE OF LIGHT

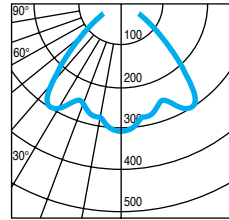
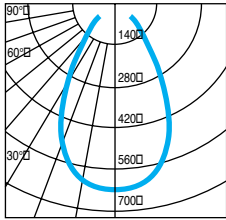
MTG. HT.	FC/0°	DIA.
4'	40	2.4
6'	18	3.7
8'	10	4.9
10'	6	6.1
12'	4	7.3

50% FC at edge

MTG. HT.	FC/0°	DIA.
4'	20	5.0
6'	9	7.5
8'	5	10.0
10'	3	12.5
12'	2	15.0

50% FC at edge

### CP DISTRIBUTION



### COEFFICIENTS OF UTILIZATION

#### % CEILING 80 (20% FLOOR)

% WALL	70	50	30
0	41	41	41
1	40	39	38
2	38	37	36
3	37	35	33
4	35	33	31
5	34	31	30
6	32	30	28
7	31	29	27
8	30	27	25
9	29	26	24
10	27	24	23

#### % CEILING 80 (20% FLOOR)

% WALL	70	50	30
0	60	60	60
1	57	56	55
2	55	53	51
3	52	50	47
4	50	46	44
5	47	44	41
6	45	41	38
7	43	38	35
8	40	36	33
9	38	33	30
10	34	29	26

### NOTES

#### V6113.A30

1-13 watt quad tube  
G24q-1 electronic socket  
Total lumens: 900  
Spacing criteria: .8  
Wheat Alzak CP x .9  
Efficiency: 32.2%

#### V6113.A40

1-13 watt quad tube  
G24q-1 electronic socket  
Total lumens: 900  
Spacing criteria: 1.2  
Wheat Alzak CP x .9  
Efficiency: 69.3%