

UNO INDIRECT LINEAR WHITE LED

DELRAY
LIGHTING
INCORPORATED

UNO LINEAR LED. INDIRECT

TYPE: _____ **ORDER NUMBER:** _____ **PROJECT:** _____

CONSTRUCTION

Aluminum extrusion with a matte anodized finish. DR acrylic frosted indirect lens.

Suspended with field-adjustable aircraft cable, with push-button glider. 8' gray 18 AWG power cord. Each fixture requires its own power feed.

cUL listed for dry locations.

LED DRIVERS

Constant voltage, 100W/24V universal for **SQ**-RGB DMX. 60W/12V driver for **Red** or **Blue** LEDs.

Electronic drivers, DMX and dimmer interface housed in canopy or remote gear box for easy access. Color LED options include **Red** and **Blue**, as well as **SQ**-RGB, controlled with a DMX 512 interface (**BDMXMOD**).

Optional wall box control offered separately (see Traxon, back page.)

cUL listed for dry locations.

WHITE LEDs

Nichia Corp. NFSL757 linear board chips. White color temperatures include **W30** (3000K), **W35** (3500K), and **W40** (4000K).

COLOR LEDS

- 12V single color LEDs (Red and Blue), 1.6W per ft.
- 24V **SQ**-RGB, 4.8W per ft.

cUL listed for dry locations.

CONTINUOUS RUNS

Start and Middle sections include joiner **UJ**, shown at right.

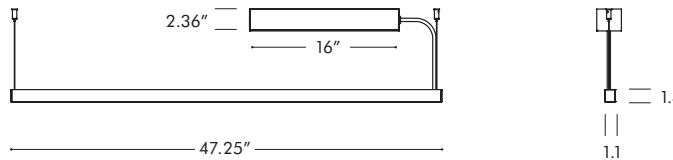
Model#	Finish	LEDs	Option	Other Options
UiL2 -2 ft.	S -Silver	Red	BDIM-W1	S100P
UiL3 -3 ft.	W -White	Blue	BDIM-W2	SLRD
UiL4 -4 ft.	K -Black	SQ -RGB	BDIM-W11	SLRDTB
UiL6 -6 ft.		W30	BDMXMOD	EM-120V
UiL8 -8 ft.		W35 W40		EM-277V

Example:

UiL8	S	W40	BDIM-W2	SLRD
------	---	-----	---------	------

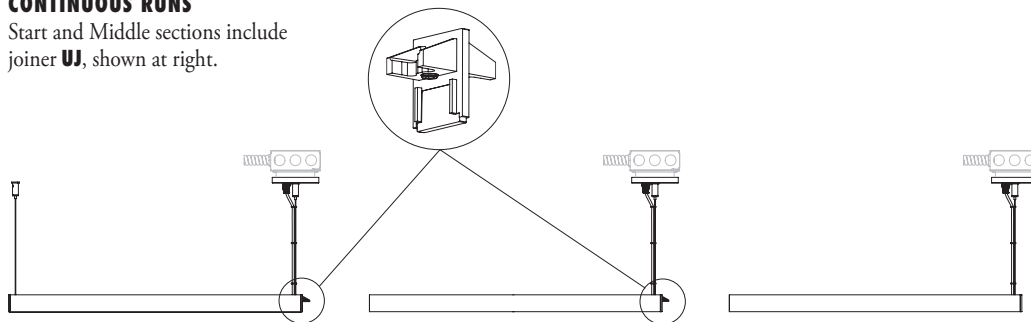
Continuous Run Length (ft.): _____

BTRAXW-Traxon Light Drive* (enter quantity): _____



UiL4 - 4 ft., 1250 lumens, 24W

LENGTHS AVAILABLE



Model #	Length	Wattage	Model #	Length	Wattage	Model #	Length	Wattage
UiLR2	2 ft.	12	UiLM2	2 ft.	12	UiLL2	2 ft.	12
UiLR3	3 ft.	18	UiLM3	3 ft.	18	UiLL3	3 ft.	18
UiLR4	4 ft.	24	UiLM4	4 ft.	24	UiLL4	4 ft.	24
UiLR6	6 ft.	36	UiLM6	6 ft.	36	UiLL6	6 ft.	36
UiLR8	8 ft.	48	UiLM8	8 ft.	48	UiLL8	8 ft.	48

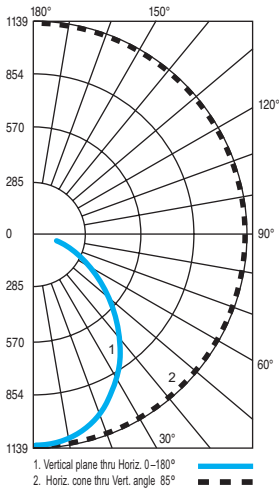
BURBANK,
CALIFORNIA,
91505
WWW.
DELRAY
LIGHTING.
COM

8' WHITE LED

UL8.W35



CP DISTRIBUTION



COEFFICIENTS

% CEILING 80 (20% FLOOR)	% WALL 70		
	50	30	
0	119	119	119
1	109	105	101
2	100	92	86
3	92	82	74
4	85	73	65
5	78	66	58
6	73	60	51
7	68	55	46
8	63	50	42
9	59	46	38
10	56	43	35

NOTES

UL8.W35

3500° K white LEDs
Total fixture lumens: 2,485

LM-79 - UL81.W35

Driver:	100W/24V UNV
Total Lumens:	2,485
Input Voltage (VAC/60Hz):	120
Input Power (W):	48
Input Power Factor:	pending
Efficacy:	52
CRI:	pending
Correlated Color Temp (°K):	pending

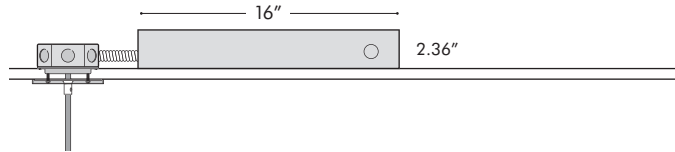
UNO REMOTE DRIVERS

Driver must be accessible after installation.

Multiple drivers must be mounted no less than 4 inches apart side-by-side, and 1 inch apart end-to-end, to avoid overheating.

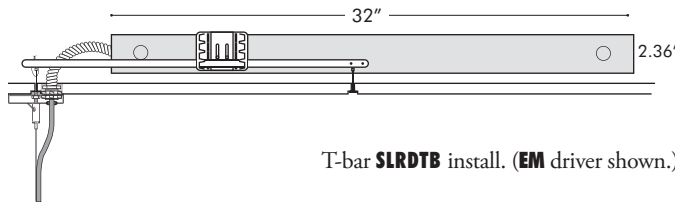
Standard pendant length: 8 ft. Specify **XP** for extra pendant.
Maximum canopy to fixture distance: 25 ft. Maximum canopy to driver distance: 100 ft. (with 10 AWG wire).

Standard **SLRD** install.



EM

Emergency battery pack provides 7W for 90 minutes. (12W also available.)
Remote install only. Red driver light and test switch mounted in handy box installed at ceiling. *Voltage must be specified.*



T-bar **SLRDTB** install. (**EM** driver shown.)

DRIVER HOUSING DIMENSIONS

Standard:
16" x 2.36"

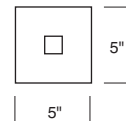
Standard **EM**:
32" x 2.36"

SS—Separate Switching:
32" x 2.36"

EM and SS:
32" x 2.36" plus 16" x 2.36"

OPTIONAL J-BOX COVER

Cover plate mounts to maximum 4" square J-box.
Driver housing mounts to wall on top of cover plate, which may be painted to match ceiling or wall, and includes two mounting spacers to offset cover thickness. Order **S100P**.



RED BRAIDED CORD

Red braided power cord.
Order **RBRD**.



ACRYLIC DIFFUSER CLEANING

Warning: Do not clean with ammonia based cleaners (e.g. Windex®). Use only water or cleaners specifically formulated for cleaning plastics.

AIRCRAFT CABLE

Note: Aircraft cable suspension not recommended for outdoor use, where fixture will be exposed to water, or subject to wind oscillation. Avoid use near HVAC vents and in environments with corrosive chemical vapors, such as swimming pools.

LED OPTIONS

DIMMING DRIVERS

- For white LEDs only.

BDIM-W1

- 0-10V dimming to 10%.
- Utilizes 100W/24V, 0-10V 120/277 constant voltage driver.
- Use with 0-10V, purple/gray wire analog dimmers; with low end trim pot, and adjust low end to above flicker threshold.

BDIM-W2

- 0-10V dimming to 1%.
- System utilizes 100W/24V, 120/277 constant voltage driver, with the Eldo LIN211D1-LN module.
- Required for use with digital architecture/networking systems like Acuity nLight, Eaton Greengate, and similar management systems.

BDIM-W11

- Lutron LD3096W24U dimming driver module.
- 0.1% dimming and fade-to-off, with Lutron dimming systems.
- For remote driver install only.

RGB OPTIONS

BDMXMOD

- Osram part no. OTDMXRGB supplied.
- DMX control interface for RGB LED.
- Provides DMX control with protocols that meet USITT DMX-512A or DMX512 (DIN 56930-2). No converter is required. DMX controls by others.
- A second 4-conductor control cable to fixture canopy is supplied.

TRAXON LIGHT-DRIVE RGB

(order separately)

BTRAXW—white controller

- Standalone, wall-mounted (12V power supply included) DMX controller for RGB LED that provides direct access to fixtures.
- Tune color and brightness with the Light-Drive wheel.
- Two sequence modes enable continuous replay of all saved color settings, as well as a preset color-phase function, which can be adjusted in replay speed.
- Fully dimmable white mode button.
- See www.traxon-usa.com for details.