

## STICK T5 SINGLE LAMP 2 FT. RAIL PENDANT



Shown with no trim (bare). For trim options, see back page.

**TYPE:**

**ORDER NUMBER:**

**PROJECT:**

<b>Model #</b>	<b>Voltage</b>	<b>Options*</b>		<b>Dimming*</b>	<b>Trim*</b>
	1-120V	<b>SMB</b>	<b>SAC</b>	<b>SD5</b>	
	2-277V	<b>SWRB</b>	<b>SFBS</b>	<b>SD8</b>	
		<b>SFBW</b>	<b>SPF4</b>	<b>SD9</b>	
				<b>SD11</b>	

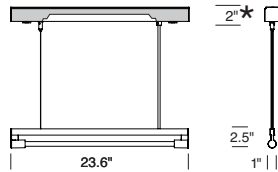
\*See back page for details.

Please review mounting info before ordering.

**Run Length:**  
(enter in multiples of 2 ft.)

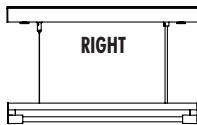
Standard	Length	Wattage
ST62114	2'	1-14
ST62124	2'	1-24

\*Rail parts ordered separately.

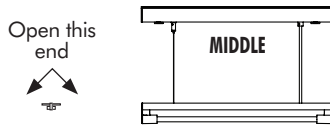


### STICK CONNECTING SECTIONS

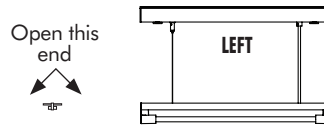
**STR** open on right side of cord



**STM** open on both ends



**STL** open on left side of cord



Rail Mount	Length	Wattage
STR62114	2'	1-14
STR62124	2'	1-24

Rail Mount	Length	Wattage
STM62114	2'	1-14
STM62124	2'	1-24

Rail Mount	Length	Wattage
STL62114	2'	1-14
STL62124	2'	1-24

**DELRAY  
LIGHTING  
INCORPORATED**

**ST6-2 ft.**

BURBANK,  
CALIFORNIA,  
91505  
WWW.  
DELRAY  
LIGHTING.  
COM

## STICK CONSTRUCTION

### INLINE RAIL PENDANT

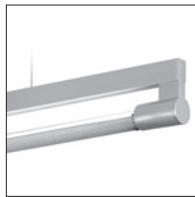
- ST62 is a 2' dual inline rail pendant fixture that can stand alone or be connected to other 8', 4', 3' or 2' Stick sections. (See connection order info on opposite side). Each section requires its own power feed.
- ST62 may be connected to a continuous overhead rail system.
- Zinc aluminum alloy and aluminum extrusion, with a matte anodized finish.

- Suspended with field-adjustable aircraft cable, with push-button glider.
- G5 twist-in lamp holders.
- 8' gray 18 AWG power cord.
- Standard output electronic ballasts are 120/277V, 50/60 Hz universal, in a remote housing.
- Back plate has a  $\frac{7}{8}$ " opening for direct conduit feed and is not intended for J-box mount.
- U.L. listed for damp locations.
- EM not available.

### TRIM OPTIONS



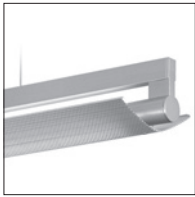
BARE



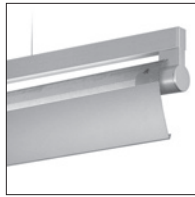
TRIM 11



TRIM 12



TRIM 13



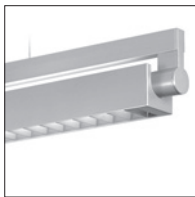
TRIM 17



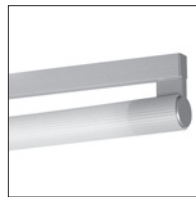
TRIM 18



TRIM 19



TRIM 20



TRIM 21



TRIM 22



TRIM 23



TRIM 30

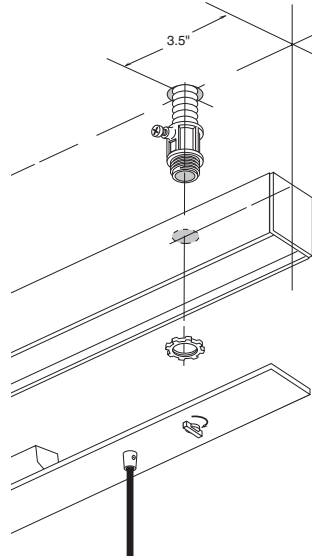
## OPTIONS

### DIMMING BALLASTS

Cat. #	Type	Wattage
SD5	Advance Mark VII	14
SD8	Lutron Hi Lume H3D	14/24
SD9	Lutron Eco System EC5	14/24
SD11	Lutron EcoSystem H-Series EHD	14/24

### BALLAST/RAIL MOUNT INFO

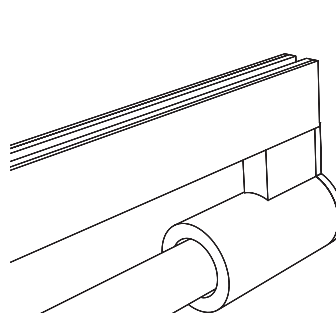
Stick ballast and rail housings are shipped with one opening for direct connection to conduit with a third party  $\frac{1}{2}$ " fitting (as shown below). To locate input power elsewhere, an alternate  $\frac{7}{8}$ " opening may be drilled at the job site anywhere along the top of the aluminum rail housing.



### CONTINUOUS MOUNT INFORMATION

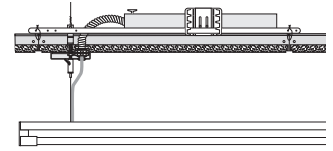
Stick features a sliding support cable at the end opposite the power cord, for those times when a straight shot to the ceiling isn't possible.

STJA—swivel connector rotates 240° and adds  $\frac{7}{16}$ " to the overall length.



### RECESSED BALLAST

For suspended ceilings only. Order **SWRB**.



### FLUSH MOUNT

22" flush mount ballast housing, for joist mount rough-in. Order **SFBS** (silver) or **SFBW** (white).

