

LUMA LED WITH ACRYLIC PRISMATIC REFRACTOR

DELRAY
LIGHTING
INCORPORATED

LUMA PRISMATIC LED



TYPE: _____ **ORDER NUMBER:** _____ **PROJECT:** _____

Model#	Ext. Finish	Refractor	LEDs	Lumens	Mount Type	Dimming/EM
IL791	K –Black	C –Clear	W30	L – 5,000	I –In-Line	BDIM-W9
	W –White	O –Opal	W35	M –10,000	P/RR	BDIM-W11
	S –Silver		W40	H –15,000	P/SR S/RR S/SR	EM7 EM12

Example:

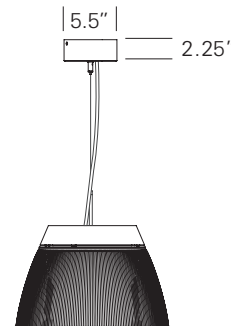
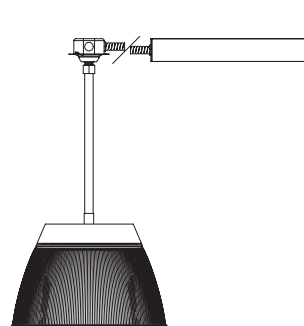
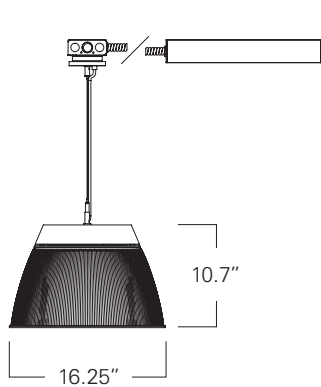
IL791	S	C	W30	H	P/RR	BDIM-W9
-------	---	---	-----	---	------	---------

- XP**–Extra power cord (total, in inches; max. 25 ft.): _____
- Specify **SR**–Stem Remote stem length (total, in inches): _____
- XL**–custom lumen reduction (specify lumens): _____

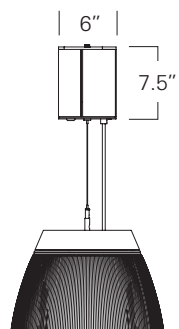
P/RR – Pendant Recessed Remote
P/SR – Pendant Surface Remote

S/RR – Stem Recessed Remote
S/SR – Stem Surface Remote

I – In-Line Driver
≤ 5000 lumens



I – In-Line Driver
> 5000 lumens



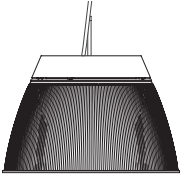
TOTAL / DELIVERED LUMENS, WATTS

Total Lumens	Delivered Lumens	Watts
L –5,000	3,264	32.23
M –10,000	6,528	64.5
H –15,000	9,792	96.7

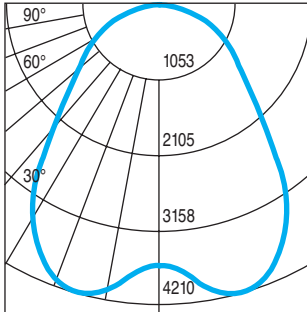
BURBANK,
CALIFORNIA,
91505
WWW.
DELRAY
LIGHTING.
COM

OPEN HIGH/LOW BAY

IL791SC.W35H



CP DISTRIBUTION



COEFFICIENTS

% CEILING 80 (20% FLOOR)			
% WALL	70	50	30
0	117	117	117
1	109	104	101
2	100	93	87
3	92	82	75
4	85	74	66
5	78	67	59
6	73	61	52
7	68	55	47
8	63	51	43
9	59	47	39
10	56	43	36

NOTES

IL791SC.W35H

Clear Prismatic Refractor
96.7W 3500° K LEDs
Total lumens: 15,000
Delivered lumens: 9,792
Efficacy: 100.2 lumens per watt

ACRYLIC DIFFUSER CLEANING

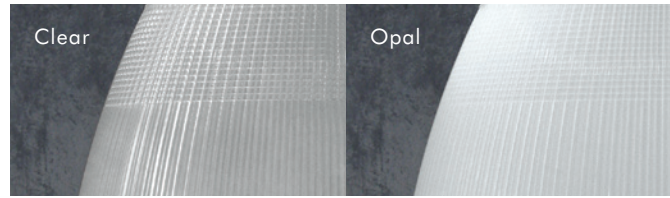
Warning: Do not clean with ammonia based cleaners (e.g. Windex®). Use only water or cleaners specifically formulated for cleaning plastics.

LUMA PRISMATIC LED

CONSTRUCTION

Convection vented die cast aluminum heat sink housing. The LEDs are enclosed in a frosted lens and, therefore, safe for food service applications without a supplemental aperture lens.

The acrylic prismatic defractor is available in **C**—Clear or **O**—Opal:



WHITE LEDs

Nichia Corp. NFSL757 tight bin chips on aluminum clad boards. White color temperature LEDs are **W30** (3000K), **W35** (3500K), or **W40** (4000K), rated 90CRI.

Drivers are programmable constant current, 0–10V, 1% dimming, standard.

CUSTOM LUMEN OUTPUT REDUCTION

Factory-set custom reduced-lumen output driver configuration. Order **XL**. *Specify lumens.*

cUL listed for damp locations.

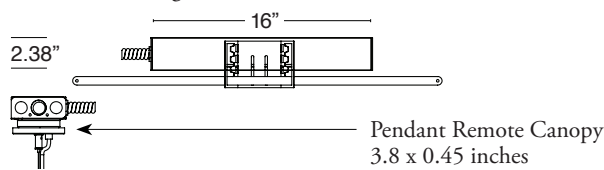
REMOTE DRIVERS

Driver must be accessible after installation. For suspended and hard lid ceilings with access panels.

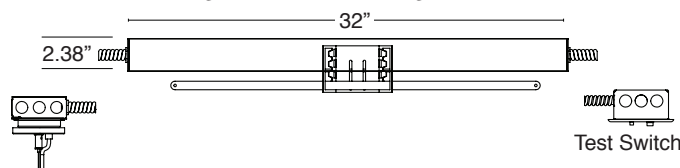
NOTE: Multiple drivers must be mounted no less than 4 inches apart side-by-side, and 1 inch apart end-to-end, to avoid overheating.

Standard pendant length: 8 ft. Specify **XP** for extra pendant. Maximum canopy to fixture distance: 25 ft. Maximum canopy to driver distance: 100 ft. (with 10 AWG wire).

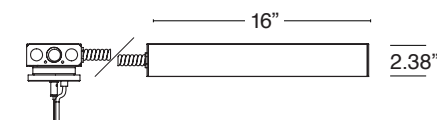
/RR—Above ceiling remote driver installation:



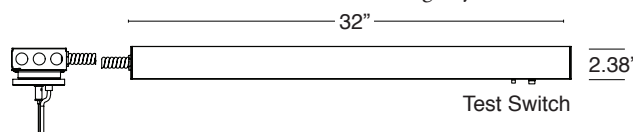
/RREM—Above-ceiling installation with emergency:



/SR—Surface mount installation:



/SREM—Surface mount installation with emergency:



OPTIONS

STANDARD DIMMING

Programmable, 0–10V, dims to 1%.

LUTRON DIMMING DRIVERS

BDIM-W9

- Lutron Hi-Lume L3DA Series, 3-wire
- Dims to 1%
- For 5,000 lumens only.

BDIM-W11

- Lutron EcoSystem LDE14 Series
- Dims to 1%
- Fade to off.
- For 5,000 lumens only.

CUSTOM LUMEN OUTPUT REDUCTION

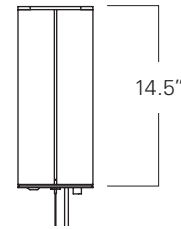
XL—Factory-set custom reduced-lumen output driver configuration. *Specify lumens.*

EMERGENCY

Voltage must be specified

EM7—7W for 90 minutes.

EM12—12W for 90 minutes.



HARD STEM MOUNT

1/2" ID hard stem option, supplied with swivel canopy for earthquake code, sloped ceilings, and indoor areas with light air movement (e.g., near HVAC vents). Pipe replaces power cord and cable. Length must be specified.

Pipe longer than 8 ft. will be shipped in two sections—one 8 ft., the other for the balance—with painted, threaded pipe coupler and set screws.



AIRCRAFT CABLE

Note: Aircraft cable suspension not recommended for outdoor use, where fixture will be exposed to water, or subject to wind oscillation. Avoid use near HVAC vents and in environments with corrosive chemical vapors, such as swimming pools.