

## LUMA LED WITH METAL REFLECTOR

**DELRAY**  
LIGHTING  
INCORPORATED

**LUMA METAL LED**



**TYPE:** \_\_\_\_\_ **ORDER NUMBER:** \_\_\_\_\_ **PROJECT:** \_\_\_\_\_

Model#	Ext. Finish	Int. Finish	LEDs	Lumens	Mount Type	Dimming/EM
<b>IL793</b>	<b>K</b> –Black	<b>W</b> –White	<b>W30</b>	<b>L</b> – 5,000	<b>I</b> –In-Line	<b>BDIM-W9</b>
	<b>W</b> –White	<b>G</b> –Gold	<b>W35</b>	<b>M</b> –10,000	<b>P/RR</b>	<b>BDIM-W11</b>
	<b>S</b> –Silver	<b>A</b> –Anodized	<b>W40</b>	<b>H</b> –15,000	<b>P/SR</b>	<b>EM7</b>
					<b>S/RR</b>	<b>EM12</b>

Example:

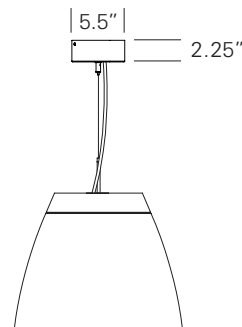
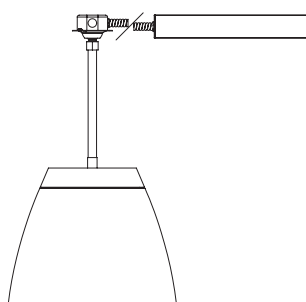
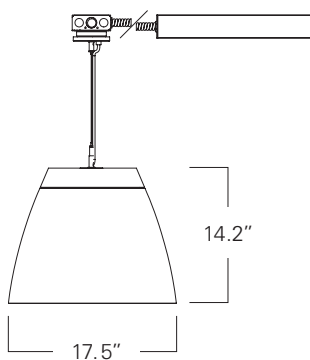
IL793	S	W	W30	H	P/RR	BDIM-W9
-------	---	---	-----	---	------	---------

- XP**–Extra power cord (total, in inches; max. 25 ft.): \_\_\_\_\_
- Specify **SR**–Stem Remote stem length (total, in inches): \_\_\_\_\_
- XL**–custom lumen reduction (specify lumens): \_\_\_\_\_

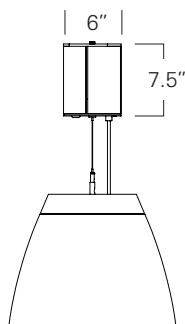
**P/RR** – Pendant Recessed Remote  
**P/SR** – Pendant Surface Remote

**S/RR** – Stem Recessed Remote  
**S/SR** – Stem Surface Remote

**I** – In-Line Driver  
≤5000 lumens



**I** – In-Line Driver  
>5000 lumens



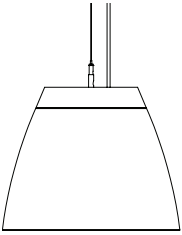
### TOTAL / DELIVERED LUMENS, WATTS

Total Lumens	Delivered Lumens	Watts
<b>L</b> –5,000	2,762	32.3
<b>M</b> –10,000	5,524	64.6
<b>H</b> –15,000	8,286	96.9

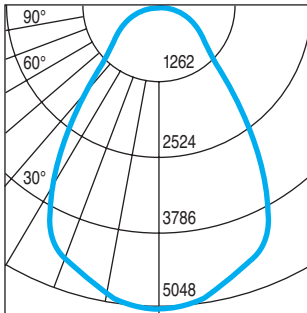
BURBANK,  
CALIFORNIA,  
91505  
WWW.  
DELRAY  
LIGHTING.  
COM

## OPEN HIGH/LOW BAY

### IL793SW.W35H



### CP DISTRIBUTION



### COEFFICIENTS

% CEILING 80 (20% FLOOR)	% WALL		
	70	50	30
0	119	119	119
1	110	107	103
2	102	96	90
3	95	86	80
4	88	78	71
5	83	72	64
6	77	66	58
7	72	61	53
8	68	56	49
9	64	52	45
10	60	49	42

### NOTES

**IL793SW.W35H**  
 96.9W 3500° K LEDs  
 White Interior Reflector  
 Total lumens: 15,000  
 Delivered lumens: 8,286  
 Efficacy: 85.5 lumens per watt

## LUMA METAL LED

### CONSTRUCTION

Convection vented die cast aluminum heat sink housing. Spun .063 aluminum reflector. The LEDs are enclosed in a frosted lens and, therefore, safe for food service applications without a supplemental aperture lens.

Specify interior reflector finish:

**W**—White, diffused **G**—Gold **A**—Anodized

### WHITE LEDs

Nichia Corp. NFSL757 tight bin chips on aluminum clad boards. White color temperature LEDs are **W30** (3000K), **W35** (3500K), or **W40** (4000K), rated 90CRI.

Drivers are programmable constant current, 0–10V, 1% dimming, standard.

cUL listed for damp locations.

### CUSTOM LUMEN OUTPUT REDUCTION

Factory-set custom reduced-lumen output driver configuration. Order **XL**. *Specify lumens.*

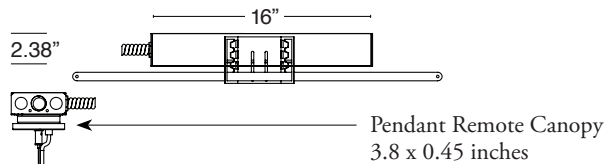
## REMOTE DRIVERS

Driver must be accessible after installation. For suspended and hard lid ceilings with access panels.

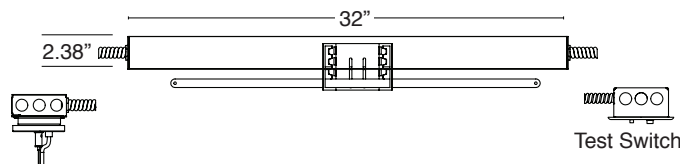
**NOTE:** Multiple drivers must be mounted no less than 4 inches apart side-by-side, and 1 inch apart end-to-end, to avoid overheating.

Standard pendant length: 8 ft. Specify **XP** for extra pendant. Maximum canopy to fixture distance: 25 ft. Maximum canopy to driver distance: 100 ft. (with 10 AWG wire).

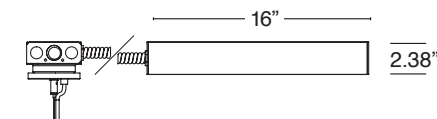
**/RR**—Above ceiling remote driver installation:



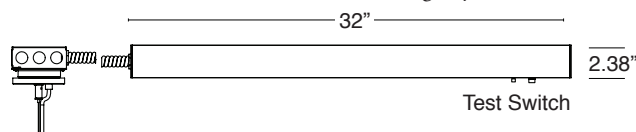
**/RREM**—Above-ceiling installation with emergency:



**/SR**—Surface mount installation:



**/SREM**—Surface mount installation with emergency:



## OPTIONS

### STANDARD DIMMING

Programmable, 0–10V, dims to 1%.

### LUTRON DIMMING DRIVERS

#### BDIM-W9

- Lutron Hi-Lume L3DA Series, 3-wire
- Dims to 1%
- *For 5,000 lumens only.*

#### BDIM-W11

- Lutron EcoSystem LDE14 Series
- Dims to 1%
- Fade to off.
- *For 5,000 lumens only.*

### CUSTOM LUMEN OUTPUT REDUCTION

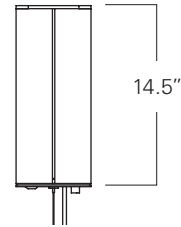
**XL**—Factory-set custom reduced-lumen output driver configuration. *Specify lumens.*

### EMERGENCY

*Voltage must be specified*

**EM7**—7W for 90 minutes.

**EM12**—12W for 90 minutes.



## HARD STEM MOUNT

1/2" ID hard stem option, supplied with swivel canopy for earthquake code, sloped ceilings, and indoor areas with light air movement (e.g., near HVAC vents). Pipe replaces power cord and cable. Length must be specified.

Pipe longer than 8 ft. will be shipped in two sections—one 8 ft., the other for the balance—with painted, threaded pipe coupler and set screws.



## AIRCRAFT CABLE

**Note:** Aircraft cable suspension not recommended for outdoor use, where fixture will be exposed to water, or subject to wind oscillation. Avoid use near HVAC vents and in environments with corrosive chemical vapors, such as swimming pools.