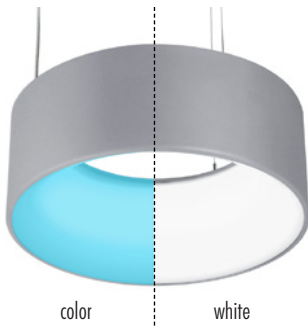


## CYLINDRO WHITE LED WITH OPAL ACRYLIC DIFFUSER

**DELRAY**  
LIGHTING  
INCORPORATED

**CYLINDRO 650**



color white

### TYPE:

### PROJECT:

### ORDER NUMBER:

Model#	LEDs	Voltage	Option	Downlight
<b>6511.LO</b> Central	<b>W30</b>	<b>1-120V</b>	<b>BDIM-W11</b>	<b>BMR16LED</b>
<b>6521.HO</b> Central	<b>W35</b>	<b>2-277V</b>		
<b>6512.LO</b> Separate	<b>W40</b>			
<b>6522.HO</b> Separate				
<b>6501</b>	<b>Red</b>	<b>1-120V</b>		
<b>6502</b>	<b>Blue</b>	<b>2-277V</b>		
	<b>SQ-RGB</b>			

### Example:

6521.HO	W35	1	BDIM-W11	BMR16LED
---------	-----	---	----------	----------

- BTRAXW**—Traxon Light Drive, white (order separately) Enter quantity: \_\_\_\_\_
- RBRD**—red braided cord (see 2nd page).

### CYLINDRO PENDANT

- Canopy mounts to standard 3" mud ring
- Available in separate or central mount (see drawings, right).
- Aluminum housing unlocks with a screw for servicing.
- 6' standard pendant, with push button adjustable aircraft cable.
- Silver finish, with gray power cord and opal acrylic diffuser.
- Optional low voltage downlights available, for task lighting.
- cU.L. Listed for damp locations.

### WHITE LEDs

- Nichia Corp. NFSL757 tight bin chips on aluminum clad boards. 90 CRI.
- **W30** (3000K), **W35** (3500K), and **W40** (4000K) white color temperatures.
- Drivers are programmable constant current, 0-10V, 1% dimming, standard.

### CUSTOM LUMEN OUTPUT REDUCTION

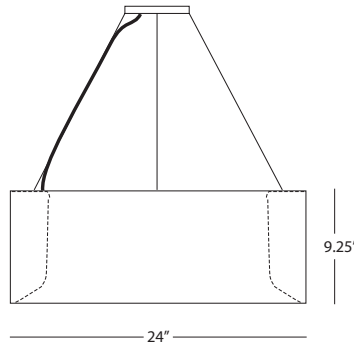
- Factory set custom reduced-lumen output driver configuration. Order **XL**. Specify lumens.

### COLOR LEDs

- **Red** and **Blue** are tapelight, using one 12V constant voltage driver. **SQ-RGB** are Nichia custom boards, using one 100W, 24V constant voltage driver and Eldo DMX interface.
- Optional DMX wall box control offered separately (see Traxon, page 2.)

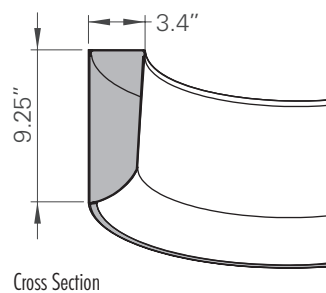
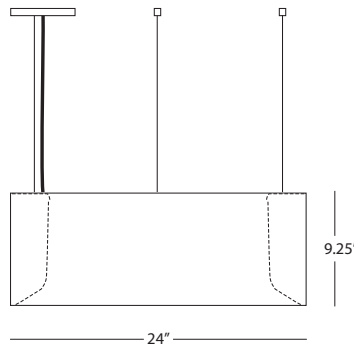
### Central Mount:

- 6511-LO**—White
- 6521-HO**—White
- 6501-Red, Blue, SQ-RGB**



### Separate Mount:

- 6512-LO**—White
- 6522-HO**—White
- 6502-Red, Blue, SQ-RGB**



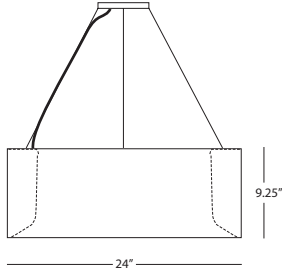
Cross Section

BURBANK,  
CALIFORNIA,  
91505  
WWW.  
DELRAY  
LIGHTING.  
COM

MAR 2018

## LED-HO

### 6521.W35



## WATTS / LUMENS

Diameter	Watts	Total Lumens	Delivered Lumens
2' LO	34	5,860	2,480
2' HO	50	8,750	3,700

## OPTIONS

### DRIVER

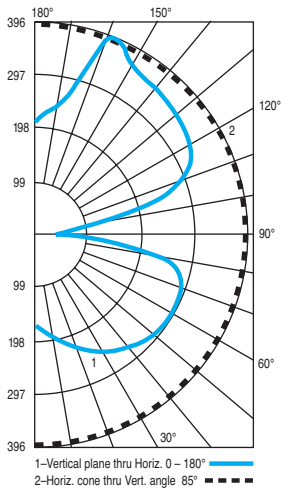
Supplied standard with 0–10V programmable, 1% dimming, 120/277V, 50/60 Hz.

### OPTIONAL DRIVER

#### BDIM-W11

- Lutron EcoSystem LDE14 Series
- Dims to 1%
- Fade to off.

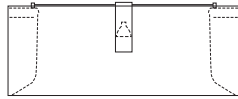
## CP DISTRIBUTION



## DOWNLIGHTS

### BMR16LED – 3.3W LED Downlight

- 9W max.
- Uses LED MR16, DC 12V, GU5.3 lamps (by others).
- Downlight does not dim.



## RED BRAIDED CORD

Red braided power cord. Order **RBRD**.



## TRAXON LIGHT DRIVE

(order separately)

### BTRAXW – white faceplate

- Standalone, wall-mounted (12V power supply included) DMX controller for RGB LED that provides direct access to fixtures.
- Tune color and brightness with the Light-Drive wheel.
- Fully dimmable white mode button.
- See [www.traxon-usa.com](http://www.traxon-usa.com) for details.

## COEFFICIENTS

% CEILING 80 (20% FLOOR)	70	50	30
0	107	107	107
1	95	89	84
2	85	76	68
3	76	65	56
4	69	57	48
5	63	50	41
6	57	44	35
7	53	39	31
8	49	36	27
9	45	32	24
10	42	29	22

## AIRCRAFT CABLE

**Note:** Aircraft cable suspension not recommended for outdoor use, where fixture will be exposed to water, or subject to wind oscillation. Avoid use near HVAC vents and in environments with corrosive chemical vapors, such as swimming pools.

## ACRYLIC DIFFUSER CLEANING

**Warning:** Do not clean with ammonia based cleaners (e.g. Windex®). Use only water or cleaners specifically formulated for cleaning plastics.

## NOTES

### 6521.W35

3500° K White LEDs  
Delivered Lumens: 3,700  
CRI: 90.0

### RGB CANOPY

