

# CYLINDRO II LED CORNER SCONCE WITH OPAL ACRYLIC DIFFUSER

**DELRAY  
LIGHTING  
INCORPORATED**

**B6743**



**TYPE:**

**PROJECT:**

**ORDER NUMBER:**

Model#	Finish	LEDs	Option
<b>B6743</b>	<b>S</b> –Silver	<b>Red</b>	<b>BDMXMOD</b>
Color	<b>W</b> –White	<b>Blue</b>	
	<b>K</b> –Black	<b>SQ</b> –RGB seq.	
	<b>CC</b> –Custom		
	RAL color		

<b>B6743</b>	<b>W30</b>	<b>BDIM-W11</b>
White	<b>W35</b>	
	<b>W40</b>	

**Example:**

B6743	S	W35	BDIM-W11
-------	---	-----	----------

**BTRAXW**–Traxon Light Drive, white\* (order separately) Enter quantity: \_\_\_\_\_

**B6743 R/B**  
Red, Blue LEDs

**B6743 W30 / W35 / W40**  
White LEDs

**B6743 RGB SQ**  
RGB sequencer

## MOUNT

- Mounts to two single gang handy boxes, power to exterior right side only.

## CONSTRUCTION

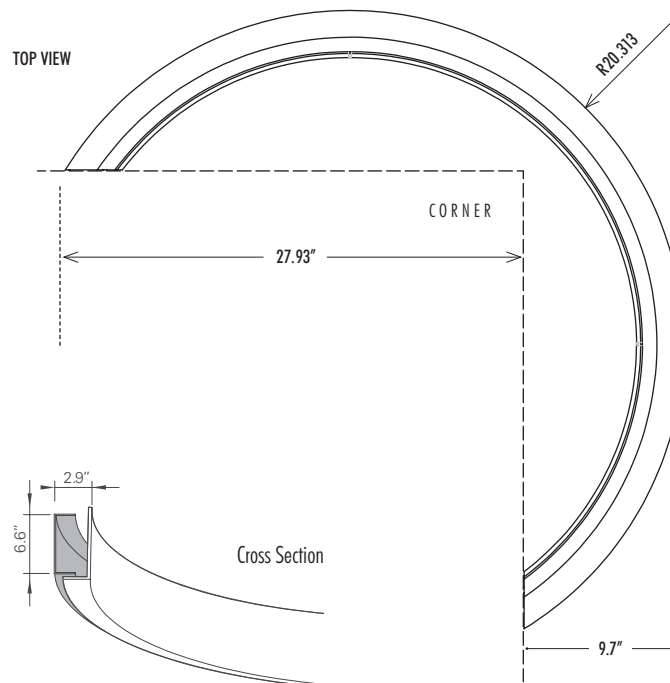
- Extruded aluminum outer housing with white frosted acrylic diffuser.
- cUL listed for dry locations only.

## WHITE LEDs

- Nichia Corp. NFSL757 linear board chips, available in 6W per foot (**LO**–Low Output), or 11.2W per foot (**HO**–High Output). 90 CRI.
- **W30** (3000K), **W35** (3500K), and **W40** (4000K) white color temperatures.
- Drivers are programmable constant current, 0–10V, 1% dimming, standard.

## COLOR LEDs

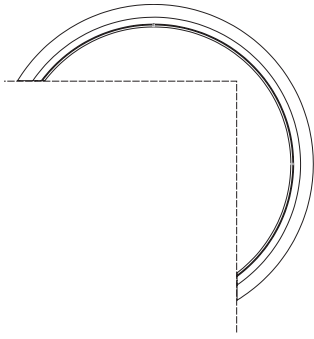
- **Red, Blue or SQ**–RGB flexible 5050 tapelights.
- Constant voltage drivers are 12V for single color, 24V for RGB sequencer.
- RGB sequencer requires **BDMXMOD** DMX 512 interface.
- Optional DMX wall box control offered separately (see Traxon, page 2.)



BURBANK,  
CALIFORNIA,  
91505  
WWW.  
DELRAY  
LIGHTING.  
COM

## LED

### B6743.W30



### CP DISTRIBUTION

Pending

## COEFFICIENTS

Pending

## NOTES

**B6743.W30**  
 219W LED strip, 3000°K  
 CRI: 90.0  
 R9 ≥ 50.0

LM-79 - B6743.W35

Pending

## OPTIONS

### RGB INTERFACE CONTROL OPTIONS

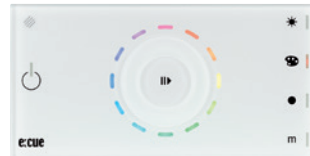
#### BDMXMOD

- Osram part no. OTDMXRGB supplied.
- DMX control interface for RGB LED.
- Provides DMX control with protocols that meet USITT DMX-512A or DMX512 (DIN 56930-2). No converter is required. DMX controls by others.
- A second 4-conductor control cable to fixture canopy is supplied.

#### TRAXON LIGHT-DRIVE RGB (order separately)

##### BTRAXW—white faceplate

- Standalone, wall-mounted (12V power supply included)
- DMX controller for RGB LED that provides direct access to fixtures.
- Tune color and brightness with the Light-Drive wheel.
- Fully dimmable white mode button.
- See [www.traxon-usa.com](http://www.traxon-usa.com) for details.



### DIMMING DRIVERS

**D**—standard supplied driver. Programmable, 0–10V, 120/277V, 50/60 Hz, 1% dimming.

#### OPTIONAL DRIVER

##### BDIM-W11

- Lutron EcoSystem LDE14 Series
- Dims to 1%
- Fade to off.

#### Max. Wiring Distance (at full load)

Wire Size (AWG)	Distance (ft.)
18	18
16	29
14	46
12	71
10	120

#### REMOTE DRIVER MOUNT

Multiple drivers must be mounted no less than 4 inches apart side-by-side, and 1 inch apart end-to-end, to avoid overheating.

### ACRYLIC DIFFUSER CLEANING

**Warning:** Do not clean with ammonia based cleaners (e.g. Windex®). Use only water or cleaners specifically formulated for cleaning plastics.