

CYLINDRO II LED CORNER SCONCE WITH OPAL ACRYLIC DIFFUSER

**DELRAY
LIGHTING
INCORPORATED**

B6733



TYPE:

PROJECT:

ORDER NUMBER:

Model#	Finish	LEDs	Option
B6733	S –Silver	Red	BDMXMOD
Color	W –White	Blue	
	K –Black	SQ –RGB seq.	
	CC –Custom		
	RAL color		

B6733	W30	BDIM-W9
White	W35	BDIM-W11
	W40	

Example:

B6733	S	W35	BDIM-W9
-------	---	-----	---------

BTRAXW–Traxon Light Drive, white* (order separately) Enter quantity: _____

B6733 R/B
Red, Blue LEDs

B6733 W30/W35/W40
White LEDs

B6733 RGB SQ
RGB sequencer

MOUNT

- Mounts to two single gang handy boxes, power to exterior right side only.

CONSTRUCTION

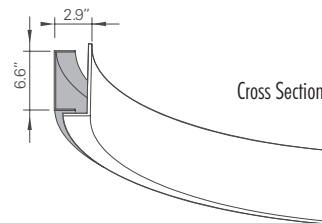
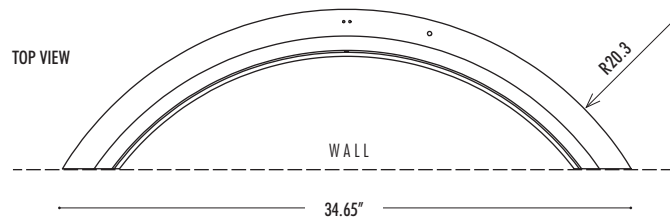
- Extruded aluminum outer housing with white frosted acrylic diffuser.
- cUL listed for dry locations only.

WHITE LEDs

- Nichia Corp. NFSL757 linear board chips, available in 6W per foot (**LO**–Low Output), or 11.2W per foot (**HO**–High Output). 90 CRI.
- **W30** (3000K), **W35** (3500K), and **W40** (4000K) white color temperatures.
- Drivers are programmable constant current, 0–10V, 1% dimming, standard.

COLOR LEDs

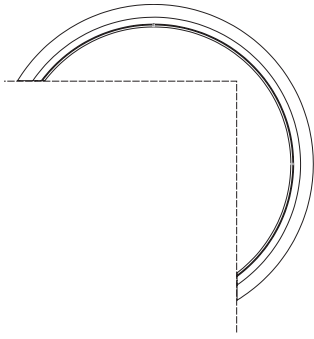
- **Red**, **Blue** or **SQ**–RGB flexible 5050 tapelights.
- Constant voltage drivers are 12V for single color, 24V for RGB sequencer.
- RGB sequencer requires **BDMXMOD** DMX 512 interface.
- Optional DMX wall box control offered separately (see Traxon, page 2.)



BURBANK,
CALIFORNIA,
91505
WWW.
DELRAY
LIGHTING.
COM

LED

B6733.W30



CP DISTRIBUTION

Pending

COEFFICIENTS

Pending

NOTES

B6733.W30

219W LED strip, 3000°K
 Total lumens: *pending*
 CRI: 90.0
 R9 ≥ 50.0

LM-79 - B6733.W35

Pending

OPTIONS

RGB INTERFACE CONTROL OPTIONS

BDMXMOD

- Osram part no. OTDMXRGB supplied.
- DMX control interface for RGB LED.
- Provides DMX control with protocols that meet USITT DMX-512A or DMX512 (DIN 56930-2). No converter is required. DMX controls by others.
- A second 4-conductor control cable to fixture canopy is supplied.

TRAXON LIGHT-DRIVE RGB (order separately)

BTRAXW—white faceplate

- Standalone, wall-mounted (12V power supply included) DMX controller for RGB LED that provides direct access to fixtures.
- Tune color and brightness with the Light-Drive wheel.
- Fully dimmable white mode button.
- See www.traxon-usa.com for details.



DIMMING DRIVERS

120/277V, 50/60 Hz.

STANDARD DIMMING

Programmable, 0–10V, dims to 1%.

LUTRON DIMMING DRIVERS

BDIM-W9

- Lutron Hi-Lume L3DA Series, 3-wire
- Dims to 1%

BDIM-W11

- Lutron EcoSystem LDE14 Series
- Dims to 1%
- Fade to off.

Max. Wiring Distance (at full load)

Wire Size (AWG)	Distance (ft.)
18	18
16	29
14	46
12	71
10	120

REMOTE DRIVER MOUNT

Multiple drivers must be mounted no less than 4 inches apart side-by-side, and 1 inch apart end-to-end, to avoid overheating.

ACRYLIC DIFFUSER CLEANING

Warning: Do not clean with ammonia based cleaners (e.g. Windex®). Use only water or cleaners specifically formulated for cleaning plastics.