

STICK COMPLETA² SEAMLESS LED

**DELRAY
LIGHTING
INCORPORATED**

TYPE: _____ **ORDER NUMBER:** _____

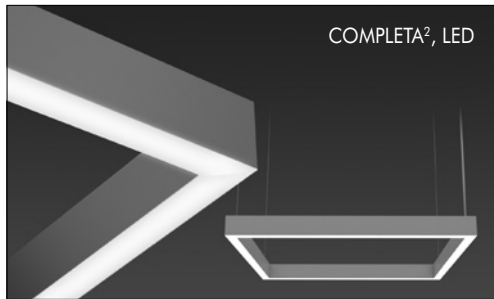
PROJECT: _____

| Model | Size | LED | Options* | Other Options* |
|----------------|------------|------------|----------------|----------------|
| C2L-LED | 2x2 | W30 | EM | SLRD |
| | 2x3 | W35 | D11 | S100P |
| | 2x4 | W40 | | |
| | 3x3 | | | |
| | 3x4 | | | |
| | 4x4 | | | |
| | | R | BDMXMOD | |
| | | B | | |
| | | SQ | | |

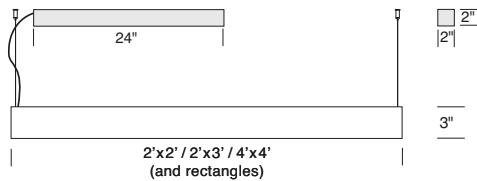
Please review mounting info before ordering.

- Continuous Run Length (ft.): _____
- BTRAXW**—Traxon Light Drive* (enter quantity): _____
 - XP**—Extra power cord (in inches; max. 25 ft.): _____
 - RBRD**—red braided cord (in inches; max. 25 ft.): _____

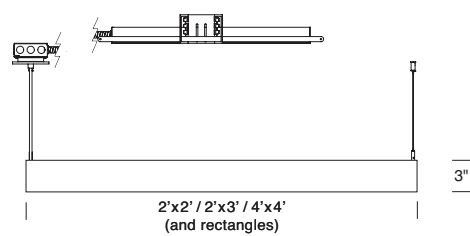
*See page 2 for details.



C2L-LED, Pendant Mount



C2L-LED, SLRD Mount



COMPLETA² LED SQUARES

**BURBANK,
CALIFORNIA,
91505
WWW.
DELRAY
LIGHTING.
COM**

4' X 4' LED

C2L4X4W40

Pending

CP DISTRIBUTION

COEFFICIENTS

Pending

NOTES

C2L4X4W40

Seamless LED
Wattage: 80 (4.5W per ft.)
Delivered lumens: 6,550
CRI: 90.0
R9 ≥ 50.0

LM-79 - C2L4X4W40

| | |
|---------------------------|---------|
| Driver: | 80W |
| Delivered Lumens: | 6,550 |
| Input Voltage (VAC/60Hz): | 120/277 |
| Input Power (W): | 80W |
| Input Power Factor: | 99 |
| Efficacy: | 51.09 |
| CRI: | 90.00 |
| Correlated Color Temp. | 3741 |

STICK COMPLETA² CONSTRUCTION

GEOMETRIC PENDANT

- *Completa²* is a stand alone 2', 3', or 4' square or rectangular pendant fixture. Each fixture requires its own power feed.
- Aluminum extrusion with a matte anodized finish, mitred corners.
- Suspended with field-adjustable aircraft cable, with push-button glider.
- 8' gray or white 18 AWG power cord. Each fixture requires its own power feed. For extra cord, order **XP** (max. 25 ft.).
- Frosted DR acrylic lens, mitred corners.

WHITE LEDS

- Nichia Corp. NFSL757 linear board chips, available in 4.5W per foot (**LO**—Low Output), or 6.75W per foot (**HO**—High Output).
- White color temperatures include **W30** (3000K), **W35** (3500K) and **W40** (4000K).
- CRI: 90.0
- R9 ≥ 50.0

COLOR LEDS

- 12V single color LEDs (**R**ed and **B**lue), 1.6W per ft.
- 24V **SQ**—RGB, 4.8W per ft., controlled with DMX 512 interface (see BDMXMOD, back page). Optional wall box control, offered separately (Traxon, below, right).

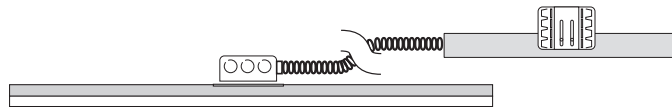
RECESSED DRIVER

Driver must be accessible after installation.

Multiple drivers must be mounted no less than 4 inches apart side-by-side, and 1 inch apart end-to-end, to avoid overheating.

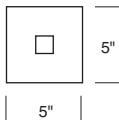
Standard pendant length: 8 ft. Specify **XP** for extra pendant. Maximum canopy to fixture distance: 25 ft. Maximum canopy to driver distance: 100 ft. (with 10 AWG wire).

Order **SLRD**.



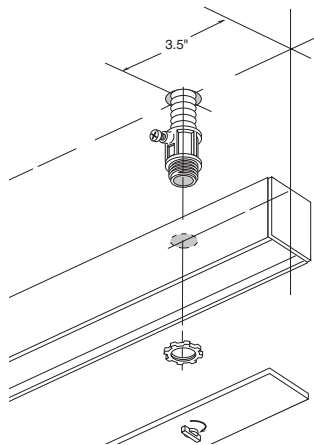
OPTIONAL J-BOX COVER

Cover plate mounts to maximum 4" square J-box. Driver housing mounts to wall on top of cover plate, which may be painted to match ceiling or wall, and includes two mounting spacers to offset cover thickness. Order **S100P**.



DRIVER INFO

Completa driver is shipped with one opening for direct connection to conduit with a third party 1/2" fitting (as shown below).



RED BRAIDED CORD

Red braided power cord. Order **RBRD**.



LED OPTIONS

DRIVERS

STANDARD DRIVER

- Constant current
- 120/277V, 50/60 Hz
- Programmable 0–10V
- Dims to 1%

DIMMING

BDIM-W9

- Lutron Hi-Lume L3DA Series, 3-wire
- Dims to 1%

BDIM-W11

- Lutron EcoSystem LDE1 Series
- Dims to 1%
- Fade to off.

EMERGENCY BATTERY PACK

Ignites LEDs for 90 minutes. Adds additional length to driver housing. *Voltage must be specified.*

EM7—7W for 90 minutes.

EM12—12W for 90 minutes.

RGB OPTIONS

BDMXMOD

- Osram part no. OTDMXRGB supplied.
- DMX control interface for RGB LED.
- Provides DMX control with protocols that meet USITT DMX-512A or DMX512 (DIN 56930-2). No converter is required. DMX controls by others.
- A second 4-conductor control cable to fixture canopy is supplied.

BTRAXW—white faceplate

- Standalone, wall-mounted (12V power supply included) DMX controller for RGB LED that provides direct access to fixtures.
- Tune color and brightness with the Light-Drive wheel.
- Fully dimmable white mode button.
- See www.traxon-usa.com for details.

